



ສາທາລະນະລັດ ປະຊາທິປະໄຕ ປະຊາຊົນລາວ
LAO PEOPLE'S DEMOCRATIC REPUBLIC

ກະຊວງ ອຸດສາຫະກຳ ແລະ ການຄ້າ
ກົມຊັບສິນທາງປັນຍາ

MINISTRY OF INDUSTRY AND COMMERCE
DEPARTMENT OF INTELLECTUAL PROPERTY

ຈົດໝາຍເຫດທາງລັດຖະການ
ກ່ຽວກັບ ຊັບສິນທາງປັນຍາ
ຢູ່ ສປປ ລາວ

OFFICIAL GAZETTE ON INTELLECTUAL PROPERTY
IN LAO PDR

ສະບັບທີ (Vol.) 155

ພາກທີ I

(Part I)

ສິດທິບັດ ແລະ ອະນຸສິດທິບັດ (Patent and Petty Patent)

1. ຄໍາຮ້ອງ (Applications)

ຄໍາອະທິບາຍກ່ຽວກັບລະຫັດຫຍໍ້ (Introduction of Codes)

- (21) ເລກທີ ຄໍາຮ້ອງ (Filing Number)
- (22) ວັນທີ ຍືນຄໍາຮ້ອງ (Filing Date)
- (30) ວັນທີ ບຸລິມະສິດ (Priority Date)
- (43) ວັນທີເຜີຍແຜ່ (Publication Date)
- (51) ໝວດ (International Patent Classification)
- (54) ຊື່ຂອງການປະດິດ (Title)
- (57) ບົດຄັດຫຍໍ້ (Abstract)
- (71) ຊື່ ແລະ ທີ່ຢູ່ ເຈົ້າຂອງສິດທິບັດ ແລະ ອະນຸສິດທິບັດ (Owner Name and Address)
- (72) ຊື່ຜູ້ປະດິດ (Inventor Name)
- (74) ຊື່ຕົວແທນ (Representative Name)
- (55) ຮູບຟາບ (Pictures)

ພາກທີ I (Part I)

ສິດທິບັດ ແລະ ອະນຸສິດທິບັດ (Patent and Petty Patent)

2. ຜົນການອອກສິດທິບັດ ແລະ ອະນຸສິດທິບັດ (Grant of Patents and Petty Patents)

ຄຳອະທິບາຍກ່ຽວກັບລະຫັດຫຍໍ້ (Introduction of Codes)

- (11) ເລກທິ (Grant Number)
- (21) ເລກທິ ຄຳຮ້ອງ (Filing Number)
- (22) ວັນທິຍືນຄຳຮ້ອງ (Filing Date)
- (30) ວັນທິ ບຸລິມະສິດ (Priority Date)
- (43) ວັນທິເຜີຍແຜ່ (Publication Date)
- (51) ໝວດ (International Patent Classification)
- (54) ຫົວຂໍ້ການປະດິດ (Title)
- (57) ບົດຄັດຫຍໍ້ (Abstract)
- (71) ຊື່ ແລະ ທີ່ຢູ່ ເຈົ້າຂອງສິດທິບັດ ແລະ ອະນຸສິດທິບັດ (Owner Name and Address)
- (72) ຊື່ຜູ້ປະດິດ (Inventor Name)
- (74) ຊື່ຕົວແທນ (Representative Name)
- (55) ຮູບພາບ (Pictures)

- (11) No. 579
- (21) PA 579
- (22) 09/03/2018
- (30) 2015-179797 09/11/2015 JP
- (43)
- (51) Int.C1.C 22C 38/00, C 22C 38/60, C 22C 38/16
- (54) STRUCTURAL STEEL MATERIAL EXCELLENT IN ATMOSPHERIC CORROSION RESISTANCE
- (57) structural steel material that exhibits excellent weather resistance even in high salt spray environments is provided with a composition by making the composition to contain, in mass, specified amounts of C, Si, Mn, P, S and Al and compounding the five elements, Cu, Ni, Co, Mo and Sn in respective ranges of: Cu: 0.01% to 1.00% Ni: 0.01% to 0.65% Co: 0.002% to less than 0.220% Nb: 0.005% to 0.200%, and Sn: 0.005% to 0.200%.
- (71) JFE STEEL CORPORATION
2-3, Uchisaiwai-cho 2-chome, Chiyoda-ku, Tokyo 1000011, Japan.
- (72) MIURA, Shinichi; MURASE, Masatsugu and KAMI, Chikara.
- (74) ACTIP (LAO) IP CO., LTD.
- (55)

ພາກທີ I

(Part I)

**ສິດທິບັດ ແລະ ອະນຸສິດທິບັດ
(Patent and Petty Patent)**

3. ການປ່ຽນແປງ

(Changes)

ພາກທີ I

(Part I)

**ສິດທິບັດ ແລະ ອະນຸສິດທິບັດ
(Patent and Petty Patent)**

4. ການດັດແກ້

(Amendments)

ພາກທີ II
(Part II)
ແບບອຸດສາຫະກຳ
(Industrial Design)

1. ຄຳຮ້ອງ
(Applications)

ຄຳອະທິບາຍກ່ຽວກັບລະຫັດຫຍໍ້
(Introduction of Codes)

- (21) ເລກທີ ຄຳຮ້ອງ (Filing Number)
- (22) ວັນທີ ຄຳຮ້ອງ (Filing Date)
- (30) ວັນທີ ບຸລິມາສິດ (Priority Date)
- (51) ໝວດ (Locarno Classification)
- (54) ຊື່ຂອງແບບອຸດສາຫະກຳ (Title)
- (71) ຊື່ ແລະ ທີ່ຢູ່ ຂອງເຈົ້າຂອງ (Owner Name and Address)
- (72) ຊື່ຜູ້ອອກແບບ (Designer Name)
- (74) ຊື່ຕົວແທນ (Representative Name)
- (55) ຮູບພາບ (Pictures)

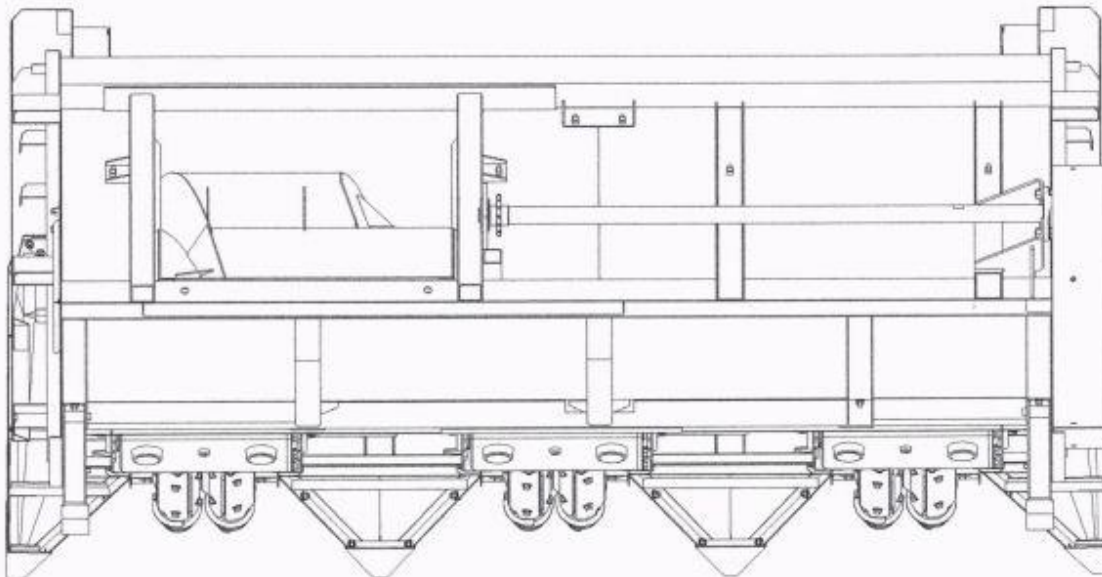
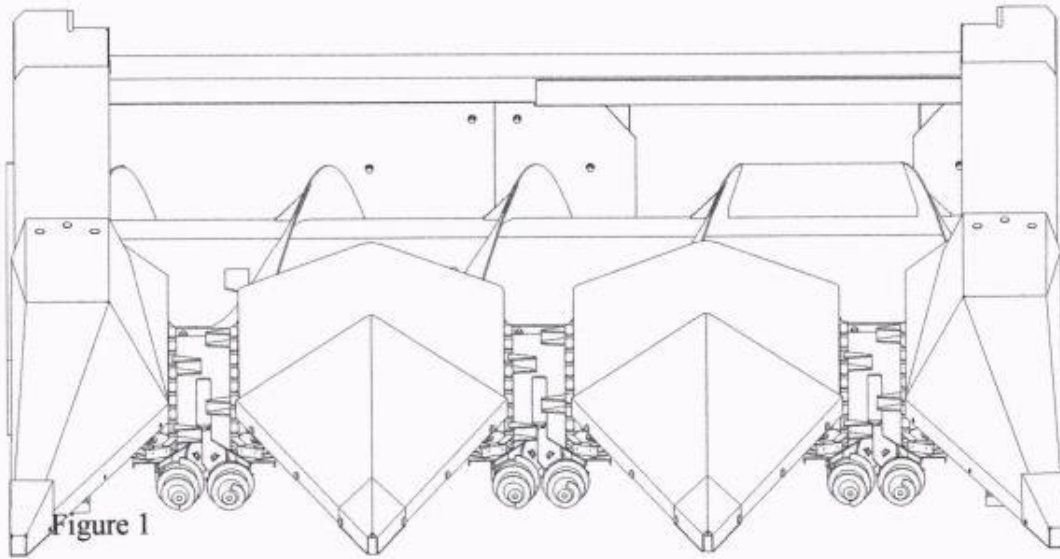
ພາກທີ II
(Part II)
ແບບອຸດສາຫະກຳ
(Industrial Design)

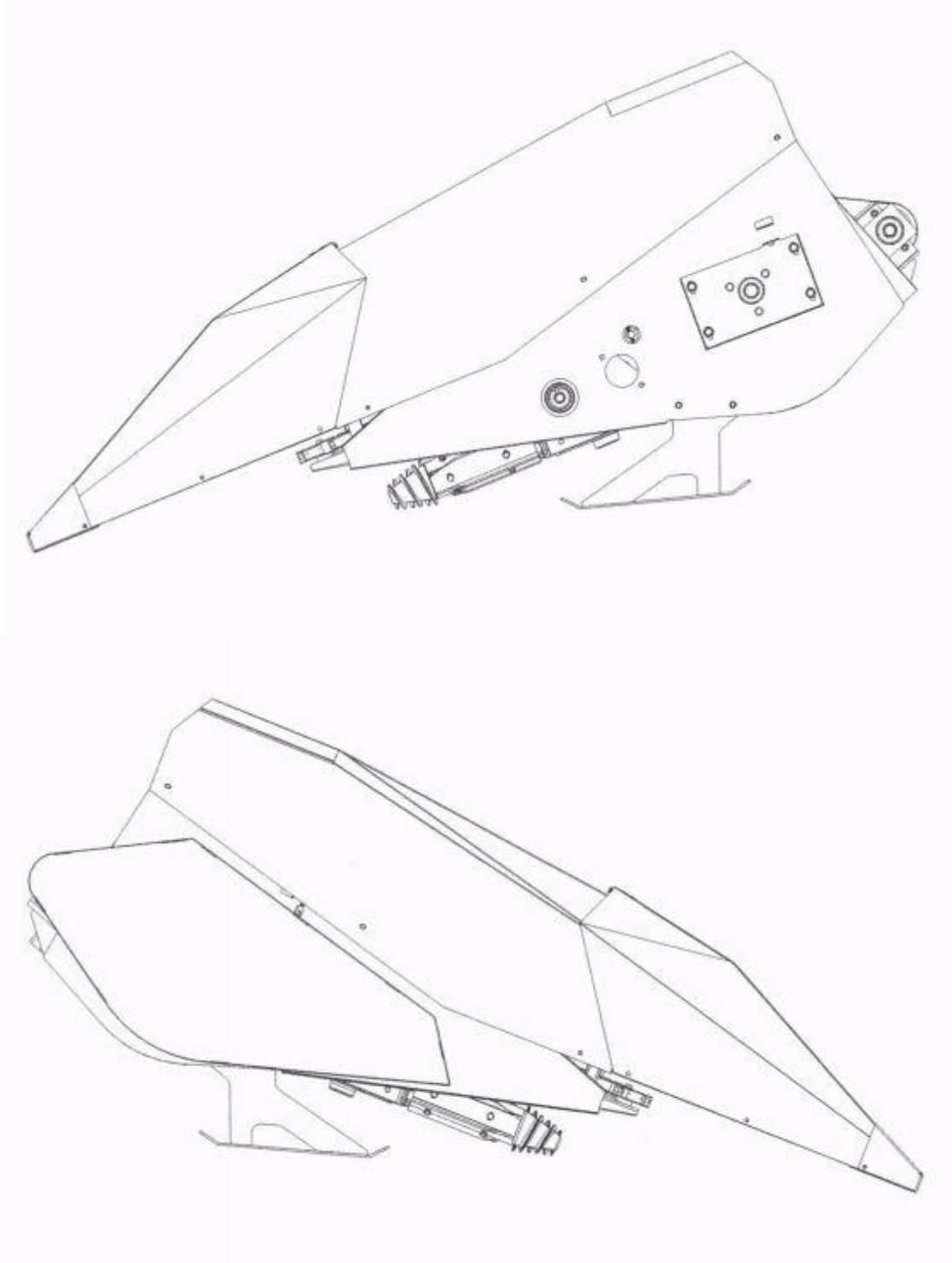
2. ຜົນການຈົດທະບຽນ
(Registration)

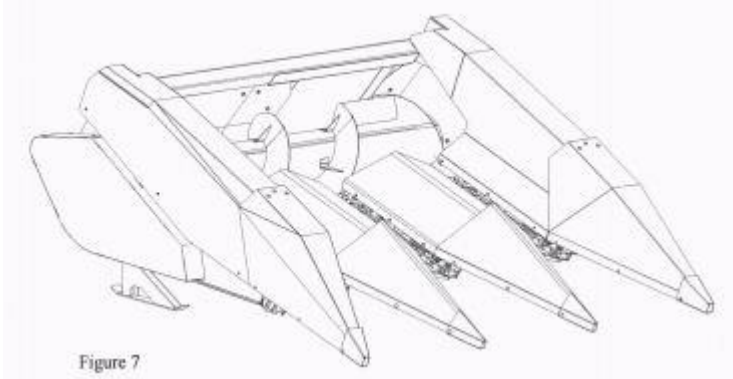
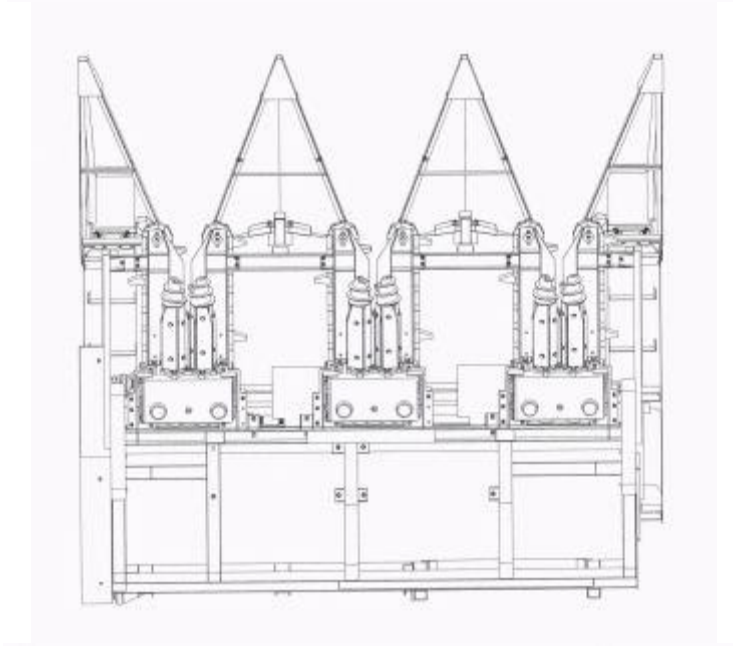
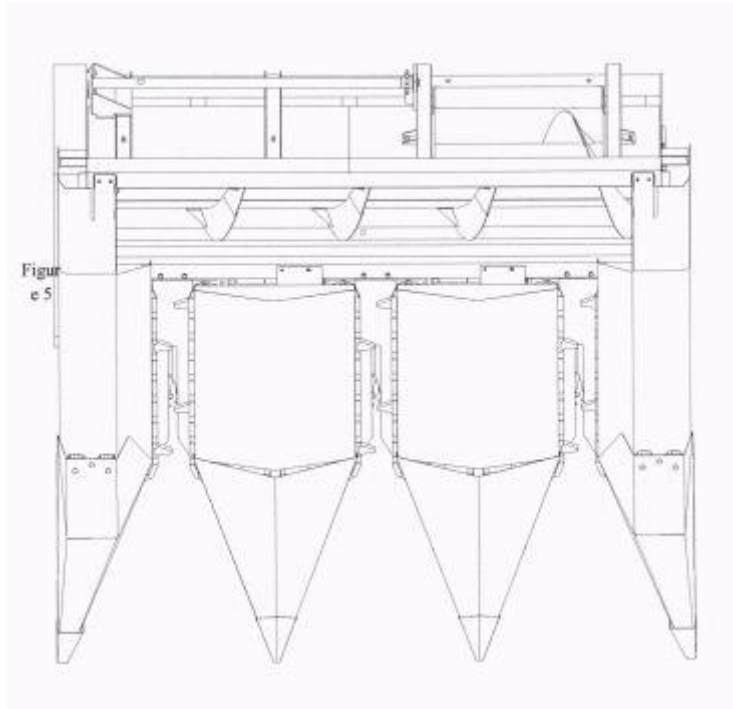
ຄຳອະທິບາຍກ່ຽວກັບລະຫັດຫຍໍ້
(Introduction of Codes)

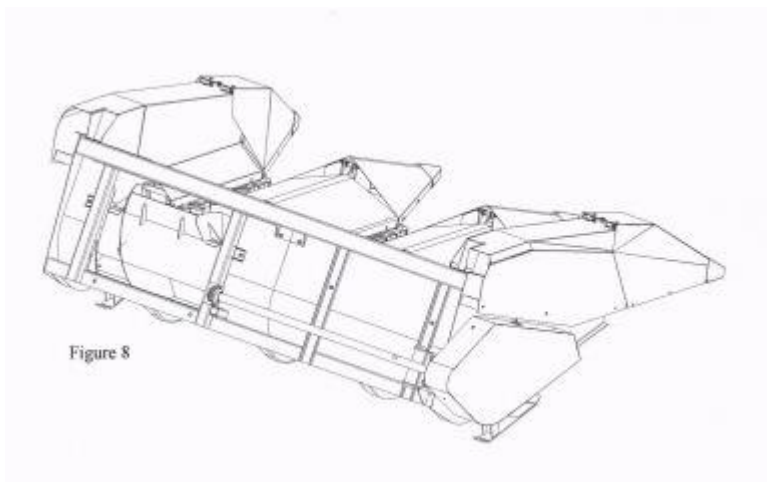
- (11) ເລກທີ ຈົດທະບຽນ (Registration Number)
- (15) ວັນທີ ຈົດທະບຽນ (Registration Date)
- (21) ເລກທີ ຍືນຄຳຮ້ອງ (Filing Number)
- (22) ວັນທີ ຍືນຄຳຮ້ອງ (Filing Date)
- (30) ວັນທີ ບຸລິມາສິດ (Priority Date)
- (17) ວັນທີ ໝົດອາຍຸ (Expiration Date)
- (51) ໝວດ (Locarno Classification)
- (54) ຊື່ຂອງແບບອຸດສາຫະກຳ (Title)
- (71) ຊື່ ແລະ ທີ່ຢູ່ ຂອງເຈົ້າຂອງ (Owner Name and Address)
- (72) ຊື່ຜູ້ອອກແບບ (Designer Name)
- (74) ຊື່ຕົວແທນ (Representative Name)
- (55) ຮູບພາບ (Pictures)

- (11) No. 482
- (15) 16/05/2022
- (28)
- (30)
- (54) Row crop header attachment CH70 model
- (71) Siam Kubota Corporation Co., Ltd
101/19-24 Moo 20, Navanakorn Industrial Estate, Klongneung Sub-district, Klongluang District, Pathumtani Province, Thailand.
- (72) Mr. Piti Fungpunyaroj; Mr. Jintarn Saenchai; Mr. Thanakorn Chabumnet and Mr. Picheat Kanthong.
- (74) Chanthara Sayamoungkhoun, Trademark Patent & Services (TPS).
- (55)



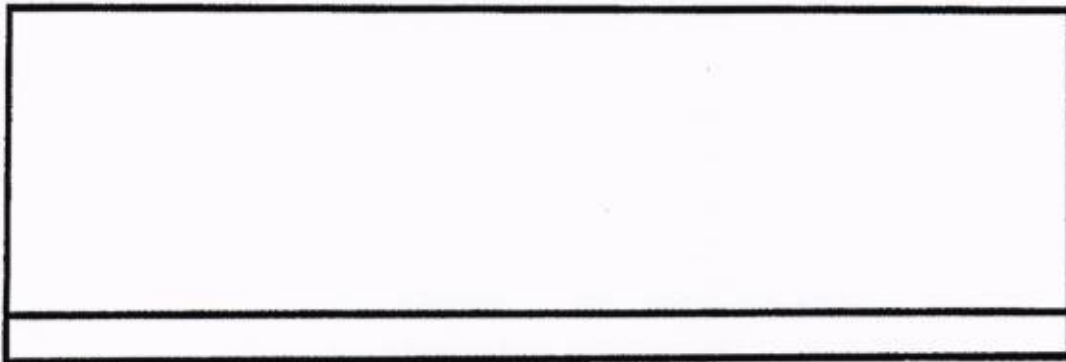


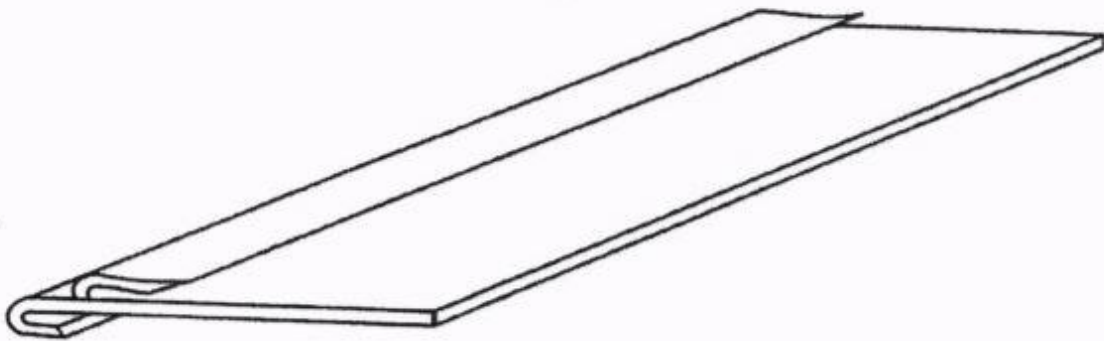
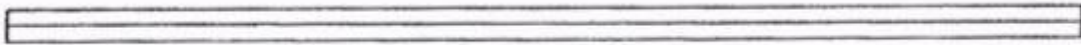
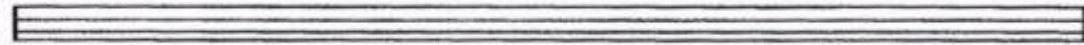
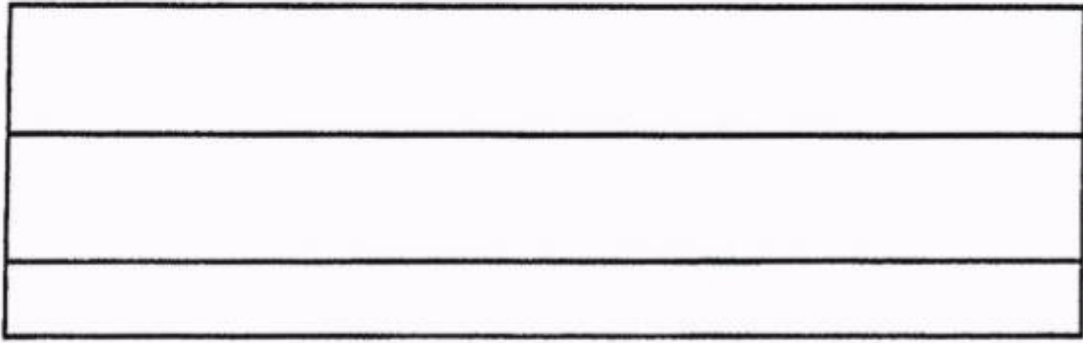




Official Gazette of Industrial Property Vol.155, 20/05/2022

- | | | | |
|------|---|------|------------|
| (11) | No. 499 | (21) | ID 499 |
| (15) | 16/05/2022 | (22) | 22/04/2019 |
| (28) | | (17) | 22/04/2024 |
| (30) | 1802005385 14/12/2018 TH | (51) | 12-16 |
| (54) | fastener for truck bed covers | | |
| (71) | Vipas Sinsongyot
9/999 Moo.5, Phraek Sa, Mueang Samut Prakan, Samut Prakan, 10280, Thailand. | | |
| (72) | Vipas Sinsongyot. | | |
| (74) | Lao Trademark Agency (LAO IP AGENCY). | | |
| (55) | | | |



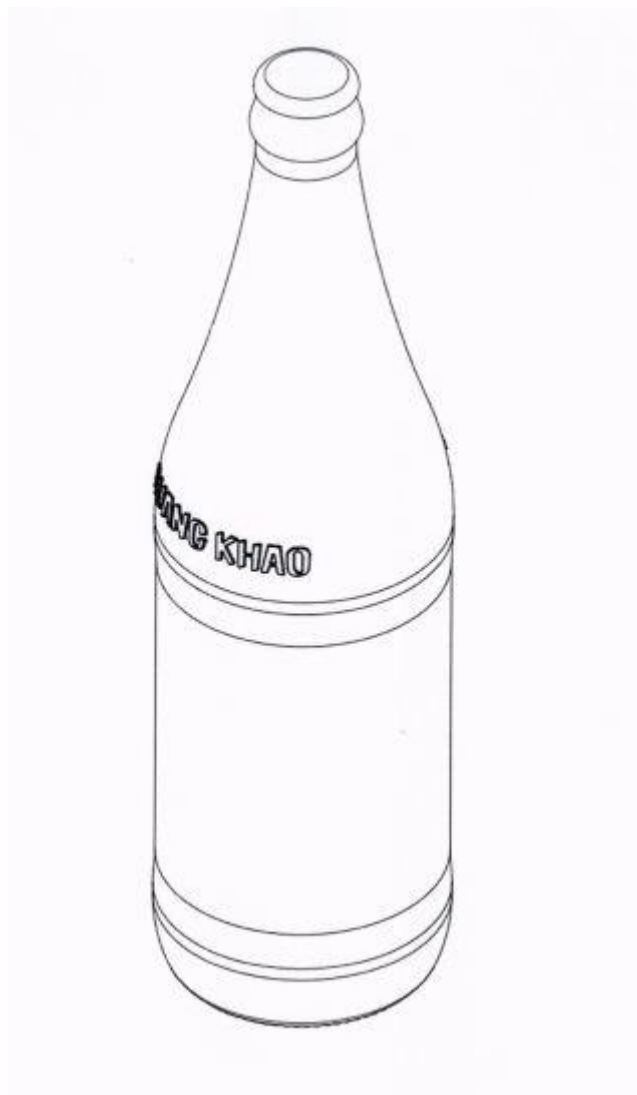


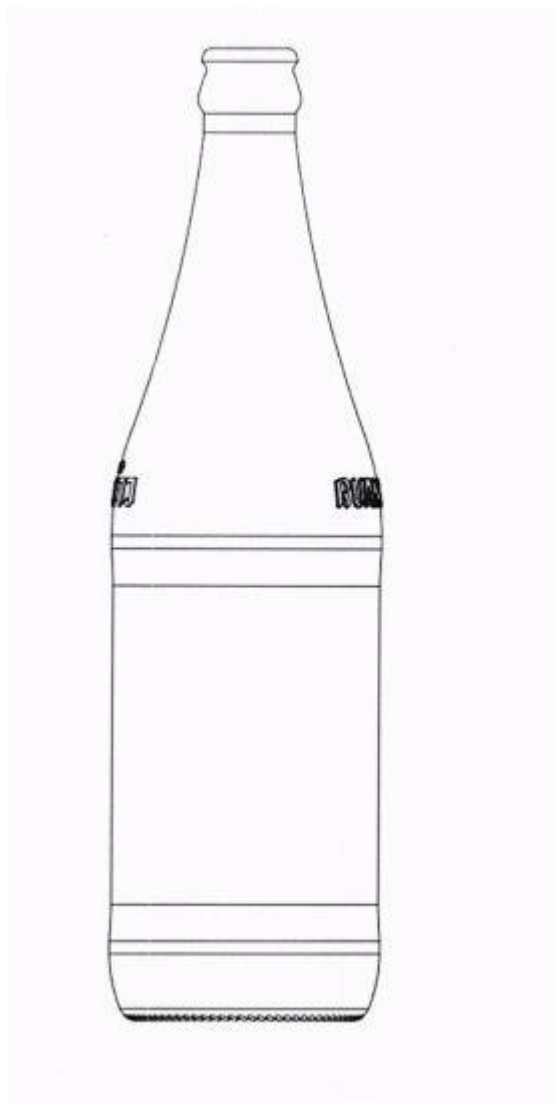
Official Gazette of Industrial Property Vol.155, 20/05/2022

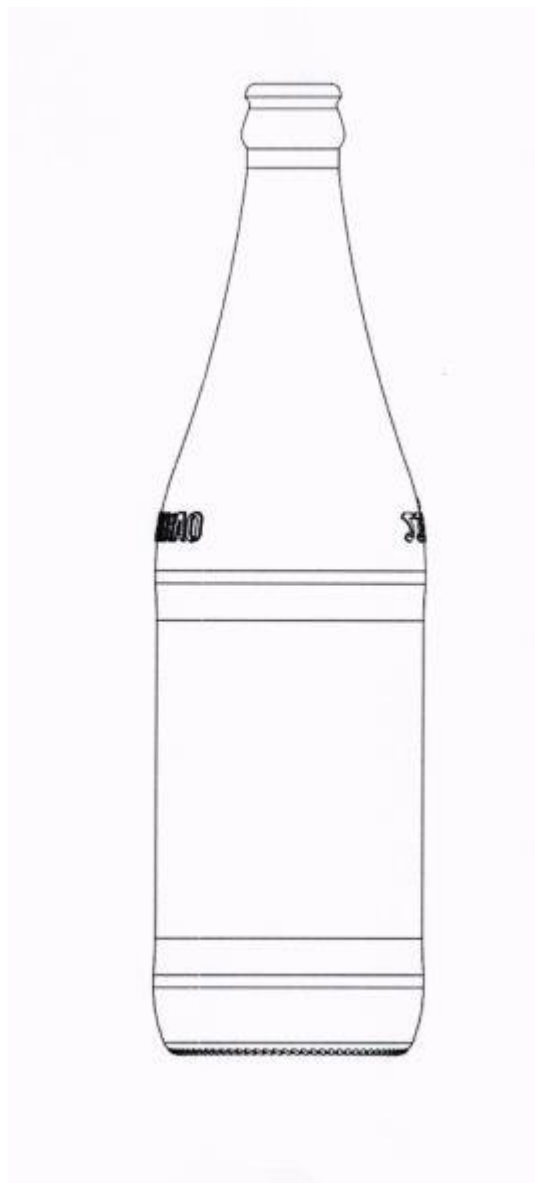
- | | | | |
|------|---|------|------------|
| (11) | No. 527 | (21) | ID 527 |
| (15) | 16/05/2022 | (22) | 13/11/2019 |
| (28) | | (17) | 13/11/2024 |
| (30) | | (51) | 09-03 |
| (54) | Bottle | | |
| (71) | Thai Beverage Recycle Co., Ltd.
333 Lao Peng Nguan Tower 19th Floor Vibhavadee-Rangsit Road, Kwaeng Chomphon,
Khet Chatuchak, Bangkok, 10900, Thailand. | | |
| (72) | Mr. Wachira Rujirojsakul. | | |
| (74) | Lao Trademark Agency. | | |
| (55) | | | |





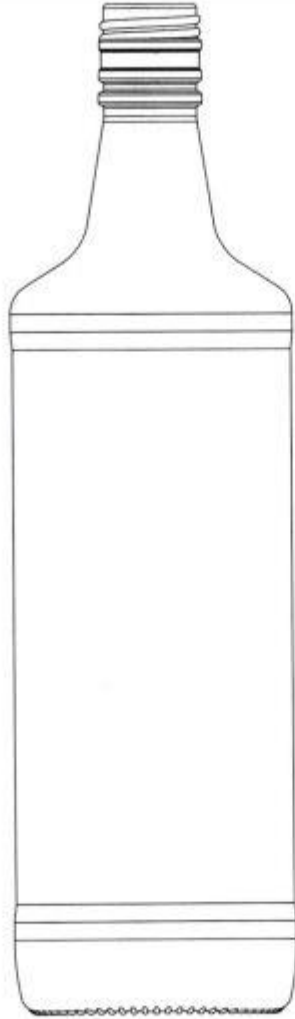




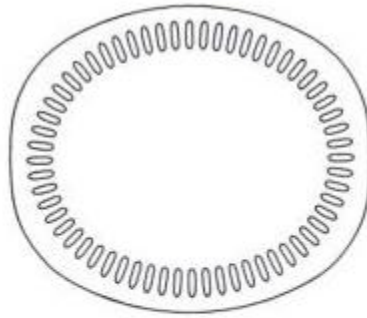




- | | | | |
|------|---|------|------------|
| (11) | No. 544 | (21) | ID 544 |
| (15) | 16/05/2022 | (22) | 23/04/2020 |
| (28) | | (17) | 23/04/2025 |
| (30) | | (51) | 09-03 |
| (54) | BOTTLE | | |
| (71) | Thai Beverage Recycle Co., Ltd.
333 Lao Peng Nguan Tower 19th Floor Vibhavadee-Rangsit Road, Kwaeng Chomphon,
Khet Chatuchak, Bangkok, 10900, Thailand. | | |
| (72) | Mr.Wachira Rujirosakul. | | |
| (74) | LAO TRADEMARK AGENCY (LAO IP AGENCY). | | |
| (55) | | | |
-



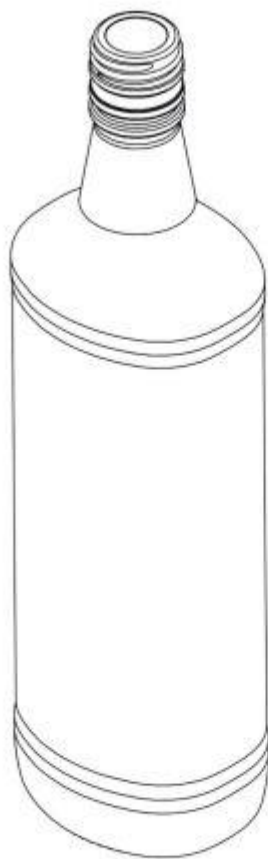
BACK VIEW



BASE VIEW



FRONT VIEW



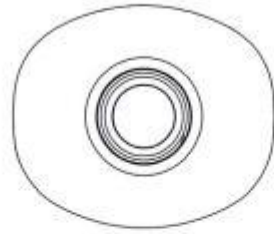
ISOMETRIC VIEW



LEFT VIEW



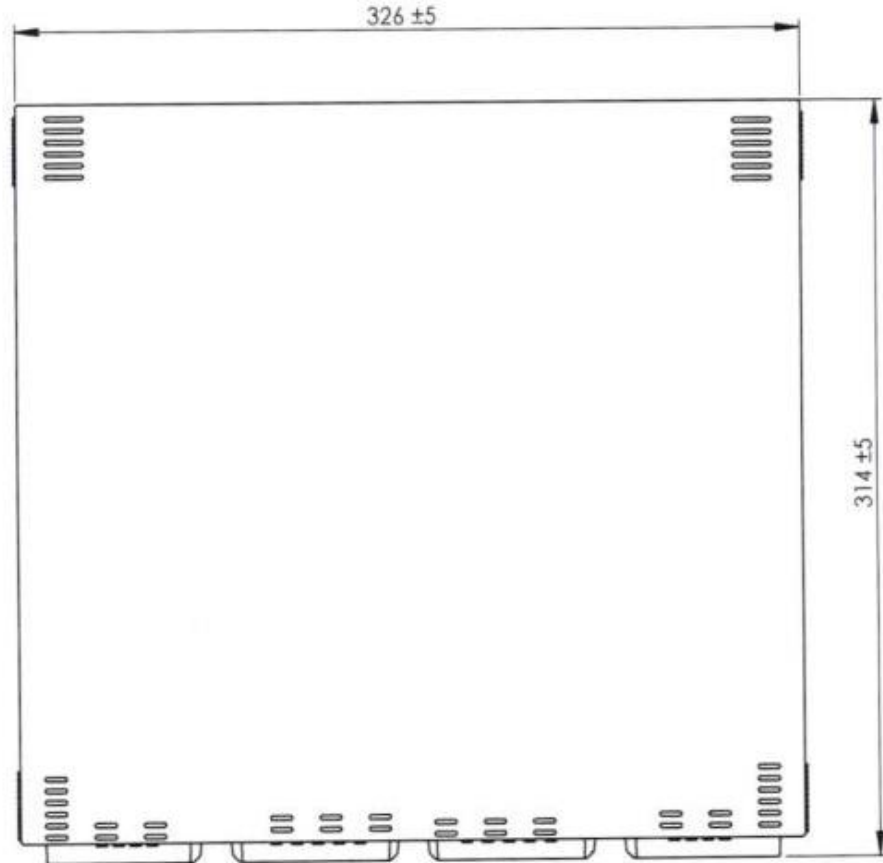
RIGHT VIEW

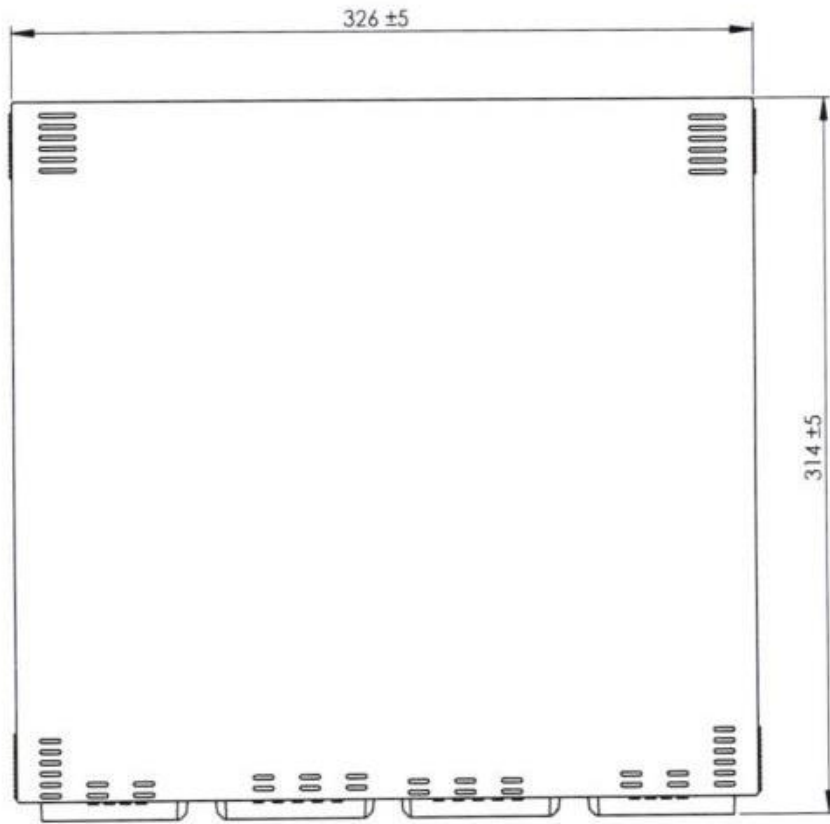


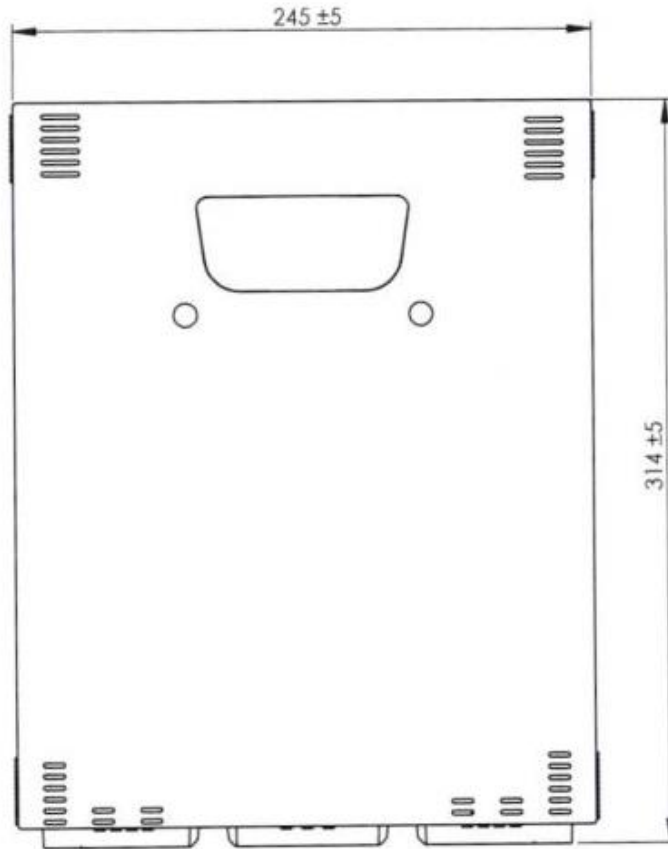
TOP VIEW

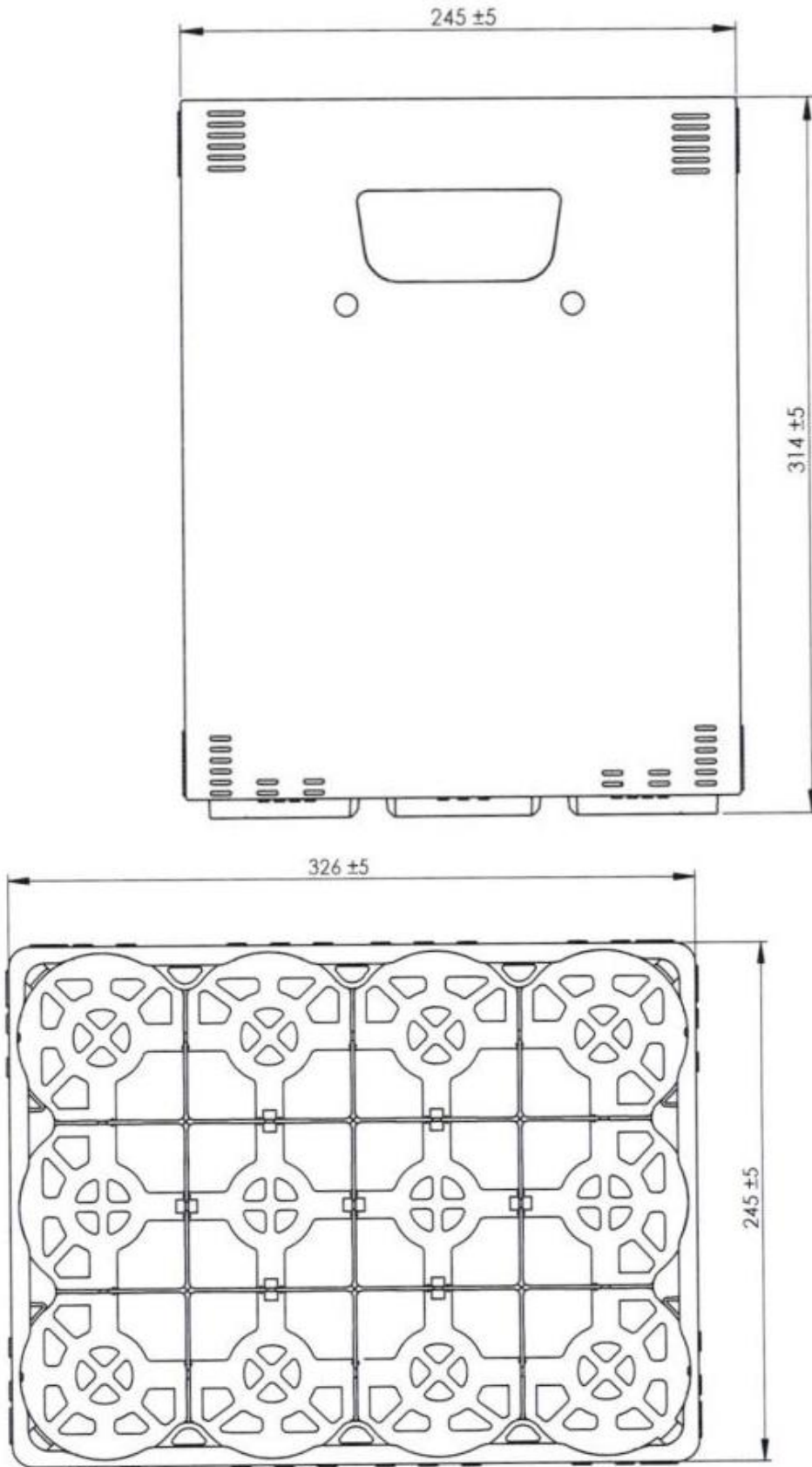
- (11) No. 549
- (15) 16/05/2022
- (28)
- (30)
- (54) 12 INTERLOCK BOTTLE CRATE
- (71) Platinum Pro Plastic Co., Ltd.
99/11 Moo 6, Makhamkoo, Nihomphattana, Rayong 21180, Thailand.
- (72) Mr.Chatarat Hiranchaowiwat.
- (74) Tilleke & Gibbins Lao Co., Ltd.
- (55)

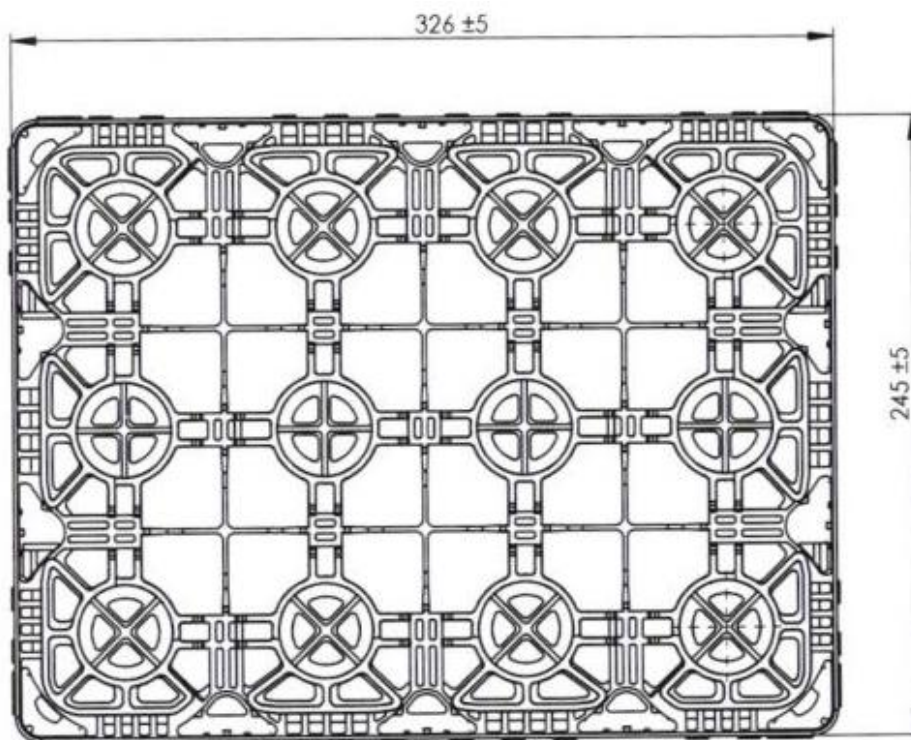
- (21) ID 549
- (22) 04/05/2020
- (17) 04/05/2025
- (51) 09-03

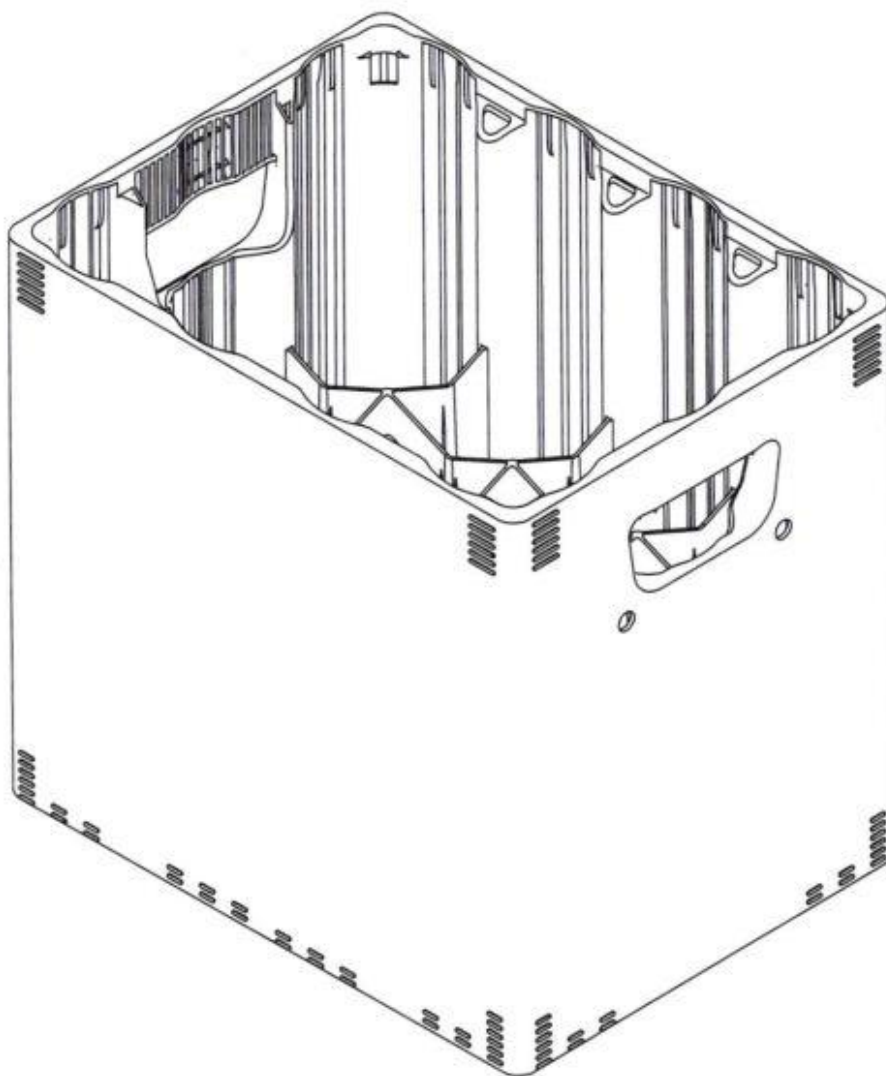






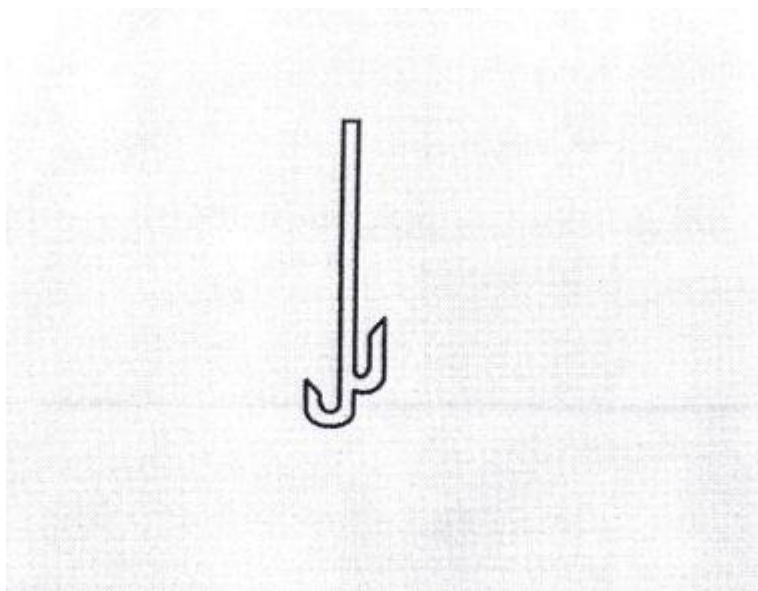


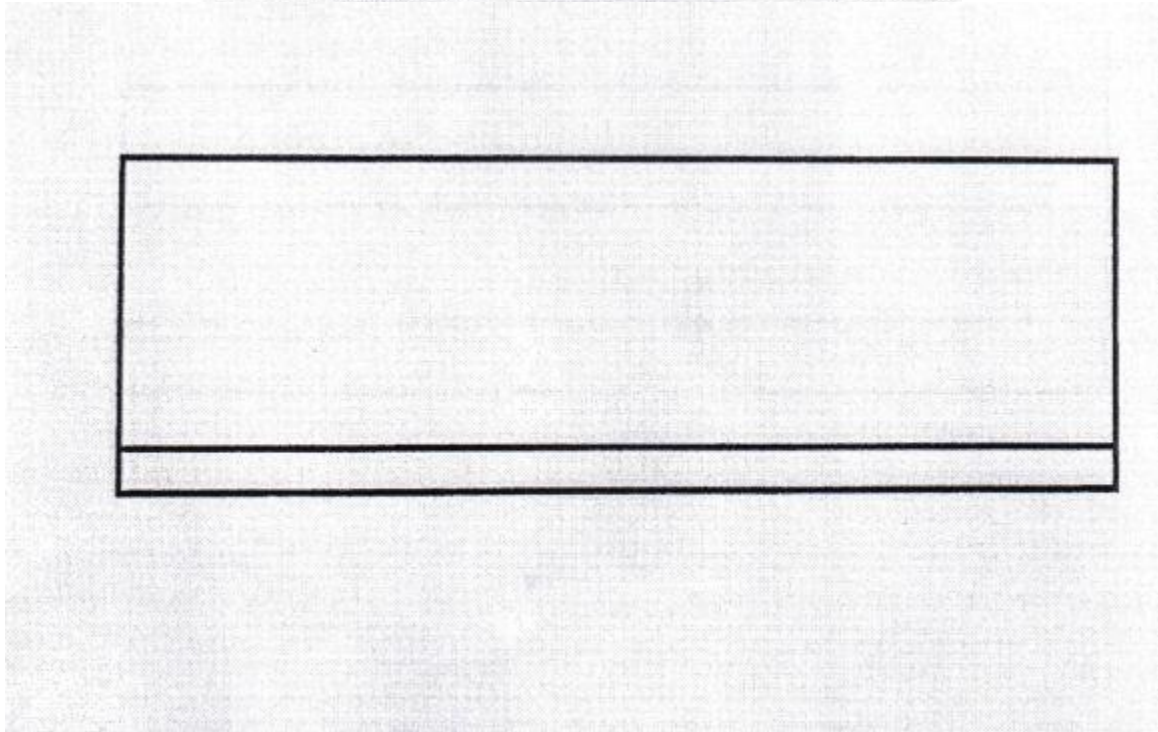
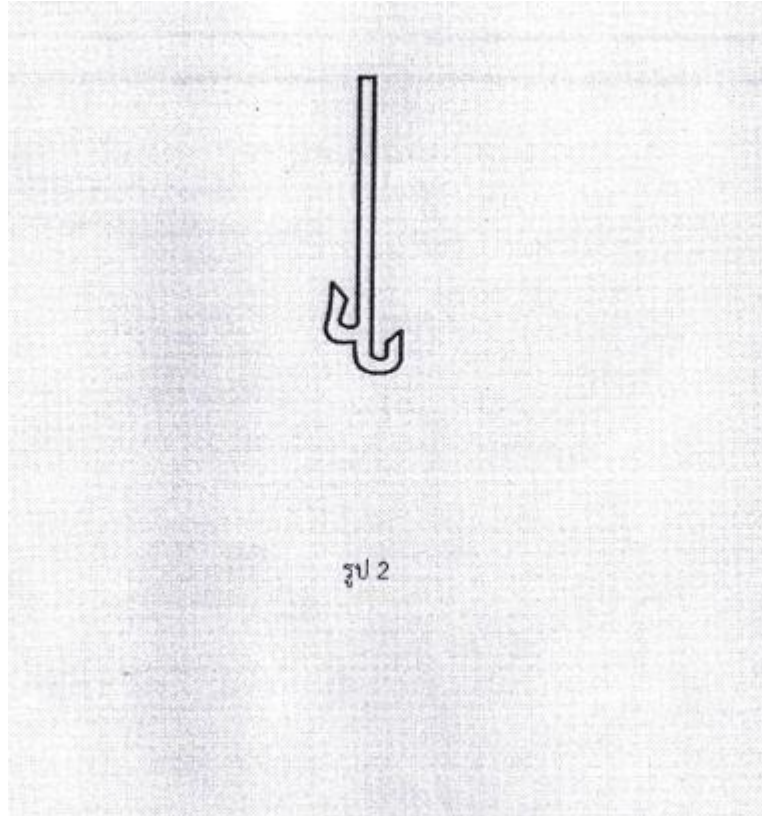


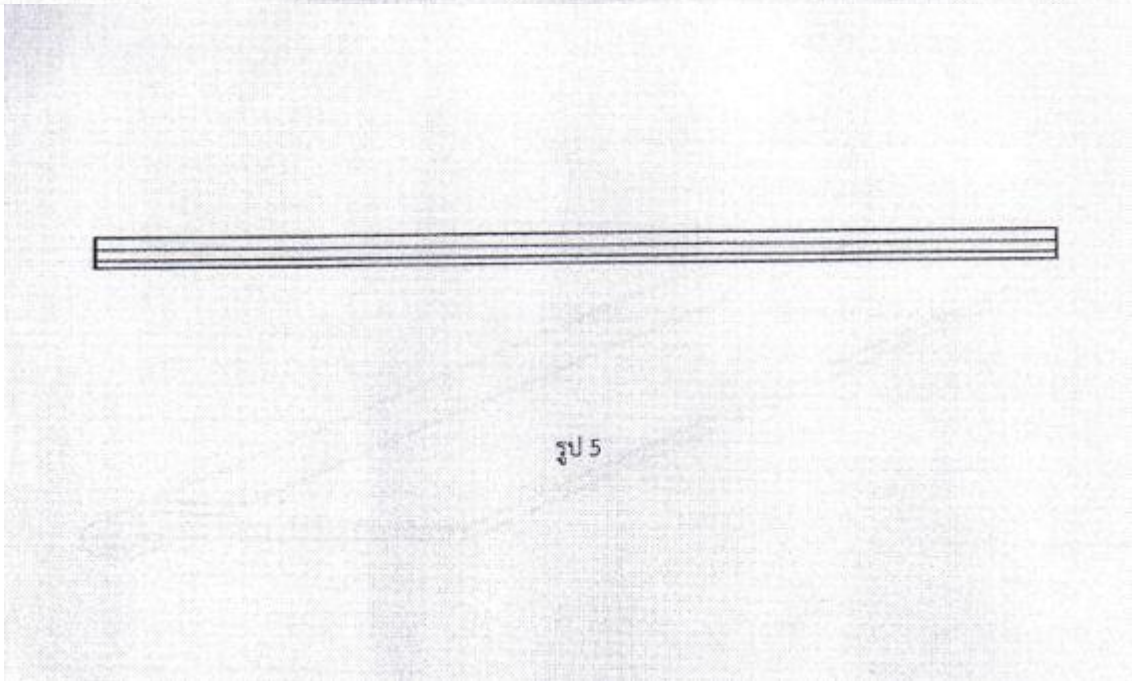
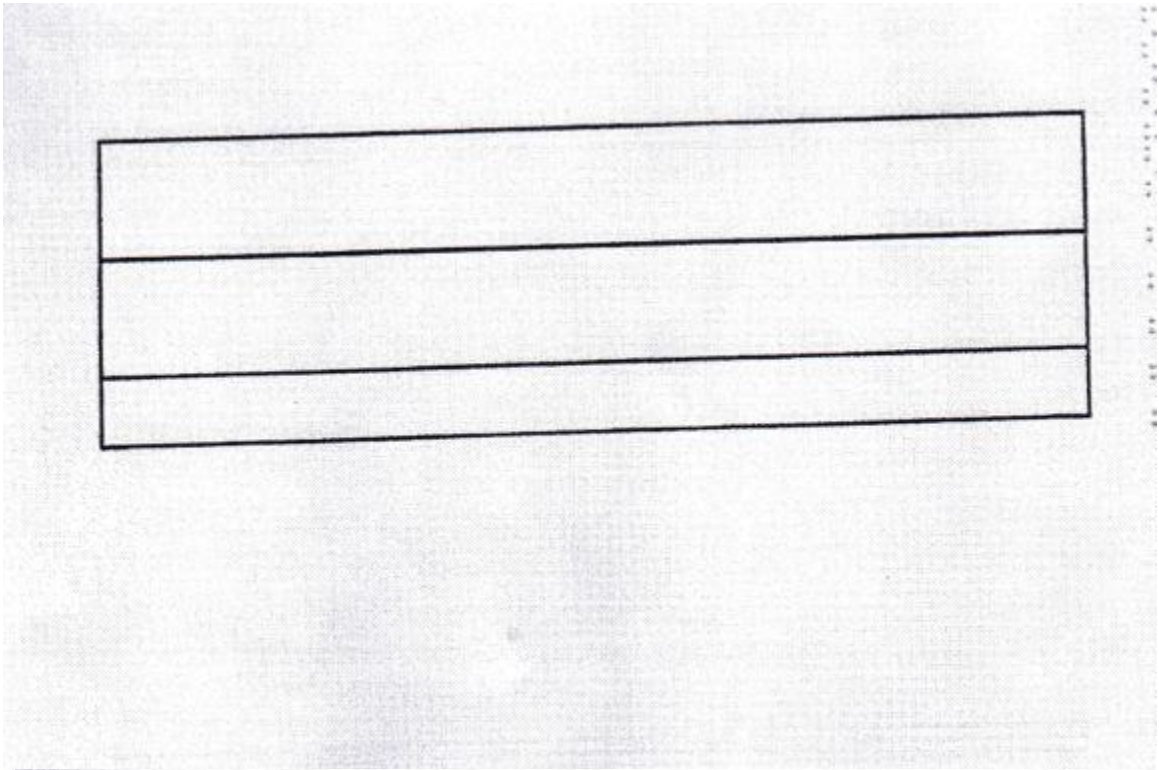


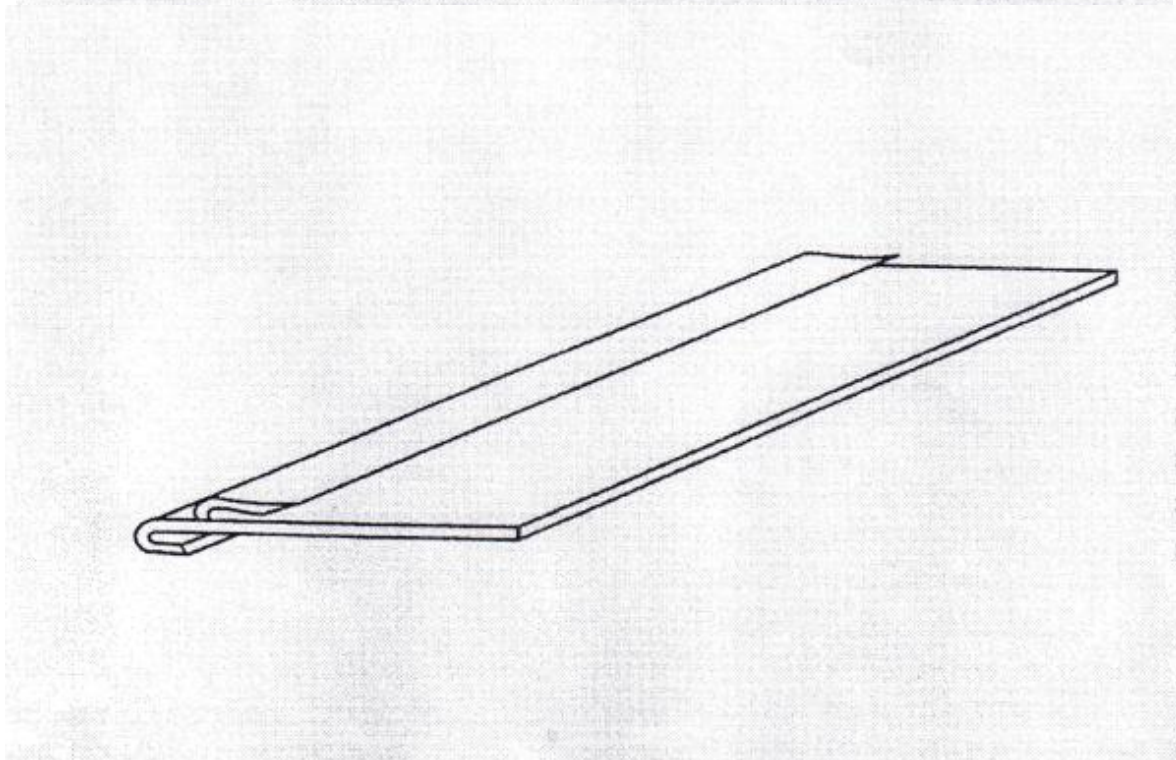
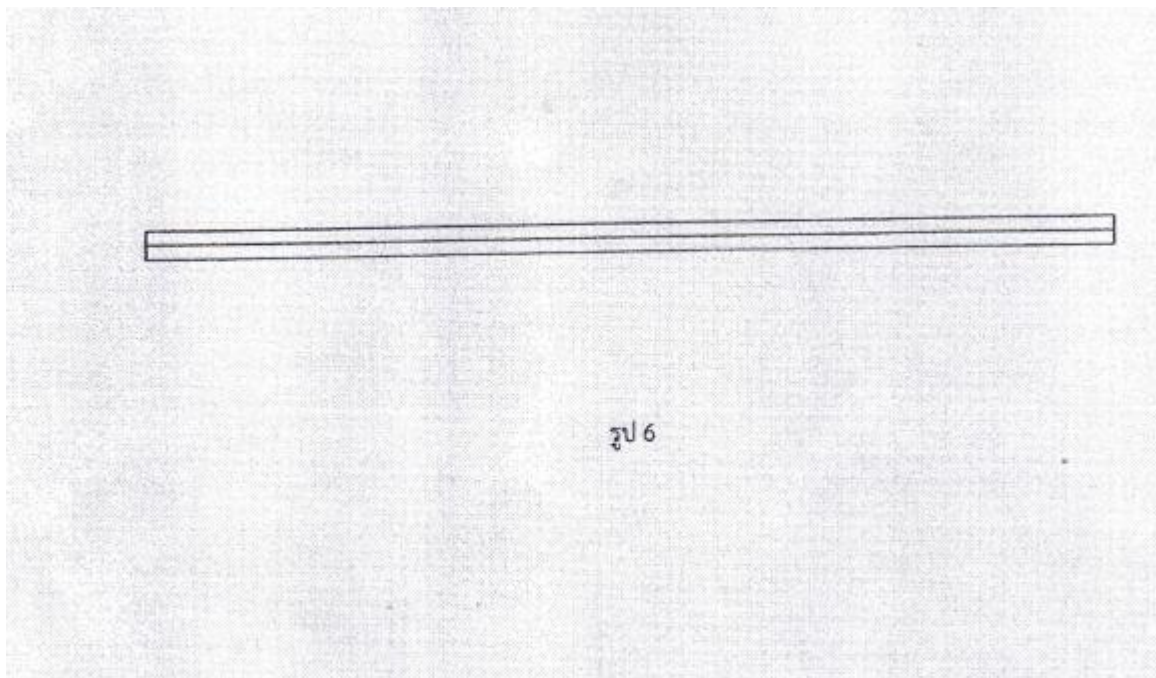
Official Gazette of Industrial Property Vol.155, 20/05/2022

- (11) No. 550 (21) ID 550
(15) 16/05/2022 (22) 22/05/2020
(28) (17) 22/05/2025
(30) 2002001435 30/03/2020 TH (51) 12-16
(54) Supporting parts for truck bed covers
(71) Vipas Sinsongyot
9/999 Moo.5, Phraek Sa, Mueang Samut Prakan, Samut Prakan, 10280, Thailand.
(72) Vipas Sinsongyot.
(74) LAO TRADEMARK AGENCY (LAO IP AGENCY).
(55)









- | | | | |
|------|---|------|------------|
| (11) | No. 561 | (21) | ID 561 |
| (15) | 16/05/2022 | (22) | 06/10/2020 |
| (28) | | (17) | 06/10/2025 |
| (30) | 3-2020-00773 07/04/2020 VN | (51) | 12-08 |
| (54) | CAR | | |
| (71) | VINFAST TRADING AND PRODUCTION LIMITEID
LIABILITY COMPANY
Dinh Vu - Cat Hai Economic Zone., Cat Hai Island, Cat Hai Town, Cat Hai District, Hai
Phong City, Vietnam. | | |
| (72) | EPIFANI NAZZARENO; CARTIA GUGLIELMO GIOVANNI and VICEDOMINI
DIMITRI. | | |
| (74) | LAO TRADEMARK AGENCY (LAO IP AGENCY). | | |
| (55) | | | |

Title: CAR

FIG. 1 is a front perspective view of an CAR in accordance with the design;







FIG. 5 is a right side view thereof;





- | | | | |
|------|--|------|------------|
| (11) | No. 562 | (21) | ID 562 |
| (15) | 16/05/2022 | (22) | 06/10/2020 |
| (28) | | (17) | 06/10/2025 |
| (30) | 3-2020-00769 07/04/2020 VN | (51) | 12-08 |
| (54) | ELECTRIC CAR | | |
| (71) | VINFAST TRADING AND PRODUCTION LIMITED
LIABILITY COMPANY
Dinh Vu - Cat Hai Economic Zone, Cat Hai Island, Cat Hai Town, Cat Hai District, Hai Phong City, VietNam. | | |
| (72) | EPIFANI NAZZARENO; CARTIA GUGLIELMO GIOVANNI and VICEDOMINI DIMITRI. | | |
| (74) | LAO TRADEMARK AGENCY (LAO IP AGENCY). | | |
| (55) | | | |

FIG. 1

FIG. 1 is a front perspective view of an ELECTRIC CAR in accordance with the design;











- | | | | |
|------|---|------|------------|
| (11) | No. 564 | (21) | ID 564 |
| (15) | 16/05/2022 | (22) | 20/10/2020 |
| (28) | | (17) | 20/10/2025 |
| (30) | | (51) | 09-01 |
| (54) | Rotatable medicine box | | |
| (71) | Golden Wisdom Technology (Shenzhen) Co., Ltd
Suite 1107, Lvl. 11, Building 01, Cadre Mansion, 168 Tongsha Rd. Xinwei Community,
Xili Sub-district, Nanshan District, Shenzhen, Guangdong Province, China. | | |
| (72) | Kenny Fan. | | |
| (74) | Ageless Lao Sole Co. Ltd. | | |
| (55) | | | |

FIG. 1



FIG. 2



FIG. 3 **FIG. 4**



FIG. 5



FIG. 6



FIG. 7



FIG. 8



- | | | | |
|------|---|------|------------|
| (11) | No. 585 | (21) | ID 585 |
| (15) | 16/05/2022 | (22) | 04/11/2021 |
| (28) | | (17) | 04/11/2026 |
| (30) | 3-2021-01150 10/05/2021 VN | (51) | 12-08 |
| (54) | AUTOMOBILE | | |
| (71) | VINFAST TRADING AND PRODUCTION LIMITED
LIABILITY COMPANY
Dinh Vu- Cat Hai Economic Zone, Cat Hai Island, Cat Hai Town' Cat Hai District, Hai
Phong City, Viet Nam. | | |
| (72) | ROBERTO MICHELE PIATTI. | | |
| (74) | LAO TRADEMARK AGENCY (LAO IP AGENCY). | | |
| (55) | | | |

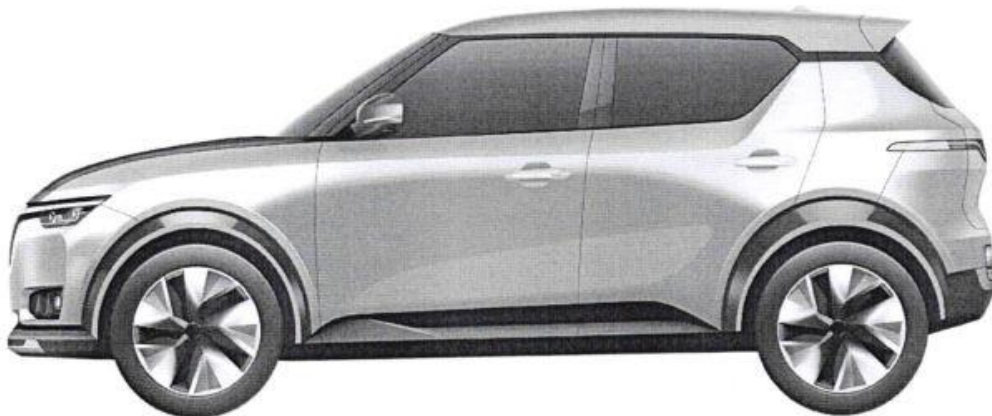


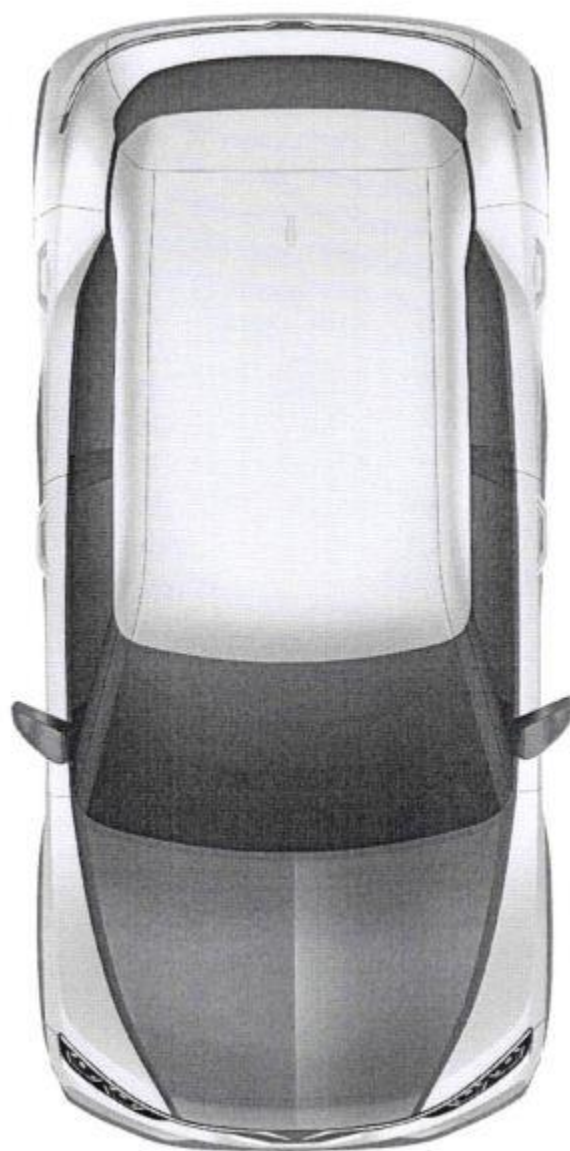




- | | | | |
|------|--|------|------------|
| (11) | No. 586 | (21) | ID 586 |
| (15) | 16/05/2022 | (22) | 04/11/2021 |
| (28) | | (17) | 04/11/2026 |
| (30) | 3-2021-01149 10/05/2021 VN | (51) | 12-08 |
| (54) | AUTOMOBILE | | |
| (71) | VINFAST TRADING AND PRODUCTION LIMITED
LIAIBILITY COMPANY
Dinh Vu- Cat Hai Economic Zone, Cat Hai Island Cat Hai Town, Cat Hai District, Hai Phong City, Viet Nam. | | |
| (72) | ROBERTO MICHELE PIATTI. | | |
| (74) | LAO TRADEMARK AGENCY (LAO IP AGENCY). | | |
| (55) | | | |

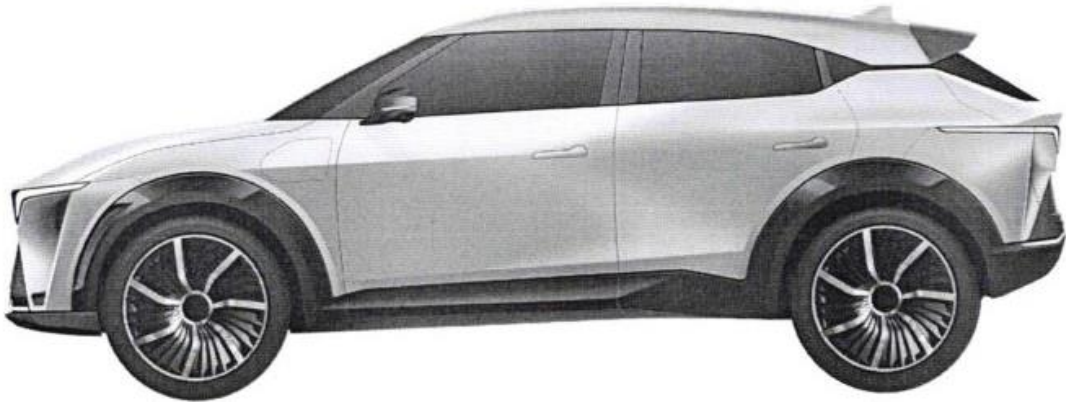
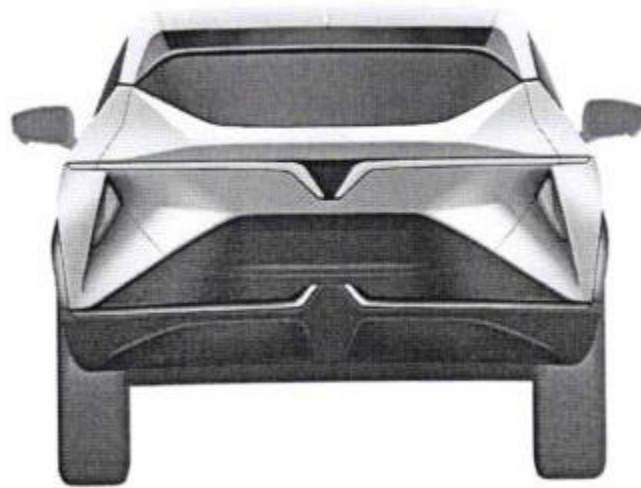






- | | | | |
|------|---|------|------------|
| (11) | No. 587 | (21) | ID 587 |
| (15) | 16/05/2022 | (22) | 10/11/2021 |
| (28) | | (17) | 10/11/2026 |
| (30) | 3-2021-01838 15/07/2021 VN | (51) | 12-08 |
| (54) | AUTOMOBILE | | |
| (71) | VINFAST TRADING AND PRODUCTION LIMITED
LIABILITY COMPANY
Dinh Vu- Cat Hai Economic Zone, Cat Hai Island, Cat Hai Town, Cat Hai District, Hai Phong City, VietNam. | | |
| (72) | ROBERTO MICHELE PIATTI and Jaehoon Lee. | | |
| (74) | LAO TRADEMARK AGENCY (LAO IP AGENCY). | | |
| (55) | | | |

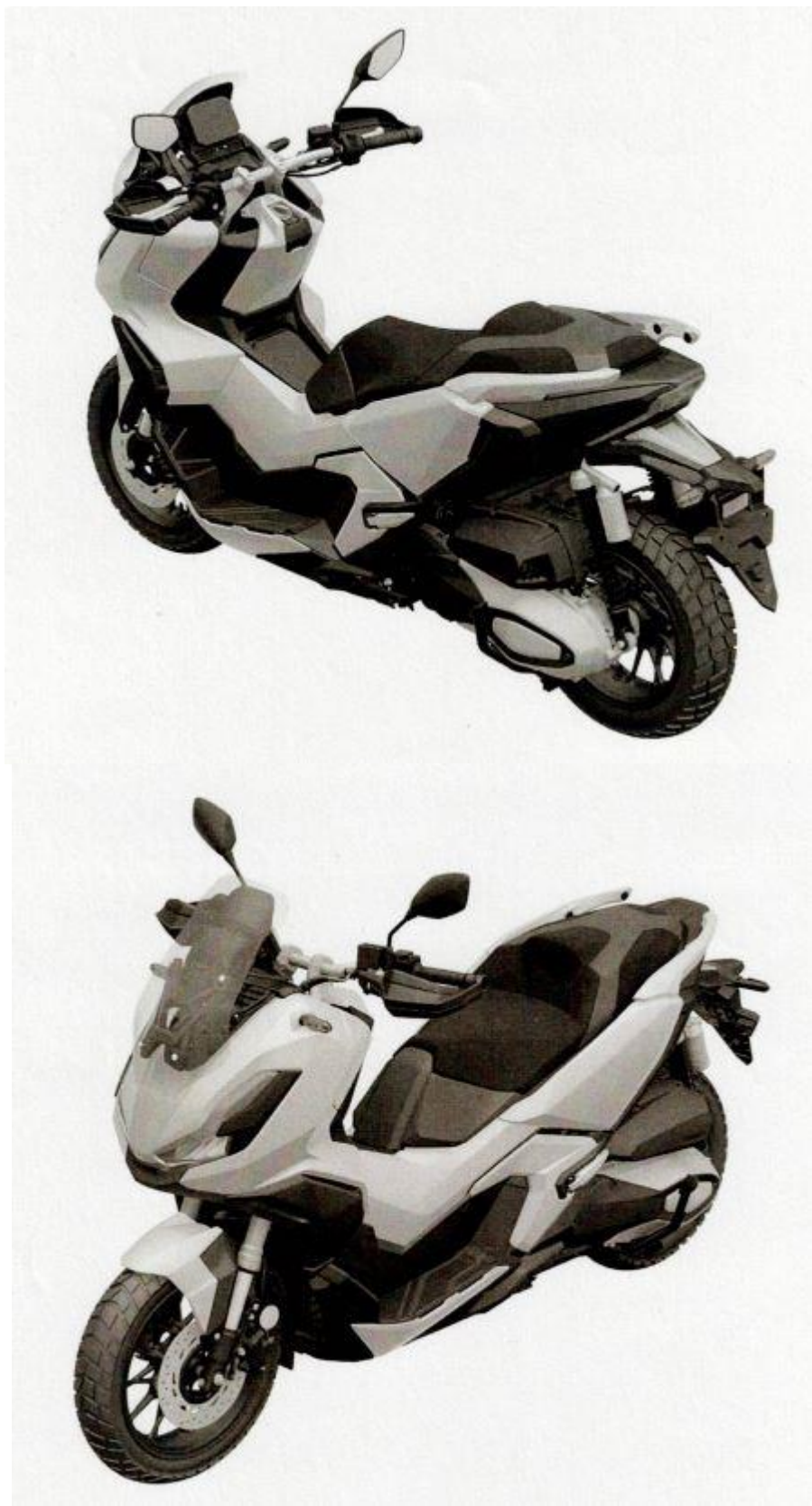






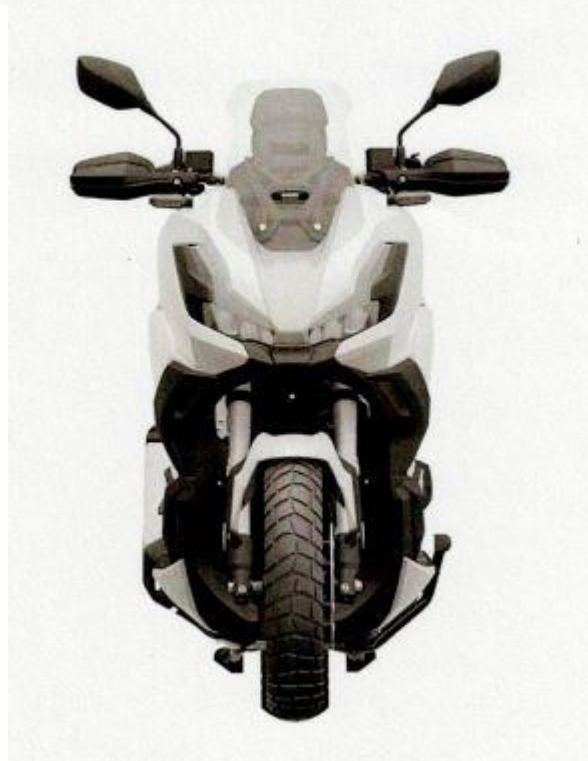
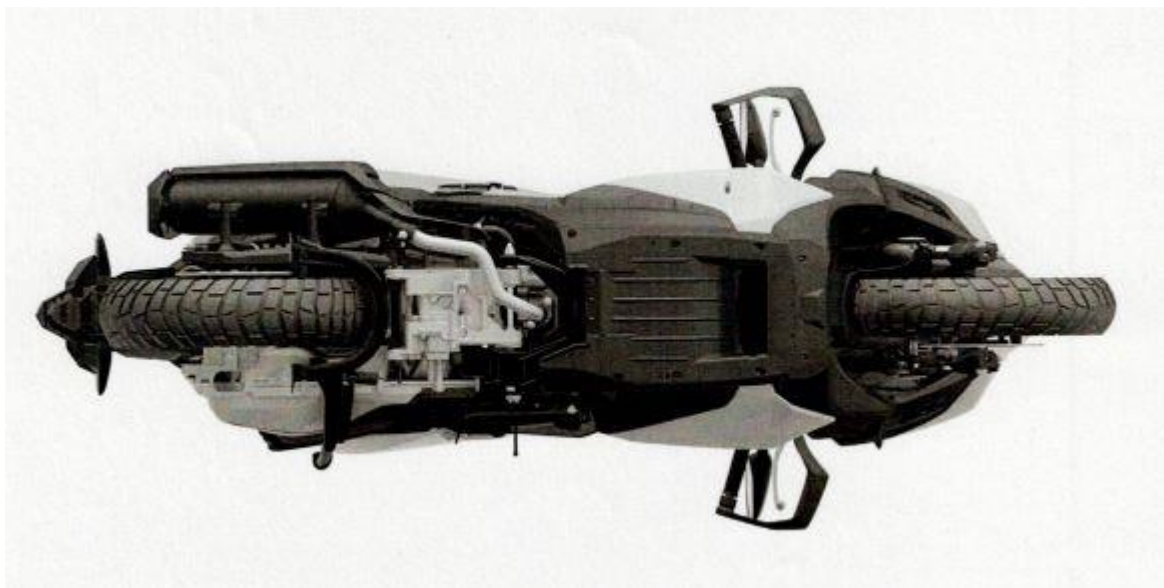
- | | | | |
|------|---|------|------------|
| (11) | No. 591 | (21) | ID 591 |
| (15) | 16/05/2022 | (22) | 17/02/2022 |
| (28) | | (17) | 17/02/2027 |
| (30) | 2021-017651 17/08/2021 JP | (51) | 12-11 |
| (54) | MOTORCYCLE MOTOR SCOOTER | | |
| (71) | HONDA MOTOR CO., LTD | | |
| | 1-1, Minami-Aoyama 2-chome, Minato-Ku, Tokyo, 107-8556 Japan. | | |
| (72) | Fumiya ISONO; Keisuke ARAI; Daiki GOTO and Hiroki YOSHITOMI. | | |
| (74) | LAO TRADEMARK AGENCY (LAO IP AGENCY). | | |
| (55) | | | |









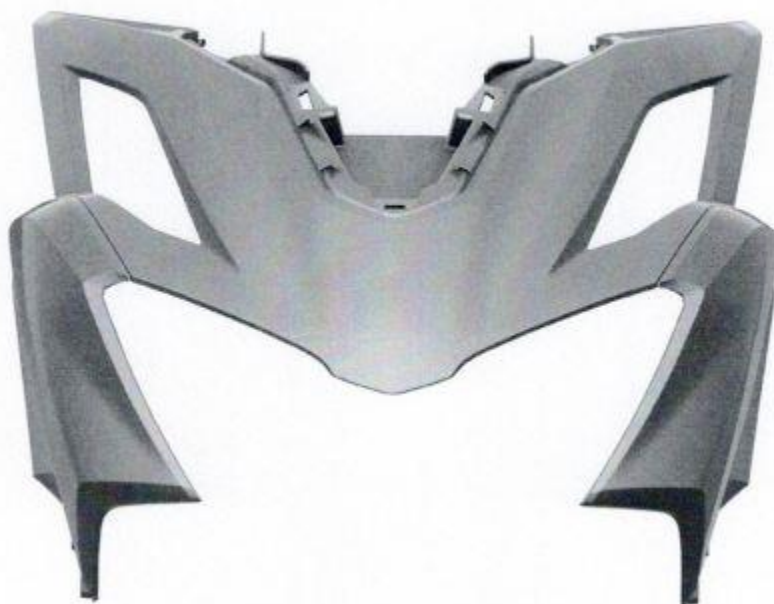


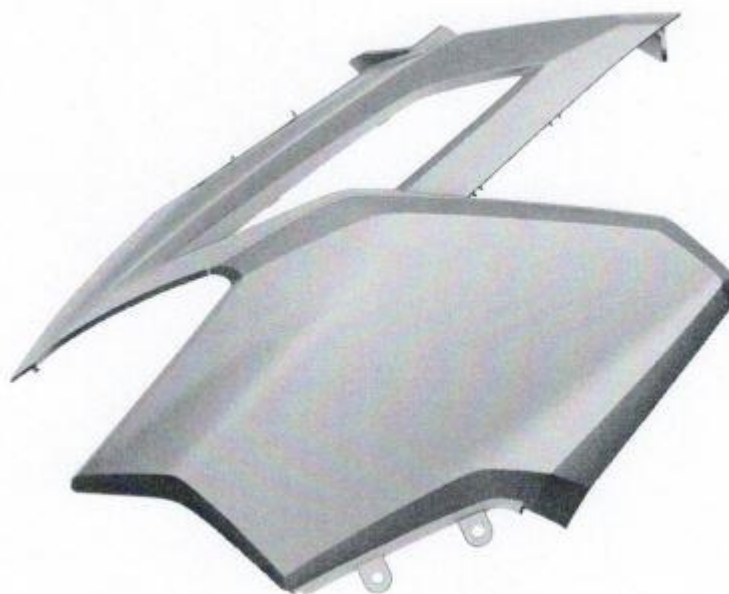
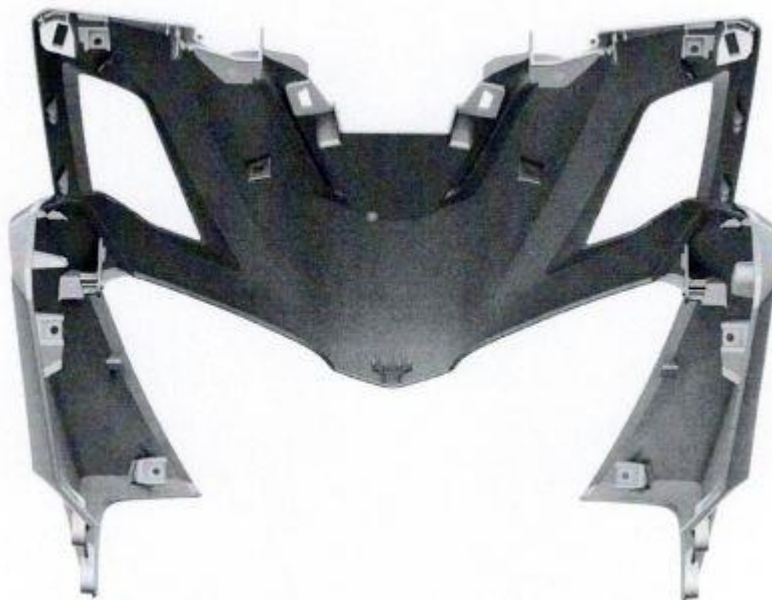


- | | | | |
|------|--|------|------------|
| (11) | No. 592 | (21) | ID 592 |
| (15) | 16/05/2022 | (22) | 17/02/2022 |
| (28) | | (17) | 17/02/2027 |
| (30) | 2021-017966 20/08/2021 JP | (51) | 12-11 |
| (54) | Front Cowl for Motor Scooter | | |
| (71) | HONDA MOTOR CO., LTD
1-1, Minami-Aoyama 2-chome, Minato-ku, Tokyo, 107-8556, Japan. | | |
| (72) | Takashi WATANABE(Japanese) and Worawit CHAWALITNIMITKUL(Thailand). | | |
| (74) | LAO TRADEMARK AGENCY (LAO IP AGENCY). | | |
| (55) | | | |









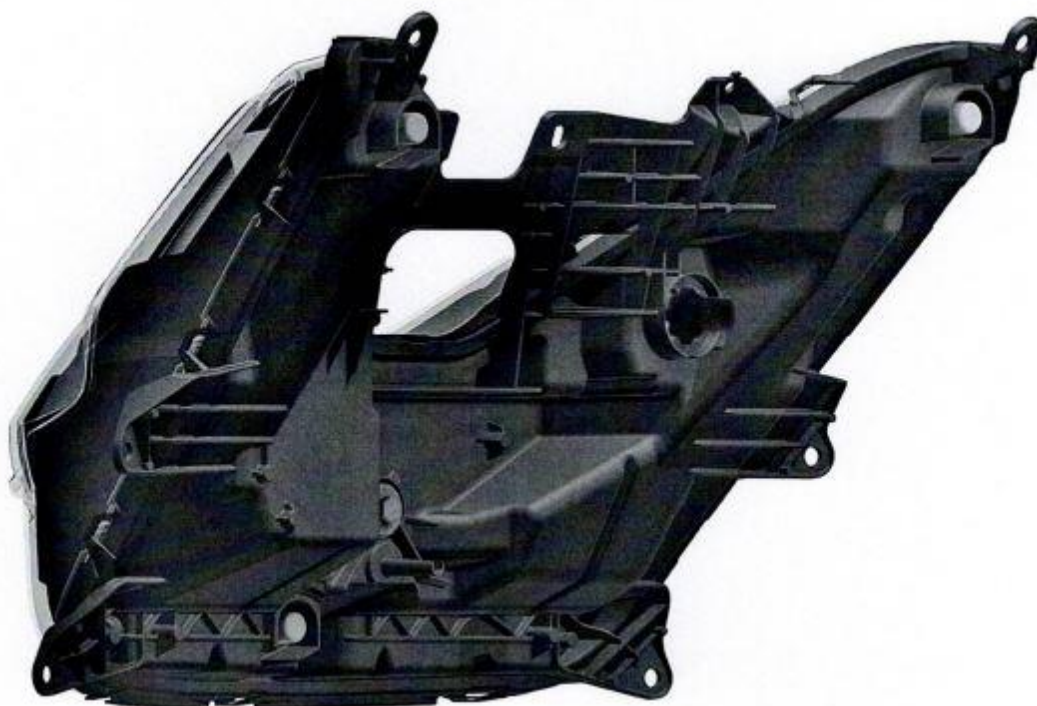




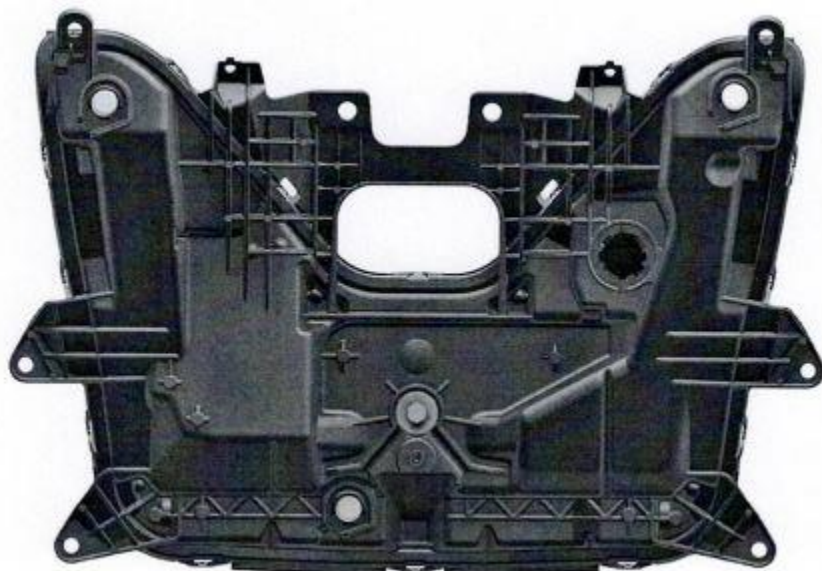


- | | | | |
|------|---|------|------------|
| (11) | No. 593 | (21) | ID 593 |
| (15) | 16/05/2022 | (22) | 17/02/2022 |
| (28) | | (17) | 17/02/2027 |
| (30) | 2021-017967 20/08/2021 JP | (51) | 26-06 |
| (54) | Headlight for Motor Scooter | | |
| (71) | HONDA MOTOR CO., LTD
1-1, Minami-Aoyama 2-chome, Minato-ku, Tokyo, 107-8556, Japan. | | |
| (72) | Worawit CHAWALITNIMITKUL(Thailand); Ayumu TSUJI(Japanese) and Takashi WATANABE(Japanese). | | |
| (74) | LAO TRADEMARK AGENCY (LAO IP AGENCY). | | |
| (55) | | | |

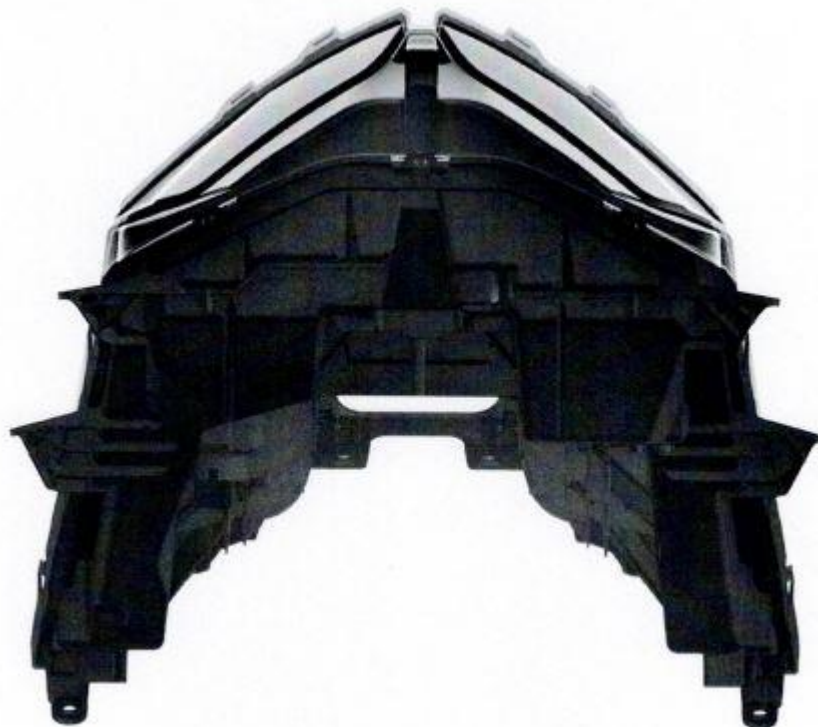




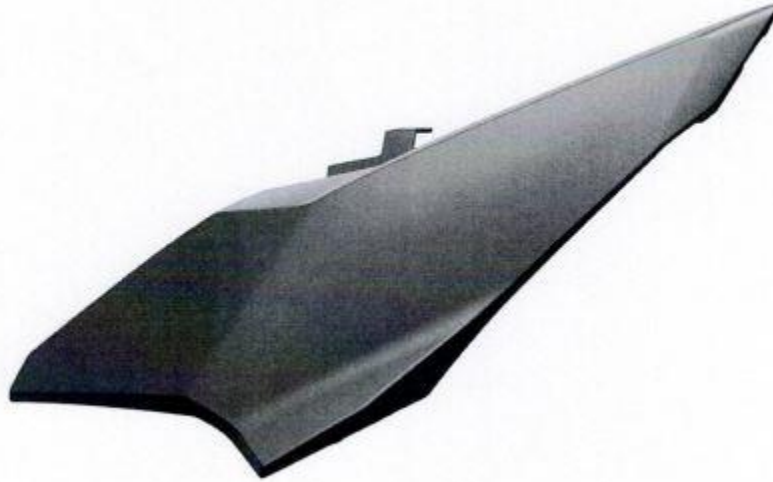




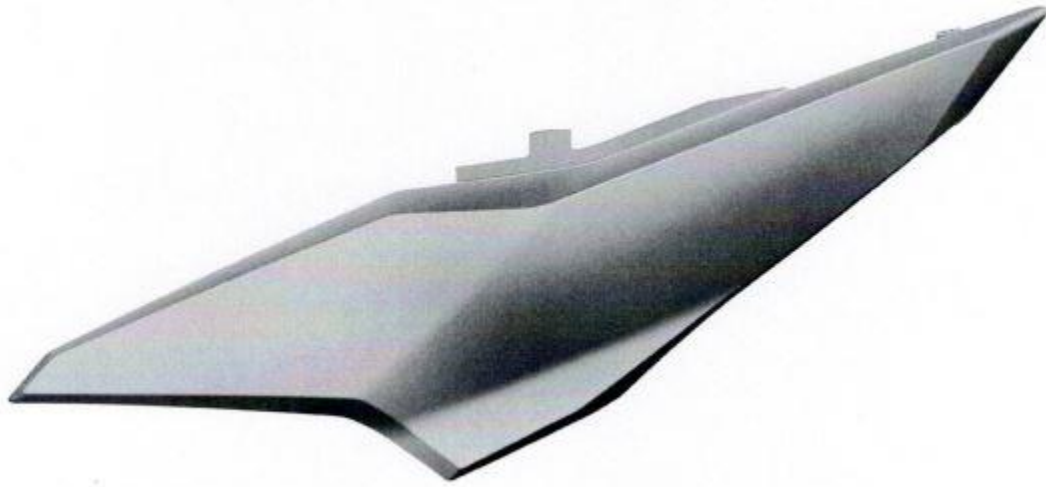


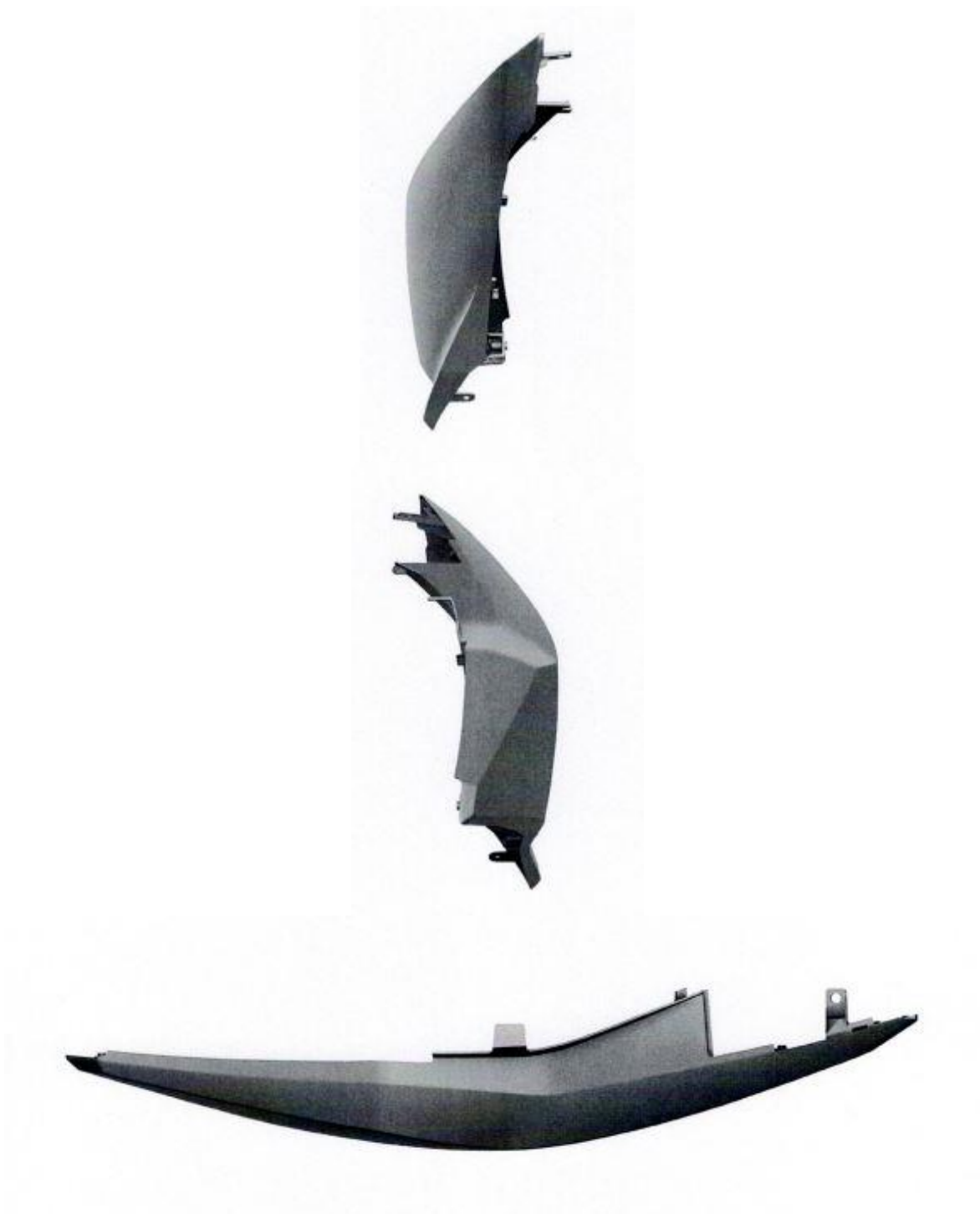


- | | | | |
|------|--|------|------------|
| (11) | No. 594 | (21) | ID 594 |
| (15) | 16/05/2022 | (22) | 17/02/2022 |
| (28) | | (17) | 17/02/2027 |
| (30) | 2021-017968 20/08/2021 JP | (51) | 12-11 |
| (54) | Rear Cover for Motor Scooter | | |
| (71) | HONDA MOTOR CO., LTD
1-1, Minami-Aoyama 2-chome, Minato-ku, Tokyo, 107-8556, Japan. | | |
| (72) | Kazuyuki TACHIBANA(Japanese) and Worawit CHAWALITNIMITKUL(Thailand). | | |
| (74) | LAO TRADEMARK AGENCY (LAO IP AGENCY). | | |
| (55) | | | |



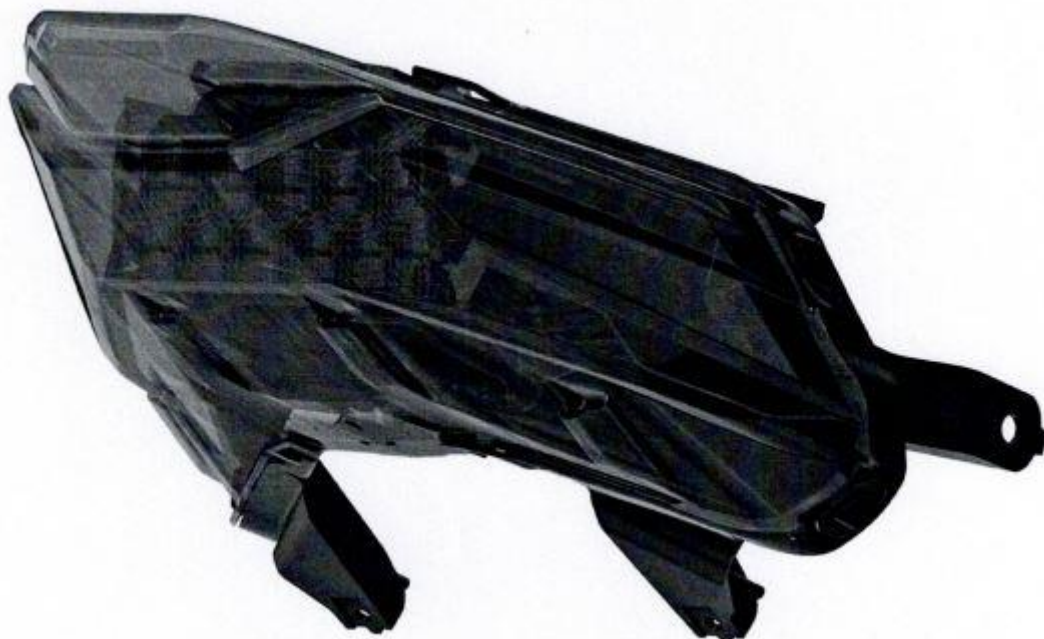




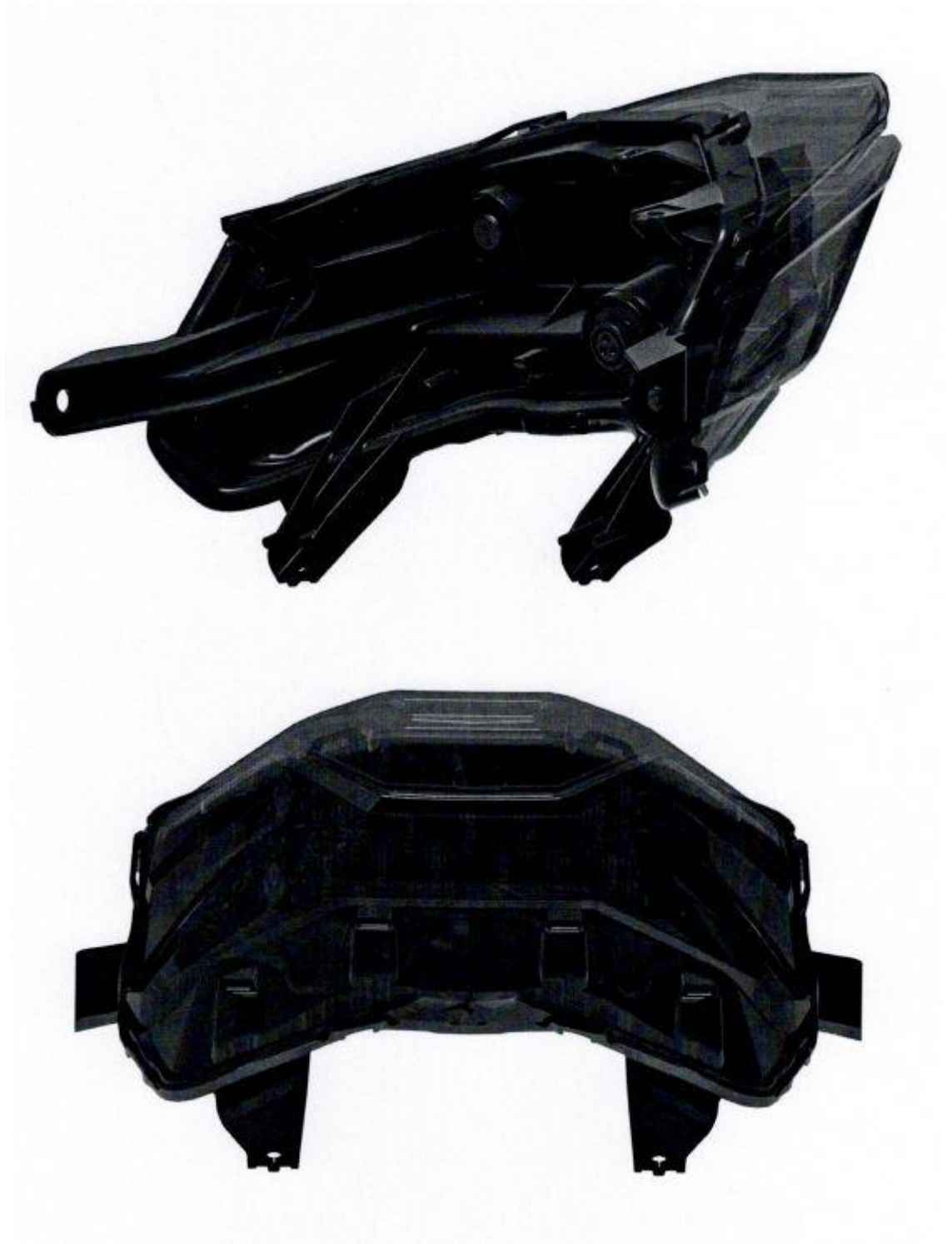


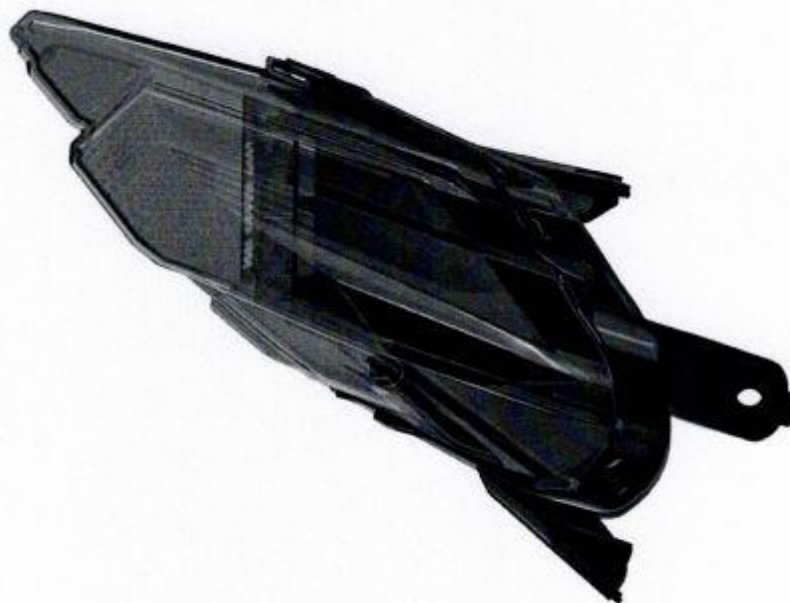


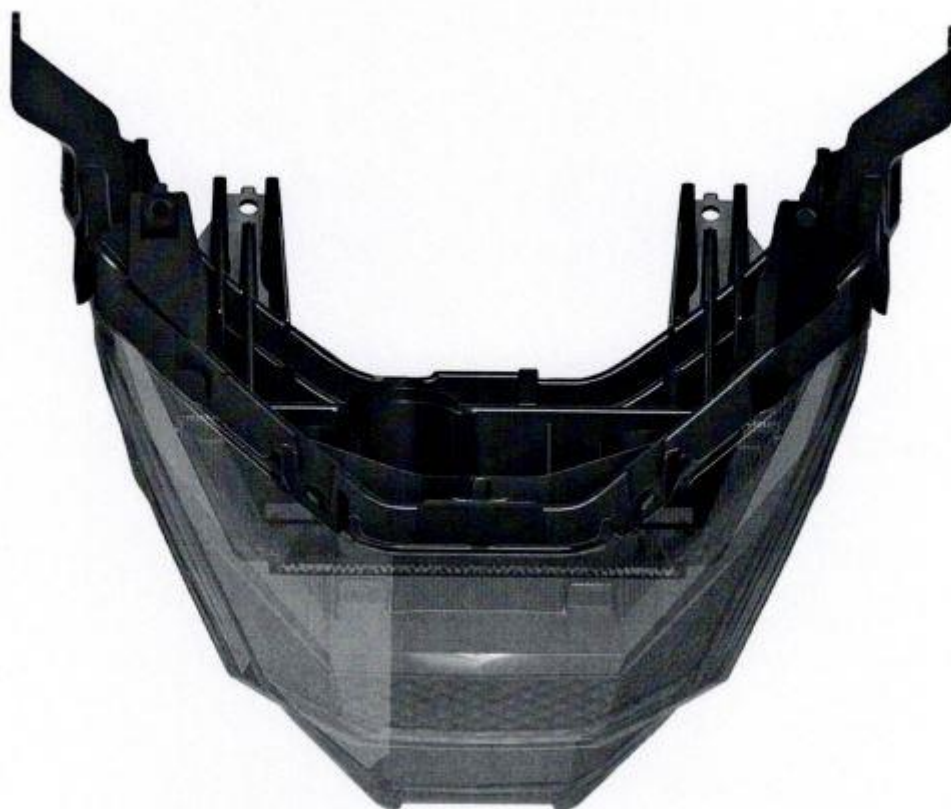
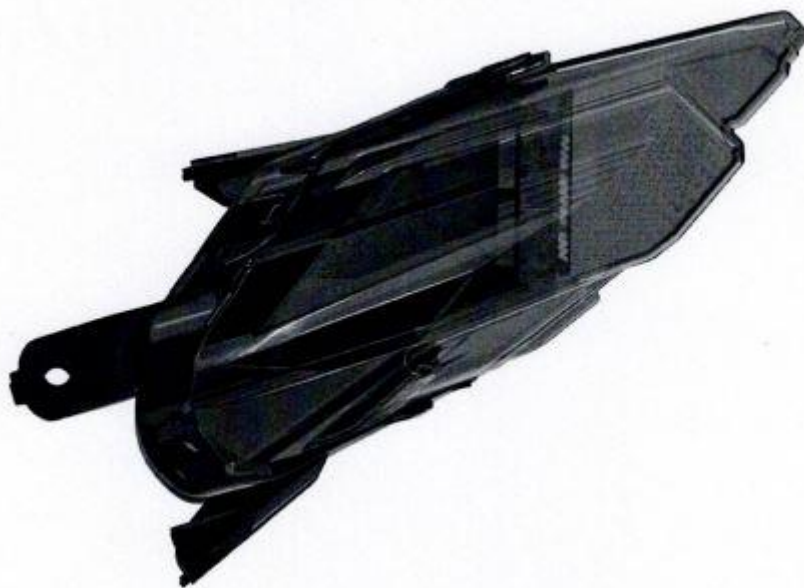
- | | | | |
|------|--|------|------------|
| (11) | No. 595 | (21) | ID 595 |
| (15) | 16/05/2022 | (22) | 17/02/2022 |
| (28) | | (17) | 17/02/2027 |
| (30) | 2021-017969 20/08/2021 JP | (51) | 26-06 |
| (54) | Tail Light for Motor Scooter | | |
| (71) | HONDA MOTOR CO., LTD
1-1, Minami-Aoyama 2-chome, Minato-ku, Tokyo, 107-8556, Japan. | | |
| (72) | Kazuyuki TACHIBANA(Japanese); Kaori KANEKO(Japanese) and Worawit CHAWALITNIMITKUL(Thailand). | | |
| (74) | LAO TRADEMARK AGENCY (LAO IP AGENCY). | | |
| (55) | | | |

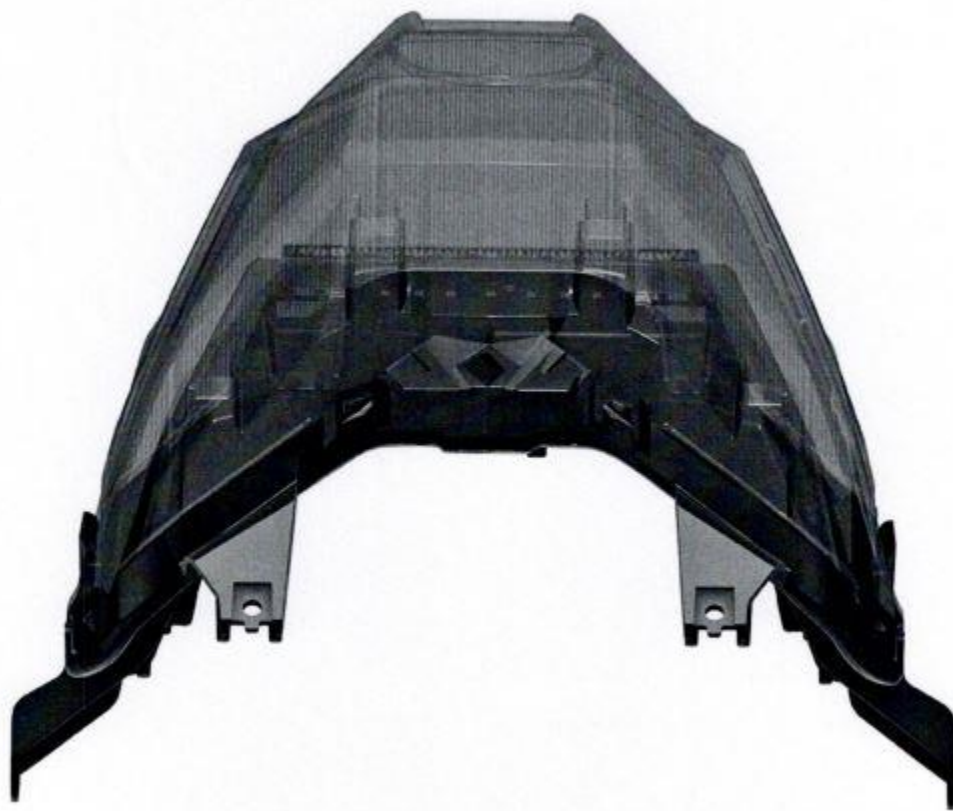














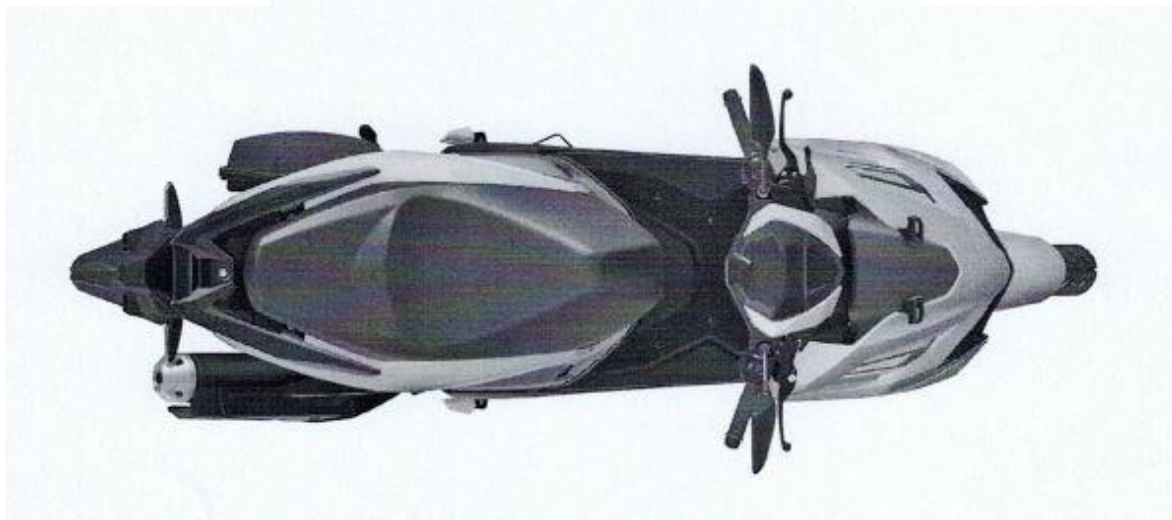
- | | | | |
|------|--|------|------------|
| (11) | No. 596 | (21) | ID 596 |
| (15) | 16/05/2022 | (22) | 18/02/2022 |
| (28) | | (17) | 18/02/2027 |
| (30) | 2021-017965 20/08/2021 JP | (51) | 12-11 |
| (54) | Motor Scooter | | |
| (71) | HONDA MOTOR CO., LTD
1-1, Minami-Aoyama 2-chome, Minato-Ku, Tokyo, 107-8556, Japan. | | |
| (72) | Takashi WATANABE(Japanese); Kazuyuki TACHIBANA(Japanese) and Worawit CHAWALITNIMITKUL(Thailand). | | |
| (74) | LAO TRADEMARK AGENCY (LAO IP AGENCY). | | |
| (55) | | | |

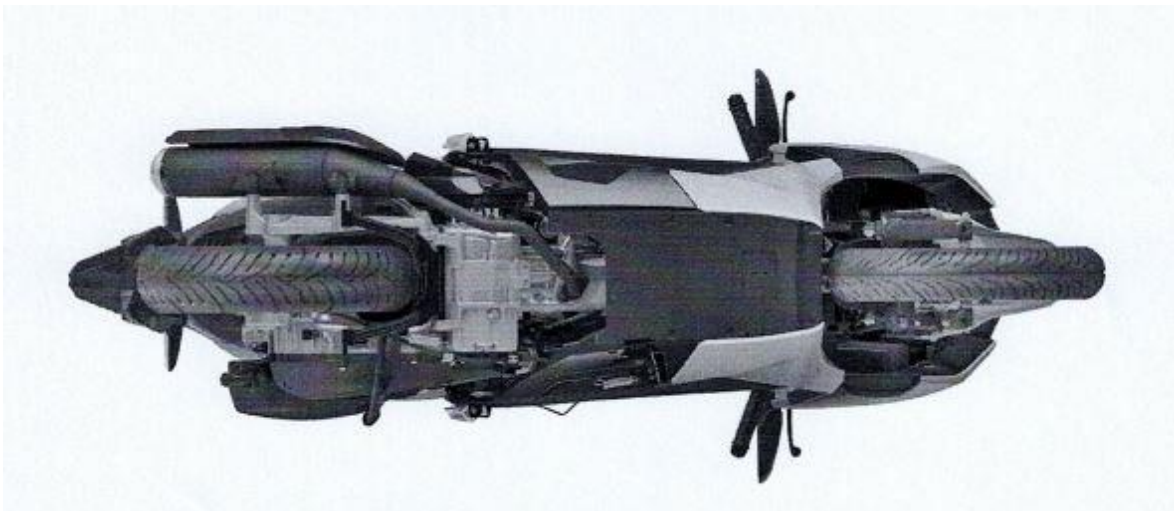












ພາກທີ II

(Part II)

ແບບອຸດສາຫະກຳ

(Industrial Design)

3. ການປ່ຽນແປງ

(Changes)

ພາກທີ II

(Part II)

ແບບອຸດສາຫະກຳ

(Industrial Design)

4. ການດັດແກ້

(Amendments)

ພາກທີ III
(Part III)
ເຄື່ອງໝາຍການຄ້າ
Trademarks

1. ຄໍາຮ້ອງ
(Applications)

ຄໍາອະທິບາຍກ່ຽວກັບລະຫັດຫຍໍ້
(Introduction of Codes)

- (540) ເຄື່ອງໝາຍການຄ້າ (Trademark)
- (511) ໝວດ (Nice Classification)
- (210) ເລກທີ ຄໍາຮ້ອງ (Number of the application)
- (220) ວັນທີ ຄໍາຮ້ອງ (Date of filing of the application)
- (732) ຊື່ ແລະ ທີ່ຢູ່ ຂອງຜູ້ຍື່ນຄໍາຮ້ອງ (Name and Address of applicant)

ພາກທີ III

(Part III)

ເຄື່ອງໝາຍການຄ້າ

Trademarks

2. ຜົນການຈົດທະບຽນ

(Registration)

ຄຳອະທິບາຍກ່ຽວກັບລະຫັດຫຍໍ້

(Introduction of Codes)

- (540) ເຄື່ອງໝາຍການຄ້າ (Trademark)
- (511) ໝວດ (Nice Classification)
- (210) ເລກທີ ຄຳຮ້ອງ (Number of the application)
- (220) ວັນທີ ຄຳຮ້ອງ (Date of filing of the application)
- (732) ຊື່ ແລະ ທີ່ຢູ່ ຂອງຜູ້ຍື່ນຄຳຮ້ອງ (Name and Address of applicant)
- (111) ເລກທີ ການຈົດທະບຽນເຄື່ອງໝາຍການຄ້າ (Number of the registration)
- (180) ວັນໝົດອາຍຸຂອງການຈົດທະບຽນ (Expiration date of the registration)

(540)



(511) 36

(210) No. 45655

(220) 17/03/2021

(732) ບໍລິສັດ ອາລີອັນສ໌ ປະກັນໄພລາວ ຈຳກັດ

ຖະໜົນ ລ້ານຊ້າງ, ຊັ້ນ 2 ອາຄານ ອາລີອັນສ

ປະກັນໄພລາວ, ຕູ້ ປ.ນ 4223, ບ້ານ ຫັດສະດີ,

ເມືອງຈັນທະບູລີ ນະຄອນຫຼວງວຽງຈັນ, ສປປ ລາວ

(111) No. 53665

(180) 17/03/2031

(540)

FANE

(511) 09

(210) No. 46360

(220) 01/11/2021

(732) Fane International Limited

Unit 4 Ripley Close Normanton Wakefield

WF6 1TB England, United Kingdom.

(111) No. 53689

(180) 01/11/2031

(540)

KIOXIA

(511) 07, 09, 35, 41 and 42

(210) No. 46362

(220) 01/11/2021

(732) KIOXIA Corporation

1-21, Shibaura 3-chome, Minato-ku, Tokyo,
Japan.

(111) No. 53690

(180) 01/11/2031

(540)

Lifree

(511) 03

(210) No. 46363

(220) 01/11/2021

(732) UNI-CHARM CORPORATIPN

182 Shimobun, Kinsei-cho, Shikokuchuo-shi,
Ehime-ken, japan.

(111) No. 53691

(180) 01/11/2031

(540)



(511) 33

(210) No. 46364

(220) 01/11/2021

(732) Sandro Bottega

Colle Umberto (TV- Italia), Via Tarlazzi n.
43, Italy.

(111) No. 53692

(180) 01/11/2031

(540)



(511) 03

(210) No. 46365

(220) 02/11/2021

(732) LAVO CORPORATION

11 Nguyen Son Street, Phu Thanh Ward, Tan
Phu District, Ho Chi Minh City, Vietnam.

(111) No. 53693

(180) 02/11/2031

(540)



(511) 35

(210) No. 46370

(220) 03/11/2021

(732) Bonchon International Inc.

48, Myeongnyesandan 2-ro, Jangan-eup,
Gijang-gun, Busan, Republic of Korea.

(111) No. 53694

(180) 03/11/2031

(540)



(511) 43

(210) No. 46371

(220) 03/11/2021

(732) Bonchon International Inc.

48, Myeongnyesandan 2-ro, Jangan-eup,
Gijang-gun, Busan, Republic of Korea.

(111) No. 53695

(180) 03/11/2031

(540)

Bonchon 

(511) 35

(210) No. 46372

(220) 03/11/2021

(732) Bonchon International Inc.

48, Myeongnyesandan 2-ro, Jangan-eup,
Gijang-gun, Busan, Republic of Korea.

(111) No. 53696

(180) 03/11/2031

(540)

Bonchon 

(511) 43

(210) No. 46373

(220) 03/11/2021

(732) Bonchon International Inc.

48, Myeongnyesandan 2-ro, Jangan-eup,
Gijang-gun, Busan, Republic of Korea.

(111) No. 53697

(180) 03/11/2031

(540)

CYO
Craft Your Own

(511) 09 and 34

(210) No. 46374

(220) 03/11/2021

(732) Diamond Quest Limited

OMC Chambers, P.O.Box 3152, Road Town,
Tortola, Virgin Islands (British).

(111) No. 53698

(180) 03/11/2031

(540)

CYO

(511) 34

(210) No. 46375

(220) 03/11/2021

(732) Diamond Quest Limited

OMC Chambers, P.O.Box 3152, Road Town,
Tortola, Virgin Islands (British).

(111) No. 53699

(180) 03/11/2031

(540)



(511) 09 and 34

(210) No. 46376

(220) 03/11/2021

(732) Diamond Quest Limited

OMC Chambers, P.O.Box 3152, Road Town,
Tortola, Virgin Islands (British).

(111) No. 53700

(180) 03/11/2031

(540)

DISCOVA

(511) 39 and 43

(210) No. 46377

(220) 04/11/2021

(732) Flight Centre Travel Group Limited

Southpoint, 275 Grey St, South Brisbane,
Queensland, 4101, Australia.

(111) No. 53701

(180) 04/11/2031

(540)

NATROL

(511) 05

(210) No. 46378

(220) 04/11/2021

(732) Natrol LLC

21411 Prairie Street, Chatsworth, CA 91311

United States Of America.

(111) No. 53702

(180) 04/11/2031

(540)

NATROL

(511) 05

(210) No. 46379

(220) 04/11/2021

(732) Natrol LLC

21411 Prairie Street, Chatsworth, CA 91311

United States Of America.

(111) No. 53703

(180) 04/11/2031

(540)

Saborino

(511) 03

(210) No. 46380

(220) 04/11/2021

(732) STYLINGLIFE HOLDINGS INC.

21-1, Kitashinjuku 2-chome, Shinjuku-ku
Tokyo 169-0074 Japan.

(111) No. 53704

(180) 04/11/2031

(540)

momopuri

(511) 03

(210) No. 46381

(220) 04/11/2021

(732) STYLINGLIFE HOLDINGS INC.

21-1, Kitashinjuku 2-chome, Shinjuku-ku
Tokyo 169-0074 Japan.

(111) No. 53705

(180) 04/11/2031

(540)

BCL

(511) 03

(210) No. 46382

(220) 04/11/2021

(732) STYLINGLIFE HOLDINGS INC.

21-1, Kitashinjuku 2-chome, Shinjuku-ku

Tokyo 169-0074 Japan.

(111) No. 53706

(180) 04/11/2031

(540)

**BCL Beauty Creative
Lap**

(511) 03

(210) No. 46383

(220) 04/11/2021

(732) STYLINGLIFE HOLDINGS INC.

21-1, Kitashinjuku 2-chome, Shinjuku-ku

Tokyo 169-0074 Japan.

(111) No. 53707

(180) 04/11/2031

(540)



(511) 30

(210) No. 46386

(220) 05/11/2021

(732) Prairie Marketing Company Limited
1 Mahavivat Building, 4th Floor. Soi
Krungthep-Kreetha 2 (Lerdnava)
Hua-Mark. Bangkepi. Bangkok 10240,
Thailand.

(111) No. 53708

(180) 05/11/2031

(540)



(511) 35

(210) No. 46387

(220) 05/11/2021

(732) Shopgenix Co.. Ltd.
No.49, Sukontasawas Road, Ladprao Sub-
District, Ladprao District. Bangkok, 10230,
Thailand.

(111) No. 53709

(180) 05/11/2031

(540)



(511) 04

(210) No. 46389

(220) 08/11/2021

(732) 1. PETROVIETNAM OIL LAO COMPANY
LIMITED

2. PETROVIETNAM OIL LAO
PETROLEUM DOMESTIC TRADING
SOLE CO.,LTD.

Sytharn Neau Village, Sikhottabong District,
Vientiane Capital, Lao PDR.

(111) No. 53710

(180) 08/11/2031

(540)

The logo for Loft consists of the word "Loft" in a bold, black, sans-serif font. The letter "o" is stylized with a white circle inside it.

(511) 35

(210) No. 46390

(220) 08/11/2021

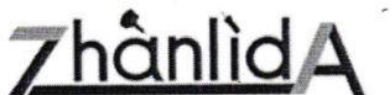
(732) The Loft Co., Ltd.

18-2 U dagawacho, Shibuyaku, Tokyo 150-
0042 Japan.

(111) No. 53711

(180) 08/11/2031

(540)



(511) 01

(210) No. 46391

(220) 08/11/2021

(732) Le Jingliang

Group 17, Machitang Village, Shunling
Town, Ningvuan County, Hunan Province,
China.

(111) No. 53712

(180) 08/11/2031

(540)



(511) 03

(210) No. 46392

(220) 08/11/2021

(732) UNI-CHARM CORPORATIPN

182 Shimobun, Kinsei-cho, Shikokuchuo-shi,
Ehime-ken, Japan.

(111) No. 53713

(180) 08/11/2031

(540)

HLK

(511) 12

(210) No. 46393

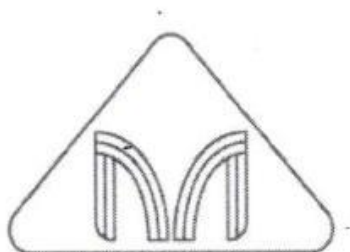
(220) 08/11/2021

(732) Lin' an Hualong Friction Material Co. ltd
19 songyun Road, longgang Town industrial
park, Iinan, Zhejiang Province, China.

(111) No. 53714

(180) 08/11/2031

(540)



(511) 03

(210) No. 46395

(220) 09/11/2021

(732) Jiang YiWen
Group 1, Lizhong Village, Niansanli Street,
Yiwu City, Zhejiang Province, China.

(111) No. 53715

(180) 09/11/2031

(540)



(511) 03

(210) No. 46396

(220) 09/11/2021

(732) Jiang YiWen

Group 1, Lizhong Village, Niansanli Street,
Yiwu City, Zhejiang Province, China.

(111) No. 53716

(180) 09/11/2031

(540)



(511) 03

(210) No. 46397

(220) 09/11/2021

(732) Jiang YiWen

Group 1, Lizhong Village, Niansanli Street,
Yiwu City, Zhejiang Province, China.

(111) No. 53717

(180) 09/11/2031

(540)

好 仗

(511) 03

(210) No. 46398

(220) 09/11/2021

(732) Jiang YiWen

Group 1, Lizhong Village, Niansanli Street,
Yiwu City, Zhejiang Province, China.

(111) No. 53718

(180) 09/11/2031

(540)



(511) 11 and 35

(210) No. 46359

(220) 01/11/2021

(732) ບໍລິສັດ ດັບເບິນຢູແອວ ການຄ້າລາວ ຂາເຂົ້າ-ຂາອອກ
ຈຳກັດຜູ້ດຽວ
ບ້ານ ດົງປາແຫຼບ, ເມືອງຈັນທະບູລີ,
ນະຄອນຫຼວງວຽງຈັນ, ສປປ ລາວ.

(111) No. 53719

(180) 01/11/2031

(540)



(511) 35

(210) No. 46361

(220) 01/11/2021

(732) ບໍລິສັດ ແອວດີ ການຢາ ແລະ ຜະລິດຕະພັນການແພດ

ຂາອອກ-ຂາເຂົ້າ ຈຳກັດຜູ້ດຽວ

ບ້ານ ໂພນພະເນົາ, ເມືອງໄຊເສດຖາ,

ນະຄອນຫຼວງວຽງຈັນ, ສປປ ລາວ.

(111) No. 53720

(180) 01/11/2031

(540)



(511) 35

(210) No. 46366

(220) 02/11/2021

(732) ນາງ ມະໂນທິບ ສິຣິປະພັນ

ນະຄອນຫຼວງວຽງຈັນ, ສປປ ລາວ.

(111) No. 53721

(180) 02/11/2031

(540)



(511) 20, 22, 24 and 35

(210) No. 46384

(220) 04/11/2021

(732) ບໍລິສັດ ກຣີນໄລຟ ຈຳກັດ

ບ້ານໂພນແຜງ, ເມືອງຄຳເກີດ, ແຂວງບໍລິຄຳໄຊ,

ສປປ ລາວ.

(111) No. 53722

(180) 04/11/2031

(540)



(511) 43

(210) No. 46385

(220) 04/11/2021

(732) ນາງ ເດືອນສາຍ ວັນນະພັດ

75/9, ໜູ່ທີ່ 2, ຕຳບົນ ໃນເມືອງ, ອຳເພີ ຂອນແກ່ນ,

ຈັງຫວັດ ຂອນແກ່ນ, ປະເທດໄທ.

(111) No. 53723

(180) 04/11/2031

(540)



(511) 09 and 42

(210) No. 46388

(220) 05/11/2021

(732) ບໍລິສັດ ຫາສິບເຈັດໄບ້ສ ຈຳກັດຜູ້ດຽວ

ບ້ານ ວັດນາກ, ເມືອງສີສັດຕະນາກ,

ນະຄອນຫຼວງວຽງຈັນ, ສປປ ລາວ.

(111) No. 53724

(180) 05/11/2031

(540)



(511) 30

(210) No. 46394

(220) 09/11/2021

(732) ບໍລິສັດ ກ້າວໜ້າ ຈຳກັດ

ບ້ານ ນາໄຮ, ເມືອງໄຊຍະບູລີ, ແຂວງໄຊຍະບູລີ,

ສປປ ລາວ.

(111) No. 53725

(180) 09/11/2031

(540)

The logo for 'diportto' is written in a lowercase, bold, italicized sans-serif font.

(511) 25

(210) No. 46399

(220) 09/11/2021

(732) ATOM (QUANZHOU) IMP & EXP
TRADING CO., LTD.

2/F, Block G, Sanfran commercial center,
No.577 Jitai Road, Qingmeng Economic
Zone, Quanzhou, Fujian, China.

(111) No. 53726

(180) 09/11/2031

(540)



(511) 09

(210) No. 46400

(220) 10/11/2021

(732) Guangzhou Lito technology Co.,Ltd.

RM 1114 South Tower No.159, Qiaozhong
Middle RD, Liwan DIST Guangzhou City
Guangdong Provtnce, China.

(111) No. 53727

(180) 10/11/2031

(540)

**JARROW
FORMULAS**

(511) 05

(210) No. 46402

(220) 12/11/2021

(732) Jarrow Formulas, Inc.

1824 South Robertson Boulevard. Los

Angeles, CA 90035

United States of America.

(111) No. 53728

(180) 12/11/2031

(540)

JARROW

(511) 05

(210) No. 46403

(220) 12/11/2021

(732) Jarrow Formulas, Inc.

1824 South Robertson Boulevard. Los

Angeles, CA 90035

United States Of America.

(111) No. 53729

(180) 12/11/2031

(540)



(511) 11

(210) No. 46404

(220) 15/11/2021

(732) MR, SARAWUT ASARASEE

52 SUKSAWAT 26 YAK 9,
BANGPRAKOK, RADBURANA,
BANGKOK 10140, THAILAND.

(111) No. 53730

(180) 15/11/2031

(540)

PAXLOVID

(511) 05

(210) No. 46405

(220) 15/11/2021

(732) Pfizer Inc.

235 East 42nd Street, New York 10017,
United States Of America.

(111) No. 53731

(180) 15/11/2031

(540)

iFACE

(511) 34

(210) No. 46406

(220) 15/11/2021

(732) LEADON TOBACCO INTERNATIONAL
PTE LTD.

141 Middle Road #05-06 GSM Building
188976, Singapore.

(111) No. 53732

(180) 15/11/2031

(540)

FACEOFF

(511) 34

(210) No. 46407

(220) 15/11/2021

(732) LEADON TOBACCO INTERNATIONAL
PTE LTD.

141 Middle Road #05-06 GSM Building
188976, Singapore.

(111) No. 53733

(180) 15/11/2031

(540)

更上一层楼

(511) 34

(210) No. 46408

(220) 15/11/2021

(732) HUIYU WANG

NO.136 ZHENGZHULOU VIL, ZHIFANG
TOWNSHIP, QINGFENG
COUNTY, PUYANG, HENAN PROV,
CHINA.

(111) No. 53734

(180) 15/11/2031

(540)

DOVE GO FRESH

(511) 03

(210) No. 46434

(220) 19/11/2021

(732) Unilever Global IP Limited

Port Sunlight, Wirral, Merseyside CH62 4ZD,
United Kingdom.

(111) No. 53735

(180) 19/11/2031

(540)



(511) 03 and 05

(210) No. 46435

(220) 19/11/2021

(732) Unilever Global IP Limited

Port Sunlight, Wirral, Merseyside CH62
4ZD, United Kingdom.

(111) No. 53736

(180) 19/11/2031

(540)



(511) 25

(210) No. 46436

(220) 19/11/2021

(732) NHS, INC.

104 BRONSON ST.STE.9, SANTA CRUZ,
CA 95062,
UNITED STATES OF AMERICA.

(111) No. 53737

(180) 19/11/2031

(540)



(511) 28

(210) No. 46437

(220) 19/11/2021

(732) NHS, INC.

104 BRONSON ST.STE.9, SANTA CRUZ,
CA 95062,
UNITED STATES OF AMERICA.

(111) No. 53738

(180) 19/11/2031

(540)



(511) 25

(210) No. 46438

(220) 19/11/2021

(732) NHS, INC.

104 BRONSON ST.STE.9, SANTA CRUZ,
CA 95062,
UNITED STATES OF AMERICA.

(111) No. 53739

(180) 19/11/2031

(540)



(511) 28

(210) No. 46439

(220) 19/11/2021

(732) NHS, INC.

104 BRONSON ST.STE.9, SANTA CRUZ,
CA 95062,
UNITED STATES OF AMERICA.

(111) No. 53740

(180) 19/11/2031

(540)



(511) 25

(210) No. 46440

(220) 19/11/2021

(732) NHS, INC.

104 BRONSON ST.STE.9, SANTA CRUZ,
CA 95062,
UNITED STATES OF AMERICA.

(111) No. 53741

(180) 19/11/2031

(540)



(511) 28

(210) No. 46441

(220) 19/11/2021

(732) NHS, INC.

104 BRONSON ST.STE.9, SANTA CRUZ,
CA 95062,
UNITED STATES OF AMERICA.

(111) No. 53742

(180) 19/11/2031

(540)



(511) 25

(210) No. 46442

(220) 19/11/2021

(732) NHS, INC.

104 BRONSON ST.STE.9, SANTA CRUZ,
CA 95062,
UNITED STATES OF AMERICA.

(111) No. 53743

(180) 19/11/2031

(540)



(511) 28

(210) No. 46443

(220) 19/11/2021

(732) NHS, INC.

104 BRONSON ST.STE.9, SANTA CRUZ,
CA 95062,
UNITED STATES OF AMERICA.

(111) No. 53744

(180) 19/11/2031

(540)



(511) 25

(210) No. 46444

(220) 19/11/2021

(732) NHS, INC.

104 BRONSON ST.STE.9, SANTA CRUZ,
CA 95062,
UNITED STATES OF AMERICA.

(111) No. 53745

(180) 19/11/2031

(540)

The logo consists of the words "MOB" and "GRIP" stacked vertically in a bold, black, sans-serif font. The letter "O" in "MOB" is a white circle with a black outline.

(511) 28

(210) No. 46445

(220) 19/11/2021

(732) NHS, INC.

104 BRONSON ST.STE.9, SANTA CRUZ,
CA 95062,
UNITED STATES OF AMERICA.

(111) No. 53746

(180) 19/11/2031

(540)



(511) 01, 03, 05, 06, 07, 09, 12, 29, 30, 32, 35, 37,
39, 41, 42, 43 and 44

(210) No. 46446

(220) 22/11/2021

(732) Qinghai Salt Lake Industry Co., Ltd.

No.28 Huanghe Road. Golmud City, Qinghai
Province, China.

(111) No. 53747

(180) 22/11/2031

(540)



(511) 29

(210) No. 46409

(220) 15/11/2021

(732) SUN LEE, INC

12029 Telegraph Road, Santa Fe Springs, CA
90670, United States Of America.

(111) No. 53749

(180) 15/11/2031

(540)



(511) 30

(210) No. 46410

(220) 15/11/2021

(732) SUN LEE, INC

12029 Telegraph Road, Santa Fe Springs, CA
90670, United States Of America.

(111) No. 53750

(180) 15/11/2031

(540)



(511) 32

(210) No. 46411

(220) 15/11/2021

(732) SUN LEE, INC

12029 Telegraph Road, Santa Fe Springs, CA
90670, United States Of America.

(111) No. 53751

(180) 15/11/2031

(540)

Smart Motion

(511) 07 and 11

(210) No. 46412

(220) 15/11/2021

(732) LG ELECTRONICS INC.

128, Yeoui-daero, Yeongdeungpo-gu, Seoul,
07336, Republic of Korea

(111) No. 53752

(180) 15/11/2031

(540)

Punch 3

(511) 07 and 11

(210) No. 46413

(220) 15/11/2021

(732) LG ELECTRONICS INC.

128, Yeoui-daero, Yeongdeungpo-gu, Seoul,
07336, Republic of Korea

(111) No. 53753

(180) 15/11/2031

(540)

Side Waterfall

(511) 07 and 11

(210) No. 46414

(220) 15/11/2021

(732) LG ELECTRONICS INC.

128, Yeoui-daero, Yeongdeungpo-gu, Seoul,
07336, Republic of Korea

(111) No. 53754

(180) 15/11/2031

(540)

Bodega Hostels

(511) 25, 39 and 43

(210) No. 46415

(220) 16/11/2021

(732) Collective Hospitality Pte. Ltd.

19 Clementi Crescent, 599522, Singapore.

(111) No. 53755

(180) 16/11/2031

(540)



(511) 25, 39 and 43

(210) No. 46416

(220) 16/11/2021

(732) Collective Hospitality Pte. Ltd.

19 Clementi Crescent, 599522, Singapore.

(111) No. 53756

(180) 16/11/2031

(540)

**Slumber Party Hostel
& Bar**

(511) 25, 39 and 43

(210) No. 46417

(220) 16/11/2021

(732) Collective Hospitality Pte. Ltd.

19 Clementi Crescent, 599522, Singapore.

(111) No. 53757

(180) 16/11/2031

(540)



(511) 25, 39 and 43

(210) No. 46418

(220) 16/11/2021

(732) Collective Hospitality Pte. Ltd.

19 Clementi Crescent, 599522, Singapore.

(111) No. 53758

(180) 16/11/2031

(540)

Socialtel

(511) 25, 39 and 43

(210) No. 46419

(220) 16/11/2021

(732) Collective Hospitality Pte. Ltd.

19 Clementi Crescent, 599522, Singapore.

(111) No. 53759

(180) 16/11/2031

(540)

SOCIA/TEL

(511) 25, 39 and 43

(210) No. 46420

(220) 16/11/2021

(732) Collective Hospitality Pte. Ltd.

19 Clementi Crescent, 599522, Singapore.

(111) No. 53760

(180) 16/11/2031

(540)



(511) 12

(210) No. 46421

(220) 16/11/2021

(732) LB AUTO FORCE (M) SDN. BHD.

LOT 882, BATU 40, JALAN HAJI

MOHAMMAD, 45200 SABAK BERNAM,

SELANGOR, MALAYSIA.

(111) No. 53761

(180) 16/11/2031

(540)

POP-TARTS

(511) 30

(210) No. 46423

(220) 18/11/2021

(732) KELLOGG COMPANY

One Kellogg Square. Battle Creek. Michigan

49016. United States Of America.

(111) No. 53762

(180) 18/11/2031

(540)



(511) 12

(210) No. 46424

(220) 18/11/2021

(732) TOYOTA JIDOSHA KABUSHIKI KAISHA

(also trading as Toyota Motor Corporation)

1, Toyota-cho, Toyata-shi, Aichi-ken, Japan.

(111) No. 53763

(180) 18/11/2031

(540)



(511) 09, 10 and 21

(210) No. 46425

(220) 18/11/2021

(732) Sri Trang Gloves (Thailand) Public Company

Limited

No, 110, Kanjanavanit Road, Pahtong Sub-

District, Hat Yai District, Songkhla Province

90230, Thailand.

(111) No. 53764

(180) 18/11/2031

(540)



(511) 09, 10 and 21

(210) No. 46426

(220) 18/11/2021

(732) Sri Trang Gloves (Thailand) Public Company Limited

No, 110, Kanjanavanit Road, Pahtong Sub-District, Hat Yai District, Songkhla Province 90230, Thailand.

(111) No. 53765

(180) 18/11/2031

(540)



(511) 09, 10 and 21

(210) No. 46427

(220) 18/11/2021

(732) Sri Trang Gloves (Thailand) Public Company Limited

No, 110, Kanjanavanit Road, Pahtong Sub-District, Hat Yai District, Songkhla Province 90230, Thailand.

(111) No. 53766

(180) 18/11/2031

(540)



(511) 25, 39 and 43

(210) No. 46428

(220) 18/11/2021

(732) Collective Hospitality Pte. Ltd.

19 Clementi Crescent, 599522, Singapore.

(111) No. 53767

(180) 18/11/2031

(540)



(511) 25, 39 and 43

(210) No. 46429

(220) 18/11/2021

(732) Collective Hospitality Pte. Ltd.

19 Clementi Crescent, 599522, Singapore.

(111) No. 53768

(180) 18/11/2031

(540)

resso

(511) 09, 35, 38, 41, 42 and 45

(210) No. 46430

(220) 19/11/2021

(732) Lemon Inc.

P.O. Box 31119 Grand Pavilion, Hibiscus

Way,

802 West Bay Road, Grand Cayman, KYI -

1205, Cayman Islands.

(111) No. 53769

(180) 19/11/2031

(540)



(511) 09, 35, 38, 41, 42 and 45

(210) No. 46431

(220) 19/11/2021

(732) Lemon Inc.

P.O. Box 31119 Grand Pavilion, Hibiscus

Way, 802 West Bay Road, Grand Cayman,

KY1-120, Cayman Islands.

(111) No. 53770

(180) 19/11/2031

(540)

BONAVIDEA

(511) 05

(210) No. 46432

(220) 19/11/2021

(732) Phaidros Healthcare Private Ltd.

545 Orchard Road, #05-17, 238882,
Singapore.

(111) No. 53771

(180) 19/11/2031

(540)

BONAVIDEA

(511) 03

(210) No. 46433

(220) 19/11/2021

(732) Phaidros Healthcare Private Ltd.

545 Orchard Road, #05-17, 238882,
Singapore.

(111) No. 53772

(180) 19/11/2031

(540)



(511) 35

(210) No. 46447

(220) 22/11/2021

(732) ບໍລິສັດ ເອັມເຄອີ ເອເລັກໂທຼນິກ ລາວ ຈຳກັດ

ຖະໜົນສຸພານຸວົງ, ບ້ານວັດໄຕນ້ອຍ,

ເມືອງສີໂຄດຕະບອງ, ນະຄອນຫຼວງວຽງຈັນ, ສປປ ລາວ

(111) No. 53773

(180) 22/11/2031

(540)



(511) 01

(210) No. 46422

(220) 18/11/2021

(732) ໂຮງງານ ລາວ ອິນເຕີໂປຣ ສ່ວນບຸກຄົນ

ບ້ານ ໜອງໄຮ, ເມືອງຫາດຊາຍຝອງ,

ນະຄອນຫຼວງວຽງຈັນ, ສປປ ລາວ

(111) No. 53774

(180) 18/11/2031

(540)



(511) 05, 29, 30, 32 and 35

(210) No. 46450

(220) 23/11/2021

(732) Inner Mongolia Mengniu Dairy (Group)

Company Limited

Shengle Economic Zone, Helingeer County ,

Huhhot, Inner Mongolia, People's Republic of
china.

(111) No. 53775

(180) 23/11/2031

(540)



(511) 28

(210) No. 46451

(220) 23/11/2021

(732) Zhu Ming

No.90 Xiqiao East Village, Jiangyan Town,

Jiangyan City, Jiangsu Province, China.

(111) No. 53776

(180) 23/11/2031

(540)



(511) 34

(210) No. 46452

(220) 23/11/2021

(732) British American Tobacco (Brands) Limited
Globe House, 4 Temple Place London WC2R
2PG, United Kingdom.

(111) No. 53777

(180) 23/11/2031

(540)



(511) 09

(210) No. 46454

(220) 25/11/2021

(732) ShenZhen Houshuxia Technology Co.,LTD
Rm 203, 2nd Floor, Building C, Youth
Pioneer Park, Jianshe East Road, TSinghua
Community, Longhua Street, Longhua
District, Shenzhen, P, R. China.

(111) No. 53778

(180) 25/11/2031

(540)



(511) 34

(210) No. 46455

(220) 26/11/2021

(732) British American Tobacco (Brands) Limited
Globe House,4 Temple Place, London WC2R
2PG, United Kingdom.

(111) No. 53779

(180) 26/11/2031

(540)



(511) 08

(210) No. 46456

(220) 29/11/2021

(732) Gaoqing, Li
No. 20. Youqiao Group, Juntian Village,
JiuLongLing Torvn, Shaodong County,
Shaoyang City, Hunan, China.

(111) No. 53780

(180) 29/11/2031

(540)

GEEMY

(511) 08 and 11

(210) No. 46457

(220) 29/11/2021

(732) Lv Yangfen

Laozhai, Dagutang Village, Zhouxiang
Torvn, Cixi City, Zhejiang, China.

(111) No. 53781

(180) 29/11/2031

(540)

**STARBUCKS 1971
DARK ROAST**

(511) 30

(210) No. 46458

(220) 29/11/2021

(732) Starbucks Corporation

2401 Utah Avenue South, Seattle, Washington
98134,
United States Of America.

(111) No. 53782

(180) 29/11/2031

(540)

Comfort Fresh

(511) 05

(210) No. 46459

(220) 29/11/2021

(732) UNI-CHARM CORPORATIPN

182 Shimobun, Kinsei-cho, Shikokuchuo-shi,
Ehime-ken, Japan.

(111) No. 53783

(180) 29/11/2031

(540)

Cooling Fresh

(511) 05

(210) No. 46460

(220) 29/11/2021

(732) UNI-CHARM CORPORATION

182 Shimobun, Kinsei-cho, Shikokuchuo-shi,
Ehime-ken, Japan.

(111) No. 53784

(180) 29/11/2031

(540)



(511) 03

(210) No. 46461

(220) 29/11/2021

(732) NEO FACTORY COMPANY LIMITED

168 Moo 5 Bueng Kho Hai, Lamlukka,
Pathumthani 12150, Thailand.

(111) No. 53785

(180) 29/11/2031

(540)

Q-DEE

(511) 05

(210) No. 46462

(220) 29/11/2021

(732) HIMALAYA GLOBAL HOLDINGS LTD.

HIMALAYA HOUSE, 138 ELGIN AVENUE,
P O BOX 1162, GRAND CAYMAN, KY1-
1102, CAYMAN ISLANDS.

(111) No. 53786

(180) 29/11/2031

(540)

Vioza

(511) 05

(210) No. 46463

(220) 29/11/2021

(732) HIMALAYA GLOBAL HOLDINGS LTD.

HIMALAYA HOUSE, 138 ELGIN AVENUE,

P O BOX 1162, GRAND CAYMAN, KY1-

1102, CAYMAN ISLANDS.

(111) No. 53787

(180) 29/11/2031

(540)

Hair deals

(511) 03

(210) No. 46464

(220) 29/11/2021

(732) Yunnan Yuyao Bio-Pharmaceutical Co., Ltd.

High & New Technology Industries

Development Zone, Yuxi City, Yunnan

Province, China.

(111) No. 53788

(180) 29/11/2031

(540)

Hair deals

(511) 05

(210) No. 46465

(220) 29/11/2021

(732) Yunnan Yuyao Bio-Pharmaceutical Co., Ltd.

High & New Technology Industries

Development Zone, Yuxi City, Yunnan

Province, China.

(111) No. 53789

(180) 29/11/2031

(540)

Mi Sound Lab

(511) 09

(210) No. 46466

(220) 30/11/2021

(732) Xiaomi Inc.

No. 006, Floor 6, Building 6, Yard 33,

Middle Xierqi Road, Haidian District

Beijing, China.

(111) No. 53790

(180) 30/11/2031

(540)

LianhuaQingfei

(511) 30

(210) No. 46468

(220) 30/11/2021

(732) Shijiazhuang Yiling Pharmaceutical Co., Ltd
238, Tianshan Street, Hi-Tech Area,
Shijiazhuang Hebei Province, 050035, China.

(111) No. 53791

(180) 30/11/2031

(540)

连花清菲

(511) 30

(210) No. 46469

(220) 30/11/2021

(732) Shijiazhuang Yiling Pharmaceutical Co., Ltd
238, Tianshan Street, Hi-Tech Area,
Shijiazhuang Hebei Province, 050035, China.

(111) No. 53792

(180) 30/11/2031

(540)



(511) 35

(210) No. 46467

(220) 30/11/2021

(732) ບໍລິສັດ ວິເຄາະຄ້າ ຂາອອກ-ຂາເຂົ້າ ຈຳກັດຜູ້ດຽວ

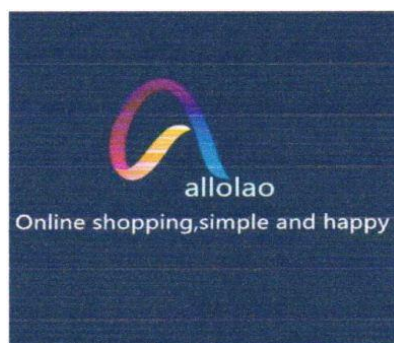
ບ້ານ ໄຊມຸງຄຸນ, ເມືອງນາຊາຍທອງ,

ນະຄອນຫຼວງວຽງຈັນ, ສປປ ລາວ

(111) No. 53793

(180) 30/11/2031

(540)



(511) 35

(210) No. 46470

(220) 30/11/2021

(732) ບໍລິສັດ ອາໂຫຼລາວການຄ້າ ຂາອອກ-ຂາເຂົ້າ ຈຳກັດ

ບ້ານ ສີດຳດວນ, ເມືອງຈັນທະບູລີ,

ນະຄອນຫຼວງວຽງຈັນ, ສປປ ລາວ

(111) No. 53794

(180) 30/11/2031

(540)



(511) 09

(210) No. 46471

(220) 30/11/2021

(732) ບໍລິສັດ ລາວຢຸນດາ ການຄ້າ ຂົນສົ່ງ ຂາເຂົ້າ-ຂາອອກ

ຈຳກັດຜູ້ດຽວ

ບ້ານ ໜອງສະໂນຄຳ, ເມືອງ ສີໂຄເຕະບອງ,

ນະຄອນຫຼວງວຽງຈັນ, ສປປ ລາວ.

(111) No. 53795

(180) 30/11/2031

ພາກທີ III
(Part III)
ເຄື່ອງໝາຍການຄ້າ
Trademarks

3. ການຕໍ່ອາຍຸ
(Renewal)

ຄຳອະທິບາຍກ່ຽວກັບລະຫັດຫຍໍ້
(Introduction of Codes)

- (540) ເຄື່ອງໝາຍການຄ້າ (Trademark)
- (511) ໝວດ (Nice Classification)
- (210) ເລກທີ ຄຳຮ້ອງ (Number of the application)
- (220) ວັນທີ ຄຳຮ້ອງ (Date of filing of the application)
- (732) ຊື່ ແລະ ທີ່ຢູ່ ຂອງຜູ້ຍື່ນຄຳຮ້ອງ (Name and Address of applicant)
- (111) ເລກທີການຈົດທະບຽນເຄື່ອງໝາຍການຄ້າ (Number of the registration)
- (180) ການຕໍ່ອາຍຸການຈົດທະບຽນ (Expiration date of the renewal)

(540) Renewal

COVERSYL

(511) 05

(210) No. 468

(220) 25/03/1992

(732) BIOFARMA

50, rue Carnot, 92284 Suresnes Cedex,
France.

(111) No. 443

(180) 18/01/2032

ພາກທີ III

(Part III)

ເຄື່ອງໝາຍການຄ້າ

Trademarks

4. ການປ່ຽນແປງ

(Changes)

ພາກທີ III
(Part III)
ເຄື່ອງໝາຍການຄ້າ
Trademarks

5. ການດັດແກ້
(Amendments)

ພາກທີ IV

(Part IV)

ເຄື່ອງໝາຍການຄ້າຜ່ານລະບົບມາດຣິດ

Trademarks via Madrid Protocol

1. ຄໍາຮ້ອງ

(Applications)

ຄໍາອະທິບາຍກ່ຽວກັບລະຫັດຫຍໍ້ (Introduction of Codes)

- (540) ເຄື່ອງໝາຍການຄ້າ (Trademark)
- (511) ໝວດ (Nice Classification)
- (210) ເລກທີ ຄໍາຮ້ອງ (Number of the application)
- (220) ວັນທີ ຄໍາຮ້ອງ (Date of filing of the application)
- (732) ຊື່ ແລະ ທີ່ຢູ່ ຂອງຜູ້ຍື່ນຄໍາຮ້ອງ (Name and Address of applicant)

(540)

CELINE

(511) 03, 09, 14, 16, 18, 24 and 25

(210) No. M/0721175

(220) 29/03/2022

(732) CELINE

16 rue Vivienne F-75002 PARIS, France.

(540)

PHYSIODOSE

(511) 05 and 38

(210) No. M/0761003

(220) 31/03/2022

(732) FINANCIERE BATTEUR

Avenue du Général de Gaulle F-14200
HEROUVILLE SAINT CLAIR, France.

(540)

MARIMER

(511) 03 and 05

(210) No. M/0802720

(220) 31/03/2022

(732) FINANCIERE BATTEUR

Avenue du Général de Gaulle F-14200

HEROUVILLE SAINT CLAIR, France.

(540)

貴煙

(511) 34

(210) No. M/1315374

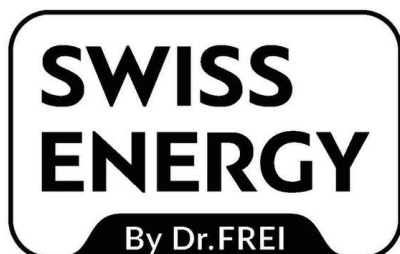
(220) 13/04/2022

(732) China Tobacco Guizhou Industrial Co., Ltd.

No.25, Youyi Road, Yunyan District,

Guiyang City Guizhou Province, China.

(540)



(511) 03, 05, 30 and 32

(210) No. M/1479012

(220) 20/11/2021

(732) SwissEnergy Pharma GmbH

Unterlettenstrasse 14 CH-9443 Widnau,
Switzerland.

(540)

CIVUPLIM

(511) 05

(210) No. M/1522825

(220) 07/04/2022

(732) CHUGAI SEIYAKU KABUSHIKI KAISHA

(Chugai Pharmaceutical Co., Ltd.)

5-1, Ukima 5-Chome, Kita-Ku Tokyo 115-
8543, Japan.

(540)

COLTS

(511) 34

(210) No. M/1605353

(220) 27/04/2022

(732) Scandinavian Tobacco Group Eersel B.V.

Nieuwstraat 75 NL-5521 CB Eersel,
Netherlands.

(540)

SETIC

(511) 07 and 42

(210) No. M/1628010

(220) 28/03/2022

(732) SETIC

126 rue de Mâtel, Zone Industrielle de Mâtel F-
42300 Roanne, France.

(540)

**ONE WORLD ONE
HOME**

(511) 16, 25 and 41

(210) No. M/1641832

(220) 30/03/2022

(732) beIN Media Group LLC

beIN Sports Building, TV & Radio Complex,
TV Roundabout, Bin Omran, Doha, Qatar.

(540)

duou

(511) 03

(210) No. M/1660051

(220) 18/01/2022

(732) Peilai Brand Management Co., Ltd.

688 Pangjin Road, Wujiang Economic and
Technological Development Zone, Suzhou
City 215000 Jiangsu Province, China.

(540)

Fruit Ways

(511) 09, 28 and 41

(210) No. M/1660101

(220) 16/12/2021

(732) Euro Games Technology Ltd.

4, "Maritsa" Str., "Vranya-Lozen-Triugulnika"
BG-1151 Sofia, Bulgaria.

(540)



(511) 07

(210) No. M/1660170

(220) 09/03/2022

(732) Hebei Daishi Science and Technology Ltd.

400 meters north of the village council,
Liyang Village, Qitou Town, Circular
chemical industry park, Shijiazhuang City
Hebei Province, China.

(540)

The logo features the word "WINNER" in a small, yellow, sans-serif font above the word "SELECTION2". "SELECTION2" is in a large, bold, red font with a yellow outline and a slight 3D effect. The "2" is significantly larger than the other letters.

(511) 09, 28 and 41

(210) No. M/1660216

(220) 16/12/2021

(732) Euro Games Technology Ltd.

4, "Maritsa" Str., "Vranya-Lozen-

Triugulnika" BG-1151 Sofia, Bulgaria.

(540)

The logo consists of the text "Dr. AirWair" in a stylized, italicized font above the word "Martens" in a large, bold, black font. Below "Martens" is a graphic element resembling a shoe sole or a stylized 'M' shape with horizontal lines.

(511) 25

(210) No. M/1660305

(220) 10/03/2022

(732) GFM GmbH Trademarks

An der Ach 3 82402 Seeshaupt, Germany.

(540)



(511) 11

(210) No. M/1660467

(220) 25/03/2022

(732) Tongling Hongan Solar Energy Technology Co., Ltd.

Shizishan North Road, Tongling City Anhui Province, China.

(540)



(511) 09, 28 and 41

(210) No. M/1660722

(220) 12/01/2022

(732) Euro Games Technology Ltd.

4, "Maritsa" Str., "Vranya-Lozen-Triugulnika" BG-1151 Sofia, Bulgaria.

(540)

THINKCAR

(511) 09 and 37

(210) No. M/1660760

(220) 27/01/2022

(732) THINKCAR TECH CO., LTD.

2606, Building 4, Phase II, TiananYungu,
Gangtou Community, Bantian, Longgang
District, Shenzhen Guangdong, China.

(540)

味满满

(511) 29

(210) No. M/1660841

(220) 03/11/2021

(732) Hubei Xianming Ecological Agriculture Co.,
Ltd

(In Kelisheng Bacteriology Institute) 137
Hangtian Road, Mingfeng Town, Yuan'an
County, Yichang City Hubei Province, China.

(540)

HERBA MATSU OIL

(511) 03

(210) No. M/1660885

(220) 19/11/2021

(732) PT. Bina Karya Prima

Jl. Raya Bekasi Km. 27, Pejuang, Medan
Satria, Bekasi Jawa Barat, Indonesia.

(540)

HONOR Magic Z

(511) 09

(210) No. M/1660891

(220) 16/11/2021

(732) Honor Device Co., Ltd.

Suite 3401, Unit A, Building 6, Shum Yip Sky
Park, No. 8089, Hongli West Road,
Xiangmihu Street, Futian District, Shenzhen
518040 Guangdong, China.

(540)

Magic Flip

(511) 09

(210) No. M/1660894

(220) 16/11/2021

(732) Honor Device Co., Ltd.

Suite 3401, Unit A, Building 6, Shum Yip Sky
Park, No. 8089, Hongli West Road,
Xiangmihu Street, Futian District, Shenzhen
518040 Guangdong, China.

(540)

AMOI

(511) 09 and 11

(210) No. M/1660900

(220) 04/01/2022

(732) AMOI TECHNOLOGY CO., LTD.

5F-501, Kexun Bldg, Software Park, Torch
High-Tech Zone, Xiamen City 361013 Fujian
Province, China.

(540)

**MAGSAFE
CHARGING CASE**

(511) 09

(210) No. M/1660956

(220) 04/04/2022

(732) Apple Inc.

One Apple Park Way Cupertino CA 95014,
United States Of America.

(540)

LEGEND BLUE

(511) 34

(210) No. M/1661020

(220) 29/03/2022

(732) Japan Tobacco Inc.1-1

Toranomon 4-chome, Minato-ku Tokyo,
Japan.

(540)

HONOR Magic X

(511) 09

(210) No. M/1661028

(220) 16/11/2021

(732) Honor Device Co., Ltd.

Suite 3401, Unit A, Building 6, Shum Yip Sky
Park, No. 8089, Hongli West Road,
Xiangmihu Street, Futian District, Shenzhen
518040 Guangdong, China.

(540)

HONOR Magic W

(511) 09

(210) No. M/1661029

(220) 16/11/2021

(732) Honor Device Co., Ltd.

Suite 3401, Unit A, Building 6, Shum Yip Sky
Park, No. 8089, Hongli West Road,
Xiangmihu Street, Futian District, Shenzhen
518040 Guangdong, China.

(540)



Movement that inspires

(511) 07

(210) No. M/1661047

(220) 19/01/2022

(732) Kia Corporation

12, Heolleung-ro, Seocho-gu Seoul 06797,
Republic Of Korea.

(540)

EXEGER

(511) 06, 07, 09, 11, 12, 14, 18, 19, 20, 25, 28, 37,
40 and 42

(210) No. M/1661075

(220) 14/09/2021

(732) Exeger Operations AB

Box 55597 SE-102 04 Stockholm, Sweden.

(540)

SENROG

(511) 08 and 23

(210) No. M/1661088

(220) 30/03/2022

(732) Ningbo Senrog Tools Co., Ltd.

Room 1104, No. 158 Taian Middle Road,
Shounan Sub-District, Yinzhou District,
Ningbo City 315000 Zhejiang, China.

(540)

TOBLERONE

(511) 09, 14, 16, 18, 21, 24 and 25

(210) No. M/1661105

(220) 07/07/2020

(732) Kraft Foods Schweiz Holding GmbH

Chollerstrasse 4 CH-6300 Zug, Switzerland.

ພາກທີ IV

(Part IV)

ເຄື່ອງໝາຍການຄ້າຜ່ານລະບົບມາດຣິດ

Trademarks via Madrid Protocol

2. ຜົນການຈົດທະບຽນ

(Registration)

ຄຳອະທິບາຍກ່ຽວກັບລະຫັດຫຍໍ້

(Introduction of Codes)

- (540) ເຄື່ອງໝາຍການຄ້າ (Trademark)
- (511) ໝວດ (Nice Classification)
- (210) ເລກທີ ຄຳຮ້ອງ (Number of the application)
- (220) ວັນທີ ຍື່ນຄຳຮ້ອງ (Date of filing of the application)
- (732) ຊື່ ແລະ ທີ່ຢູ່ ຂອງຜູ້ຍື່ນຄຳຮ້ອງ (Name and Address of applicant)
- (111) ເລກທີການຈົດທະບຽນເຄື່ອງໝາຍການຄ້າ (Number of the registration)
- (180) ວັນໝົດອາຍຸຂອງການຈົດທະບຽນ (Expiration date of the registration)

(540)

The logo consists of the Apple logo (a silhouette of an apple with a bite taken out) followed by the word "One" in a bold, sans-serif font.

(511) 38 and 41

(210) No. M/1583436

(220) 22/10/2020

(732) Apple Inc.

One Apple Park Way Cupertino CA 95014,
United States Of America.

(111) No. M/1583436

(180) 22/10/2030

(540)

The logo features the letters "i", "S", and "M" in a stylized, bold, magenta font. The "i" is lowercase and has a square dot. The "S" and "M" are uppercase and have a unique, rounded, and slightly irregular design.

(511) 35, 37 and 42

(210) No. M/1584222

(220) 30/10/2020

(732) Koelnmesse GmbH

Messeplatz 1 50679 Köln, Germany.

(111) No. M/1584222

(180) 30/10/2030

(540)

APPLE ONE

(511) 38 and 41

(210) No. M/1584240

(220) 22/10/2020

(732) Apple Inc.

One Apple Park Way Cupertino CA 95014,
United States Of America.

(111) No. M/1584240

(180) 22/10/2030

(540)

BikeMaster

(511) 08, 09 and 12

(210) No. M/1584417

(220) 29/11/2019

(732) Tucker-Rocky Corporation, Inc.

103 Foulk Road, Suite 202 Wilmington DE
19803, United States Of America.

(111) No. M/1584417

(180) 29/11/2029

(540)



(511) 29, 30, 35 and 41

(210) No. M/1584481

(220) 25/11/2020

(732) Barry Callebaut AG

Hardturmstrasse 181 CH-8005 Zurich,
Switzerland.

(111) No. M/1584481

(180) 25/11/2030

(540)

INFOCORE

(511) 09

(210) No. M/1584788

(220) 13/11/2020

(732) CTC Global Corporation

2026 McGaw Avenue Irvine CA 92614,
United States Of America.

(111) No. M/1584788

(180) 13/11/2030

(540)



(511) 35, 36 and 39

(210) No. M/1585043

(220) 21/12/2020

(732) AmerisourceBergen Services Corporation

1 West First Avenue Conshohocken PA

19428, United States Of America.

(111) No. M/1585043

(180) 21/12/2030

(540)



(511) 38 and 41

(210) No. M/1585100

(220) 15/01/2021

(732) Apple Inc.

One Apple Park Way Cupertino CA 95014,

United States Of America.

(111) No. M/1585100

(180) 15/01/2031

(540)



(511) 01, 05 and 31

(210) No. M/1586341

(220) 27/11/2020

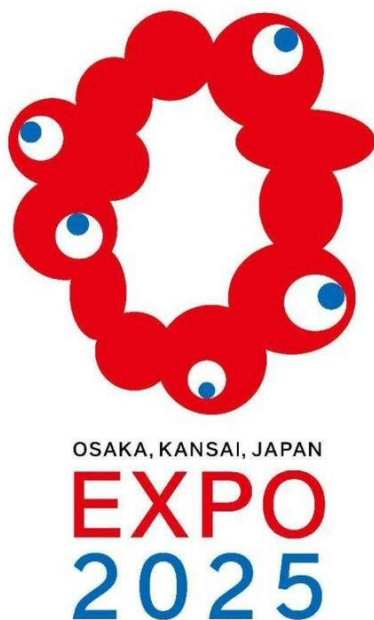
(732) DAESANG CORPORATION

26, Cheonho-daero, Dongdaemun-gu Seoul,
Republic Of Korea.

(111) No. M/1586341

(180) 27/11/2030

(540)



(511) 09, 14, 16, 18, 25, 35, 41 and 45

(210) No. M/1587286

(220) 26/11/2020

(732) Japan Association for the 2025 World

Exposition

1-14-16 Nanko-kita, Suminoe-ku, Osaka-shi
Osaka 559-0034, Japan.

(111) No. M/1587286

(180) 26/11/2030

(540)

ENTEC

(511) 01 and 05

(210) No. M/1001700

(220) 01/12/2020

(732) EuroChem Agro GmbH

Reichskanzler-Müller-Straße 23 68165

Mannheim, Germany.

(111) No. M/1001700

(180) 17/12/2028

(540)



(511) 21 and 35

(210) No. M/1541981

(220) 28/12/2020

(732) TİTİZ PLASTİK DIŞ TİCARET VE

SANAYİ LİMİTED ŞİRKETİ

Mahmutbey Mah. 2435. Sk. No: 48

BAĞCILAR/İSTANBUL, Turkey.

(111) No. M/1541981

(180) 24/01/2030

(540)



(511) 01

(210) No. M/1583460

(220) 15/01/2021

(732) ROSIER, Société anonyme

Route de Grandmetz(MO) 11 Boîte a B-7911

Frasnes-lez-Anvaing, Belgium.

(111) No. M/1583460

(180) 15/01/2031

(540)

Coupang Live

(511) 09, 35, 38, 41 and 42

(210) No. M/1583516

(220) 29/12/2020

(732) Coupang Corp.

18th Floor (Sincheon-dong), 570 Songpa-

daero, Songpa-gu Seoul, Republic Of Korea.

(111) No. M/1583516

(180) 29/12/2030

(540)



(511) 09 and 41

(210) No. M/1583519

(220) 21/12/2020

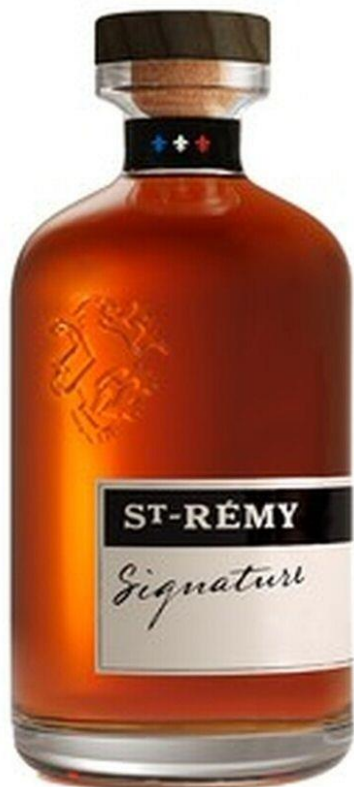
(732) Tencent Music Entertainment Technology
(Shenzhen) Ltd.

c/o Shenzhen Qianhai Business Secretary
Ltd., Suite 201, Building A, No.1 Qian Wan
Yi Road, Qianhai Shenzhen-Hong Kong
Cooperation Zone, Shenzhen Guangdong,
China.

(111) No. M/1583519

(180) 21/12/2030

(540)



(511) 33

(210) No. M/1583594

(220) 25/01/2021

(732) E. REMY MARTIN & C°

20 rue de la Société Vinicole F-16100

Cognac, France.

(111) No. M/1583594

(180) 25/01/2031

(540)



(511) 25

(210) No. M/1583615

(220) 23/11/2020

(732) RIKHAB CHAND JAIN

878a, master prithvi nath marg, karol bagh
delhi 110005, India.

(111) No. M/1583615

(180) 23/11/2030

(540)



(511) 21

(210) No. M/1583651

(220) 28/08/2020

(732) Hebei Juao Biotechnology Co., Ltd

No11 Juliang Avenue, Chengxi Industrial
Zone, Cheng'an County, Handan City,
056700 Hebei Province, China.

(111) No. M/1583651

(180) 28/08/2030

(540)



(511) 05

(210) No. M/1583737

(220) 12/02/2021

(732) MYR GmbH

Eiermarkt 3c 30938 Burgwedel, Germany.

(111) No. M/1583737

(180) 12/02/2031

(540)



(511) 11

(210) No. M/1583738

(220) 19/11/2020

(732) Zhongshan Leo Lighting Technology Co.,
Ltd.

Floor 1-3, Building B, No. 36, Chang'an
North Road, Henglan Town, Zhongshan
Guangdong, China.

(111) No. M/1583738

(180) 19/11/2030

(540)

ARMANI

(511) 03, 04, 08, 09, 10, 11, 12, 14, 16, 18, 20, 21,
24, 25, 26, 27, 28, 29, 30, 31, 32, 33, 34, 35, 41, 42,
43 and 44

(210) No. M/1583746

(220) 23/12/2020

(732) GIORGIO ARMANI S.P.A.

Via Borgonuovo, 11 I-20121 MILANO

(Milano), Italy.

(111) No. M/1583746

(180) 23/12/2030

(540)



(511) 07, 09 and 11

(210) No. M/1583844

(220) 01/02/2021

(732) HUAWEI TECHNOLOGIES CO., LTD.

Administration Building Huawei

Technologies Co., Ltd. Bantian, Longgang

District Shenzhen, China.

(111) No. M/1583844

(180) 01/02/2031

(540)



(511) 06

(210) No. M/1583992

(220) 11/12/2020

(732) MR.PORNCHAI PHATANAKULPAISARN

41 SOI CHALERMPRAKIAT RAMA 9 SOI

48 YAK 10, DOKMAI 10250 PRAWET

BKK, THAILAND.

(111) No. M/1583992

(180) 11/12/2030

(540)



(511) 07, 08, 09 and 11

(210) No. M/1584161

(220) 23/10/2020

(732) ZHEJIANG VALUE M&E PRODUCTS

CO., LTD.

The South Side of Jiulong Avenue, Industrial

Park of Wenling City Zhejiang, China.

(111) No. M/1584161

(180) 23/10/2030

(540)

The logo for NAVTEK, featuring the word "NAVTEK" in a bold, sans-serif font. The letter "N" is stylized with three slanted parallel lines to its left.

(511) 07, 08, 09 and 11

(210) No. M/1584247

(220) 23/10/2020

(732) ZHEJIANG VALUE M&E PRODUCTS
CO., LTD.

The South Side of Jiulong Avenue, Industrial
Park of Wenling City Zhejiang, China.

(111) No. M/1584247

(180) 23/10/2030

(540)

The logo for PEARL, featuring the word "PEARL" in a bold, sans-serif font. The letters are white and set against a background of three overlapping dark circles.

(511) 06, 19 and 20

(210) No. M/1584635

(220) 05/01/2021

(732) MR.PORNCHAI PHATANAKULPAISARN
3/8 Soi Srinakarin 46/1 (Pramote), Srinakarin
Road, Nongbon 10260 Prawet, Bangkok,
Thailand.

(111) No. M/1584635

(180) 05/01/2031

(540)



(511) 18 and 25

(210) No. M/1584736

(220) 09/02/2021

(732) because co., ltd.

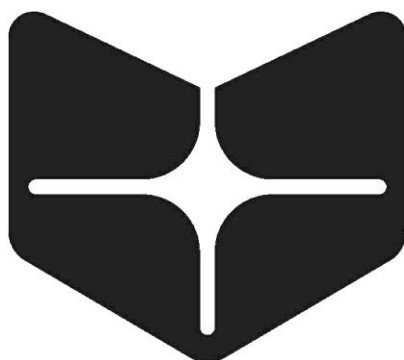
3-12-12 SOSHIGAYA, SETAGAYA-KU

TOKYO 157-0072, Japan.

(111) No. M/1584736

(180) 09/02/2031

(540)



(511) 05

(210) No. M/1584841

(220) 13/10/2020

(732) STELLAPHARM J.V. CO., LTD.

K63/1 Nguyen Thi Soc, My Hoa 2 Hamlet,

Xuan Thoi Dong Commune, Hoc Mon

District Ho Chi Minh City, Vietnam.

(111) No. M/1584841

(180) 13/10/2030

(540)



CASOUND

(511) 09

(210) No. M/1584906

(220) 03/11/2020

(732) CASOUND VIET NAM ELECTRONICS
COMPANY LIMITED

Lac Dao Station, Lac Dao commune, Van

Lam District Hung Yen Province, Vietnam.

(111) No. M/1584906

(180) 03/11/2030

(540)



RCEDA

(511) 09

(210) No. M/1584915

(220) 24/11/2020

(732) Guangzhou Meiling Electronics Co. LTD

No.13, 6th Street, Xichang Electric Market,

No.36 Zengcha Road, Baiyun District,

Guangzhou City Guangdong Province, China.

(111) No. M/1584915

(180) 24/11/2030

(540)



(511) 05

(210) No. M/1584934

(220) 10/08/2020

(732) FUJIAN GREETOWN MEDICINE
INDUSTRY CO., LTD.

Jingfeng Industrial Zone, Hui'an County,
Quanzhou City 362000 Fujian Province,
China.

(111) No. M/1584934

(180) 10/08/2030

(540)



(511) 39

(210) No. M/1585204

(220) 03/12/2020

(732) TIN NGHIA CORPORATION JOINT
STOCK COMPANY

No. 96, Ha Huy Giap Street, Quyet Thang
Ward, Bien Hoa City Dong Nai Province,
Vietnam.

(111) No. M/1585204

(180) 03/12/2030

(540)



Cerotech
Technology

(511) 11

(210) No. M/1585398

(220) 09/02/2021

(732) Viessmann Climate Solutions SE

Viessmannstraße 1 35108 Allendorf,
Germany.

(111) No. M/1585398

(180) 09/02/2031

(540)

JEANAURA

(511) 25

(210) No. M/1585597

(220) 04/01/2021

(732) A.C.F. COMPANY LIMITED

99 Sukhumvit Soi 6, Klongtoey 10110
Klongtoey, Bangkok, Thailand.

(111) No. M/1585597

(180) 04/01/2031

(540)



(511) 25

(210) No. M/1585620

(220) 17/11/2020

(732) Guangzhou Aotaixin Technology Co., Ltd.

Room 102-1, Area A, No. 20, Yard 38,

Nanbian Road, Haizhu District, Guangzhou

City Guangdong Province, China.

(111) No. M/1585620

(180) 17/11/2030

(540)



CHICKEN PLUS

(511) 30, 35 and 43

(210) No. M/1585645

(220) 16/12/2020

(732) HOLDINGHANDS CO., LTD.

135, Bokjeong-ro, Sujeong-gu Seongnam-si

Gyeonggi-do, Republic Of Korea.

(111) No. M/1585645

(180) 16/12/2030

(540)

Jackery

(511) 09 and 35

(210) No. M/1585659

(220) 27/11/2020

(732) JACKERY INC.

48531 WARM SPRINGS BLVD 408

FREMONT CA 94539-7793,

UNITED STATES OF AMERICA.

(111) No. M/1585659

(180) 27/11/2030

(540)



(511) 09, 28 and 41

(210) No. M/1586018

(220) 05/01/2021

(732) BRIGHT TECHNOLOGY LIMITED

PO Box 957, Offshore Incorporations Centre,

Road Town Tortola, Virgin Islands (British).

(111) No. M/1586018

(180) 05/01/2031

(540)



(511) 05

(210) No. M/1586056

(220) 26/11/2020

(732) SERUM INSTITUTE OF INDIA PRIVATE
LIMITED

Sarosh Bhavan, 16-B/1, Dr. Ambedkar Road
Pune-411001, India.

(111) No. M/1586056

(180) 26/11/2030

(540)

MENFIVE

(511) 05

(210) No. M/1586157

(220) 26/11/2020

(732) SERUM INSTITUTE OF INDIA PVT. LTD.

“Sarosh Bhavan”, 16-B/1, Dr. Ambedkar Road
Pune – 411001, India.

(111) No. M/1586157

(180) 26/11/2030

(540)



(511) 11

(210) No. M/1586219

(220) 08/10/2020

(732) CASPER VIETNAM GROUP JOINT
STOCK COMPANY

B17-18, CNDT Area, Green City, Cau Dien
Ward, Nam Tu Liem District Hanoi,
Vietnam.

(111) No. M/1586219

(180) 08/10/2030

(540)



(511) 09 and 38

(210) No. M/1586295

(220) 03/03/2021

(732) Truck-Lite Co., LLC

310 East Elmwood Ave. Falconer NY 14733,
United States Of America.

(111) No. M/1586295

(180) 03/03/2031

(540)



(511) 07

(210) No. M/1586507

(220) 18/01/2021

(732) ZHEJIANG V-BRIGHT AUTO FITTINGS
CO. LTD

International Auto and Motorcycle Parts

Industrial Zone, Ruian, Wenzhou Zhejiang,

China.

(111) No. M/1586507

(180) 18/01/2031

(540)



(511) 06 and 20

(210) No. M/1586652

(220) 21/12/2020

(732) Hebei Wuyi Import and Export Corporation

No.98, Wenchang street, Ningwu Road,

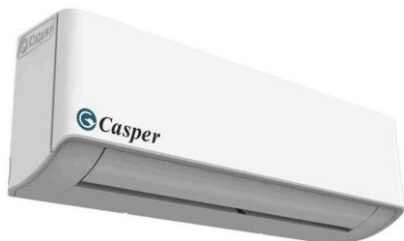
Circular Economy Park, Wuyi, Hengshui

Hebei, China.

(111) No. M/1586652

(180) 21/12/2030

(540)



(511) 11

(210) No. M/1586705

(220) 08/10/2020

(732) CASPER VIETNAM GROUP JOINT
STOCK COMPANY

B17-18, CNDT Area, Green City, Cau Dien
Ward, Nam Tu Liem District Hanoi,
Vietnam.

(111) No. M/1586705

(180) 08/10/2030

(540)



(511) 11

(210) No. M/1586952

(220) 08/10/2020

(732) CASPER VIETNAM GROUP JOINT
STOCK COMPANY

B17-18, CNDT Area, Green City, Cau Dien
Ward, Nam Tu Liem District Hanoi,
Vietnam.

(111) No. M/1586952

(180) 08/10/2030

(540)



(511) 11

(210) No. M/1586959

(220) 08/10/2020

(732) CASPER VIETNAM GROUP JOINT
STOCK COMPANY

B17-18, CNDT Area, Green City, Cau Dien
Ward, Nam Tu Liem District Hanoi,
Vietnam.

(111) No. M/1586959

(180) 08/10/2030

(540)

Papiro

(511) 33

(210) No. M/1587051

(220) 09/01/2021

(732) Shandong Chun Zhen International Trade
Co., Ltd.

Block 4-6, 1st Floor, Building 64,
Hainacheng Headquarters, 777 Meili Road,
Huaiyin District, Jinan City 250000
Shandong Province, China.

(111) No. M/1587051

(180) 09/01/2031

(540)



(511) 06, 35 and 37

(210) No. M/1587139

(220) 18/08/2020

(732) BlueScope Steel Limited

Level 11, 120 Collins St MELBOURNE VIC
3000, Australia.

(111) No. M/1587139

(180) 18/08/2030

(540)

VITOPURE

(511) 09, 11 and 37

(210) No. M/1587187

(220) 26/02/2021

(732) Viessmann Climate Solutions SE

Viessmannstraße 1 35108 Allendorf, Germany.

(111) No. M/1587187

(180) 26/02/2031

(540)

VISBELLA 

(511) 03 and 05

(210) No. M/1587307

(220) 10/08/2020

(732) Huzhou Guoneng New Material Co., Ltd.

4th Floor, Building 1, 1518 Mengxi Road,
Huzhou City Zhejiang Province, China.

(111) No. M/1587307

(180) 10/08/2030

(540)

桃
八
朔

(511) 30

(210) No. M/1587434

(220) 07/01/2021

(732) Shandong Qiao Daughter-in-law Food Group

Co., Ltd.

Eastern Section of South Road, Qicheng

Agriculture High-tech Development Zone,

Zibo 255000 Shandong, China.

(111) No. M/1587434

(180) 07/01/2031

(540)

lexsound

(511) 09

(210) No. M/1587455

(220) 15/12/2020

(732) NINGBO TONWEL AUDIO EQUIPMENTS
CO., LTD.

Science and Technology Park, Jiangshan

Town, Yinzhou District, Ningbo City 315191

Zhejiang Province, China.

(111) No. M/1587455

(180) 15/12/2030

(540)

COVIVAXX

(511) 05

(210) No. M/1587537

(220) 20/11/2020

(732) SERUM INSTITUTE OF INDIA PRIVATE
LIMITED

Sarosh Bhavan, 16-B/1, Dr. Ambedkar Road

Pune-411001, Maharashtra, India.

(111) No. M/1587537

(180) 20/11/2030

(540)

PISCAR

(511) 41

(210) No. M/1587573

(220) 25/11/2020

(732) JAIR ALCANTARA VIEIRA

RUA EDUARDO MARQUES, N° 350, APT

602 - BAIRRO: OSVALDO REZENDE

38400-442 Uberlândia, Brazil.

(111) No. M/1587573

(180) 25/11/2030

(540)

Bà Bầu

(511) 05, 29, 30, 32, 35 and 43

(210) No. M/1587599

(220) 17/09/2020

(732) ONGBAU COFFEE JOINT STOCK

COMPANY

H3 Tower, 384 Hoang Dieu Street, Ward 6,

District 4 Ho Chi Minh City, Vietnam.

(111) No. M/1587599

(180) 17/09/2030

(540)



(511) 41

(210) No. M/1587628

(220) 12/02/2021

(732) HOLISTIC HEALTH, INC.

9070 GLEANNLOCH FOREST DRIVE,
SUITE 100 SPRING TX 77379, UNITED
STATES OF AMERICA.

(111) No. M/1587628

(180) 12/02/2031

(540)



(511) 32

(210) No. M/1587725

(220) 08/12/2020

(732) HEINEKEN ASIA PACIFIC PTE. LTD.

459 JALAN AHMAD IBRAHIM 639934,
SINGAPORE.

(111) No. M/1587725

(180) 08/12/2030

(540)



(511) 09, 11, 17 and 35

(210) No. M/1587884

(220) 20/11/2020

(732) GONGNIU GROUP CO., LTD.

East Industrial Zone, Guanhaiwei Town, Cixi
City Zhejiang Province, China.

(111) No. M/1587884

(180) 20/11/2030

(540)

HONOR Magic

(511) 09

(210) No. M/1587901

(220) 14/01/2021

(732) Honor Device Co., Ltd.

Suite 3401, Unit A, Building 6, Shum Yip
Sky Park, No. 8089, Hongli West Road,
Xiangmihu Street, Futian District, Shenzhen
518040 Guangdong, China.

(111) No. M/1587901

(180) 14/01/2031

(540)

PRO-FORM

(511) 27 and 28

(210) No. M/1588221

(220) 08/12/2020

(732) iFIT Inc.

1500 South 1000 West Logan UT 84321,
United States Of America.

(111) No. M/1588221

(180) 08/12/2030

(540)



(511) 07, 09 and 12

(210) No. M/1588251

(220) 16/11/2020

(732) Hengdian Group DMEGC Magnetics Co.,
Ltd.

Hengdian Industrial Area, Dongyang City
322100 Zhejiang Province, China.

(111) No. M/1588251

(180) 16/11/2030

(540)

NORDICTRACK

(511) 28

(210) No. M/1588272

(220) 09/12/2020

(732) iFIT Inc.

1500 South 1000 West Logan UT 84321,
United States Of America.

(111) No. M/1588272

(180) 09/12/2030

(540)



(511) 07, 09 and 12

(210) No. M/1588319

(220) 16/11/2020

(732) Hengdian Group DMEGC Magnetics Co.,
Ltd.

Hengdian Industrial Area, Dongyang City
322100 Zhejiang Province, China.

(111) No. M/1588319

(180) 16/11/2030

(540)

Fyassi
飞亚思

(511) 11

(210) No. M/1588724

(220) 23/11/2020

(732) Xu Shufen

No. 196, Pengmei Road, Ximei, Nan'an City,
Quanzhou City 362000 Fujian Province,
China.

(111) No. M/1588724

(180) 23/11/2030

(540)


ROSDRIP

(511) 01

(210) No. M/1570992

(220) 08/02/2021

(732) ROSIER, Société anonyme

Route de Grandmetz(MO) 11 Boîte a B-7911
Frasnes-lez-Anvaing, Belgium.

(111) No. M/1570992

(180) 03/12/2030

(540)



(511) 16

(210) No. M/1583454

(220) 09/02/2021

(732) DELIGAO Holding Co.,LTD.

Niansanli Industrial Park, Yiwu City Zhejiang
Province, China.

(111) No. M/1583454

(180) 09/02/2031

(540)

aurobay

(511) 09, 12 and 37

(210) No. M/1583552

(220) 22/01/2021

(732) ZHEJIANG GEELY HOLDING GROUP
CO., LTD.

1760 Jiangling Road, Binjiang District,
Hangzhou Zhejiang, China.

(111) No. M/1583552

(180) 22/01/2031

(540)

WHITE STORY

(511) 03

(210) No. M/1583824

(220) 02/02/2021

(732) Dennis Gunawan

Jalan Kepu Barat No. 44 A, RT 008 RW 002,

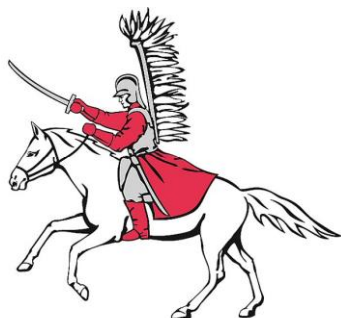
Kel. Kemayoran, Kec. Kemayoran, Jakarta

Pusat 10620 Jakarta, Indonesia.

(111) No. M/1583824

(180) 02/02/2031

(540)



BALANSKI

(511) 29, 31, 32 and 33

(210) No. M/1584133

(220) 02/02/2021

(732) BALANSKI SPÓŁKA Z OGRANICZONĄ

ODPOWIEDZIALNOŚCIĄ

ul. Nowogrodzka 31 lok. 301 PL-00-511

Warszawa, Poland.

(111) No. M/1584133

(180) 02/02/2031

(540)

VASEN

(511) 17 and 19

(210) No. M/1584304

(220) 26/01/2021

(732) Zhejiang Weixing New Building Materials
Co., Ltd.

Economic Development Zone of Linhai
Zhejiang Province, China.

(111) No. M/1584304

(180) 26/01/2031

(540)

NASCA

(511) 03

(210) No. M/1584495

(220) 18/01/2021

(732) HU ZHOU GUONENG NEW MATERIAL,
CO., LTD.

NO.1-4#, 1518 MengXi Road, HuZhou
ZheJiang, China.

(111) No. M/1584495

(180) 18/01/2031

(540)

PAZU

(511) 09, 28 and 41

(210) No. M/1584502

(220) 08/02/2021

(732) Pazu Games Ltd

Sitvanit 8 3009500 Ramat Yishay, Israel.

(111) No. M/1584502

(180) 08/02/2031

(540)

Coupang Live

(511) 45

(210) No. M/1584875

(220) 29/01/2021

(732) Coupang Corp.

18th Floor (Sincheon-dong), 570 Songpa-daero, Songpa-gu Seoul, Republic Of Korea.

(111) No. M/1584875

(180) 29/01/2031

(540)



(511) 06, 19 and 20

(210) No. M/1584989

(220) 20/01/2021

(732) MR.PORNCHAI PHATANAKULPAISARN

41 Soi Chalermprakiat Rama 9 Soi 48 Yak 10,
Dokmai 10250 Prawet, Bangkok, Thailand.

(111) No. M/1584989

(180) 20/01/2031

(540)

ROSSL

(511) 32

(210) No. M/1585330

(220) 11/02/2021

(732) EAST ASIA BREWING COMPANY PTE.
LTD.

2 Woodlands Sector 1, #03-12 Woodlands
Spectrum 738068, Singapore.

(111) No. M/1585330

(180) 11/02/2031

(540)



(511) 16 and 25

(210) No. M/1585548

(220) 28/01/2021

(732) National Basketball Players Association

1133 Avenue of the Americas, 5th Floor New
York NY 10036, United States Of America.

(111) No. M/1585548

(180) 28/01/2031

(540)

Sinn Yung

(511) 03

(210) No. M/1585873

(220) 20/01/2021

(732) Guangzhou Zhenya Brand Management Co.,

Ltd.

Room 2208, No.1, Tang Le Road, Baiyun

District, Guangzhou City Guangdong Province,
China.

(111) No. M/1585873

(180) 20/01/2031

(540)

サントリー

(511) 05

(210) No. M/1585890

(220) 19/02/2021

(732) SUNTORY HOLDINGS LIMITED

1-40, DOJIMAHAMA 2-CHOME, KITA-
KU, OSAKA-SHI OSAKA 530-8203,
JAPAN.

(111) No. M/1585890

(180) 19/02/2031

(540)



(511) 05

(210) No. M/1587017

(220) 28/01/2021

(732) Sichuan Sunrise Biopharm Co., Ltd.

No. 1003, 10th Floor, Building 10, No. 88,
Keyuan South Road, High-tech Zone,
Chengdu 610041 Sichuan Province, China.

(111) No. M/1587017

(180) 28/01/2031

(540)

瀚晖

(511) 05

(210) No. M/1587055

(220) 30/01/2021

(732) Hanhui Pharmaceuticals Co., Ltd.

No. 2 Haizheng Road, Xukou Town, Fuyang
District, Hangzhou City Zhejiang Province,
China.

(111) No. M/1587055

(180) 30/01/2031

(540)

iRest

(511) 20 and 28

(210) No. M/1587626

(220) 15/01/2021

(732) IREST HEALTH SCIENCE AND

TECHNOLOGY CO.,LTD

No.468 Shibali East Road, Daqiao Town,
Nanhu District, Jiaxing Zhejiang Province,
China.

(111) No. M/1587626

(180) 15/01/2031

(540)



(511) 34

(210) No. M/1587669

(220) 09/02/2021

(732) PT MAKMUR TEMBAKAU

INTERNASIONAL

Jl. Yos Sudarso, Komplek Union Industrial

Park No. H12B, Batu Ampar, Batam

Kepulauan Riau, Indonesia.

(111) No. M/1587669

(180) 09/02/2031

(540)

HMN Tech

(511) 09 and 37

(210) No. M/1587757

(220) 28/01/2021

(732) Huawei Marine Networks Co., Limited

5/F-6/F, MSD-B2 Tower, 62 Second

Avenue, TEDA 300457 Tianjin, China.

(111) No. M/1587757

(180) 28/01/2031

(540)

FULBRIGHT

(511) 10 and 35

(210) No. M/1587863

(220) 05/02/2021

(732) Fengh Medical Co., Ltd.

No.6 Dongsheng West Road, Jiangyin City
Jiangsu Province, China.

(111) No. M/1587863

(180) 05/02/2031

(540)

SMOK

(511) 35

(210) No. M/1587990

(220) 03/02/2021

(732) SHENZHEN IVPS TECHNOLOGY CO.,LTD.

101, Building 69, Liantang Industrial Zone,
Tangwei Community, Fenghuang Street,
Guangming District, Shenzhen 518107
Guangdong, China.

(111) No. M/1587990

(180) 03/02/2031

(540)



(511) 28

(210) No. M/1587992

(220) 05/02/2021

(732) Zhejiang Jiangshan Duojiao Industrial Co.,
Ltd.

No. 46-3 Zaozipeng Ziran Village, Jiangshan
Di Village, Hushan Street, Jiangshan City,
Quzhou City Zhejiang, China.

(111) No. M/1587992

(180) 05/02/2031

(540)



(511) 35 and 42

(210) No. M/1583671

(220) 22/10/2020

(732) Apple Inc.

One Apple Park Way Cupertino CA 95014,
United States Of America.

(111) No. M/1583671

(180) 22/10/2030

(540)



(511) 39, 41 and 43

(210) No. M/1558957

(220) 06/04/2020

(732) H.I.S. CO., LTD.

4-1-1 Toranomom, Minato-ku Tokyo 105-
6905, Japan.

(111) No. M/1558957

(180) 06/04/2030

(540)



(511) 07, 08 and 09

(210) No. M/1559391

(220) 26/09/2020

(732) Craftop Canada Ltd.

1155 North Service Road W Unit #11
Oakville ON L6M 3E3, Canada.

(111) No. M/1559391

(180) 26/09/2030

(540)

pandamart

(511) 09 and 35

(210) No. M/1559829

(220) 18/06/2020

(732) Delivery Hero SE

Oranienburger Str. 70 10117 Berlin, Germany.

(111) No. M/1559829

(180) 18/06/2030

(540)

APP CLIP

(511)

(210) No. M/1567841

(220) 10/11/2020

(732) Apple Inc.

One Apple Park Way Cupertino CA 95014,

United States Of America.

(111) No. M/1567841

(180) 10/11/2030

(540)

 **App Clip**

(511) 09

(210) No. M/1570770

(220) 10/11/2020

(732) Apple Inc.

One Apple Park Way Cupertino CA 95014,
United States Of America.

(111) No. M/1570770

(180) 10/11/2030

(540)

APP CLIPS

(511) 42

(210) No. M/1571389

(220) 07/12/2020

(732) APPLE INC.

One Apple Park Way Cupertino CA 95014,
United States Of America.

(111) No. M/1571389

(180) 07/12/2030

(540)

APP CLIP CODE

(511) 42

(210) No. M/1572791

(220) 07/12/2020

(732) Apple Inc.

One Apple Park Way Cupertino CA 95014,
United States Of America.

(111) No. M/1572791

(180) 07/12/2030

ພາກທີ IV

(Part IV)

ເຄື່ອງໝາຍການຄ້າຜ່ານລະບົບມາດຣິດ

Trademarks via Madrid Protocol

3. ຜົນການຕໍ່ອາຍຸ

(Renewal)

ຄຳອະທິບາຍກ່ຽວກັບລະຫັດຫຍໍ້ (Introduction of Codes)

- (540) ເຄື່ອງໝາຍການຄ້າ (Trademark)
- (511) ໝວດ (Nice Classification)
- (210) ເລກທີ ຄຳຮ້ອງ (Number of the application)
- (220) ວັນທີ ຍື່ນຄຳຮ້ອງ (Date of filing of the application)
- (732) ຊື່ ແລະ ທີ່ຢູ່ ຂອງຜູ້ຍື່ນຄຳຮ້ອງ (Name and Address of applicant)
- (111) ເລກທີການຈົດທະບຽນເຄື່ອງໝາຍການຄ້າ (Number of the registration)
- (180) ການຕໍ່ອາຍຸຂອງການຈົດທະບຽນ (Expiration date of the renewal)

ພາກທີ IV

(Part IV)

ເຄື່ອງໝາຍການຄ້າຜ່ານລະບົບມາດຣິດ

Trademarks via Madrid Protocol

4. ການປ່ຽນແປງ

(Changes)

ພາກທີ IV

(Part IV)

ເຄື່ອງໝາຍການຄ້າຜ່ານລະບົບມາດຣິດ

Trademarks via Madrid Protocol

5. ການດັດແກ້

(Amendments)

ພາກທີ V
(Part V)
ຖິ່ນກຳເນີດ
Geographical Indications

1. ຄຳຮ້ອງ
(Applications)

ພາກທີ V
(Part V)
ຖິ່ນກຳເນີດ
Geographical Indications

2. ຜົນການຈົດທະບຽນ
(Registration)

ພາກທີ V

(Part V)

ຖິ່ນກຳເນີດ

Geographical Indications

3. ການປ່ຽນແປງ

(Changes)

ພາກທີ V
(Part V)
ຖິ່ນກຳເນີດ
Geographical Indications

4. ການດັດແກ້
(Amendments)

ພາກທີ VI

(Part VI)

ພັນພືດໃໝ່

New Plant Varieties

1. ຄໍາຮ້ອງ

(Applications)

ພາກທີ VI

(Part VI)

ພັນພືດໃໝ່

New Plant Varieties

2. ຜົນການຈົດທະບຽນ

(Registration)

ພາກທີ VI

(Part VI)

ພັນພືດໃໝ່

New Plant Varieties

3. ການປ່ຽນແປງ

(Changes)

ພາກທີ VI

(Part VI)

ພັນພືດໃໝ່

New Plant Varieties

4. ການດັດແກ້

(Amendments)

ພາກທີ VII

(Part VII)

ລິຂະສິດ ແລະ ສິດກ່ຽວຂ້ອງກັບລິຂະສິດ

Copyrights and Related Rights

1. ການແຈ້ງຂໍ້ມູນ

(Notifications)

ພາກທີ VII

(Part VII)

ລິຂະສິດ ແລະ ສິດກ່ຽວຂ້ອງກັບລິຂະສິດ

Copyrights and Related Rights

2. ການປ່ຽນແປງ

(Changes)

ພາກທີ VIII

(Part VIII)

**ການແກ້ໄຂຂໍ້ຂັດແຍ່ງທາງດ້ານບໍລິຫານກ່ຽວກັບການຈົດທະບຽນຊັບ
ສິນອຸດສາຫະກຳ ແລະ ພັນພືດໃໝ່**

**Administrative Dispute Resolutions on the Registration of
Industrial Property and New Plant Varieties**

1. ຜົນການຄັດຄ້ານຄຳຮ້ອງ

(Result of Oppositions)

ພາກທີ VIII

(Part VIII)

**ການແກ້ໄຂຂໍ້ຂັດແຍ່ງທາງດ້ານບໍລິຫານກ່ຽວກັບການຈັດທະບຽນຊັບ
ສິນອຸດສາຫະກຳ ແລະ ພັນພືດໃໝ່**

**Administrative Dispute Resolutions on the Registration of
Industrial Property and New Plant Varieties**

2. ຜົນການແຈ້ງປະຕິເສດ

(Result of Refusals)

ພາກທີ VIII

(Part VIII)

ການແກ້ໄຂຂໍ້ຂັດແຍ່ງທາງດ້ານບໍລິຫານກ່ຽວກັບການຈົດທະບຽນຊັບ

ສິນອຸດສາຫະກຳ ແລະ ພັນພືດໃໝ່

**Administrative Dispute Resolutions on the Registration of
Industrial Property and New Plant Varieties**

3. ຜົນການຍົກເລີກ ຫຼື ລົບລ້າງ ຂອງການຈົດທະບຽນ

(Result of Cancellation or Invalidation of Registration)