



ສາທາລະນະລັດ ປະຊາທິປະໄຕ ປະຊາຊົນລາວ  
LAO PEOPLE'S DEMOCRATIC REPUBLIC

ກະຊວງ ອຸດສາຫະກຳ ແລະ ການຄ້າ  
ກົມຊັບສິນທາງປັນຍາ

MINISTRY OF INDUSTRY AND COMMERCE  
DEPARTMENT OF INTELLECTUAL PROPERTY

ຈົດໝາຍເຫດທາງລັດຖະການ  
ກ່ຽວກັບ ຊັບສິນທາງປັນຍາ  
ຢູ່ ສປປ ລາວ

OFFICIAL GAZETTE ON INTELLECTUAL PROPERTY  
IN LAO PDR

ສະບັບທີ (Vol.) 175

# ພາກທີ I (Part I)

## ສິດທິບັດ ແລະ ອະນຸສິດທິບັດ (Patent and Petty Patent)

### 1. ຄໍາຮ້ອງ (Applications)

#### ຄໍາອະທິບາຍກ່ຽວກັບລະຫັດຫຍໍ້ (Introduction of Codes)

- (21) ເລກທີ ຄໍາຮ້ອງ (Filing Number)
- (22) ວັນທີ ຍືນຄໍາຮ້ອງ (Filing Date)
- (30) ວັນທີ ບຸລິມະສິດ (Priority Date)
- (43) ວັນທີເຜີຍແຜ່ (Publication Date)
- (51) ໝວດ (International Patent Classification)
- (54) ຊື່ຂອງການປະດິດ (Title)
- (57) ບົດຄັດຫຍໍ້ (Abstract)
- (71) ຊື່ ແລະ ທີ່ຢູ່ ເຈົ້າຂອງສິດທິບັດ ແລະ ອະນຸສິດທິບັດ (Owner Name and Address)
- (72) ຊື່ຜູ້ປະດິດ (Inventor Name)
- (74) ຊື່ຕົວແທນ (Representative Name)
- (55) ຮູບພາບ (Pictures)

# ພາກທີ I (Part I)

## ສິດທິບັດ ແລະ ອະນຸສິດທິບັດ (Patent and Petty Patent)

### 2. ຜົນການອອກສິດທິບັດ ແລະ ອະນຸສິດທິບັດ (Grant of Patents and Petty Patents)

#### ຄຳອະທິບາຍກ່ຽວກັບລະຫັດຫຍໍ້ (Introduction of Codes)

- (11) ເລກທິ (Grant Number)
- (21) ເລກທິ ຄຳຮ້ອງ (Filing Number)
- (22) ວັນທິຍືນຄຳຮ້ອງ (Filing Date)
- (30) ວັນທິ ບຸລິມະສິດ (Priority Date)
- (43) ວັນທິເຜີຍແຜ່ (Publication Date)
- (51) ໝວດ (International Patent Classification)
- (54) ຫົວຂໍ້ການປະດິດ (Title)
- (57) ບົດຄັດຫຍໍ້ (Abstract)
- (71) ຊື່ ແລະ ທີ່ຢູ່ ເຈົ້າຂອງສິດທິບັດ ແລະ ອະນຸສິດທິບັດ (Owner Name and Address)
- (72) ຊື່ຜູ້ປະດິດ (Inventor Name)
- (74) ຊື່ຕົວແທນ (Representative Name)
- (55) ຮູບພາບ (Pictures)

- (11) No. 161
- (21) PA 161
- (22) 27/10/2011
- (30) 10-2010-0107868 01/11/2010 KR
- (43)
- (51) Int.Cl.C 07D 471/04
- (54) HYDRATE OF 1-{(2S)}2-AMINO-4-[2,4-BIS(TRIFLUOROMETHYL)-5,8-DI-HYDROPYRIDO[3,4-d]PYRIMIDIN-7(6H)-YL]-4-OXOBUTYL}-5,5-DIFLUORO-PIPERIDIN-2-ONE TARTRATE
- (57) The present invention relates to 1.5 hydrate of 1-{(2S)-2-amino-4-[2,4-bis(trifluoromethyl)-5,8-dihydropyrido[3,4-d]pyrimidin-7(6H)-yl]-4-oxobutyl}-5,5-difluoropiperidin-2-one tartrate, a process for preparing the same, and a pharmaceutical composition for inhibiting DPP-IV, which comprises said compound as the active component.
- (71) LG LIFE SCIENCES LTD.  
LG Gwanghwamun Bldg., 92, Sinmunno 2-ga, Jongno-gu, Seoul 110-620, Republic of Korea.
- (72) PARK, Ki Sook; YUN, Jung Min; KIM, Bong Chan; KIM, Kyu Young and LEE, Ji Hye.
- (74) Lao Trademark Agency.
- (55)

- (11) No. 335
- (21) PA 335
- (22) 18/11/2014
- (30)
- (43)
- (51) Int.Cl.8G 07C 15/00, A 63F 7/04
- (54) SELF-TURNING DEVICE WITH THE ABILITY TO MIX AND IDENTIFY BALLS,  
LOCATED IN A PORTABLE COMPARTMENT WITH AUXILIARY CONTROL
- (57) .
- (71) PROINDUMAR., S.L  
Plaza de Cronos, 4, Madrid, E-28037 Spain, Spain.
- (72) Jesus FRANCO MUNOZ.
- (74) LAO TRADEMARK AGENCY (LAO IP AGENCY).
- (55)

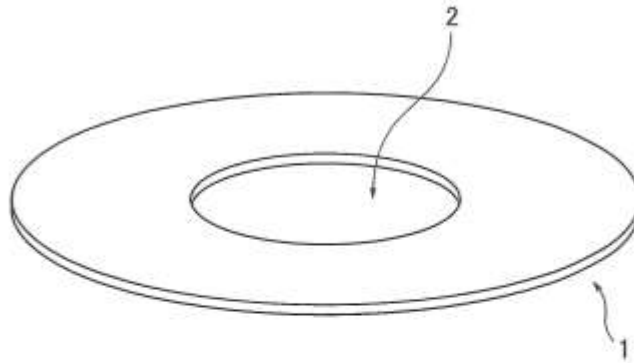
- (11) No. 679
- (21) PA 679
- (22) 26/09/2019
- (30)
- (43)
- (51) Int.Cl.2018.01G 11B 5/82(2006.01), G 11B 5/73(2006.01) // (G 11B 5:82 )
- (54) NON-MAGNETIC SUBSTRATE FOR MAGNETIC DISK, AND MAGNETIC DISK
- (57) .
- (71) HOYA CORPORATION  
6-10-1 Nishi-Shinjuku, Shinjuku-ku, Tokyo 1608347, Japan.
- (72) OSAKABE, Kinobu.
- (74) .
- (55)

1/2

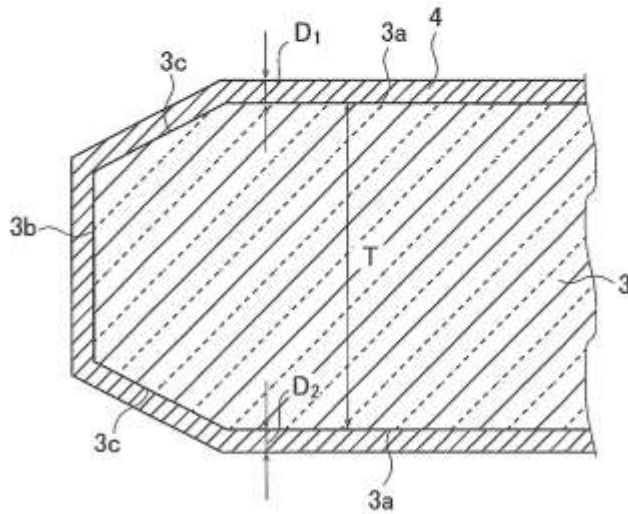
WO 2018/182046

PCT/JP2018/014169

【図1】



【図2】

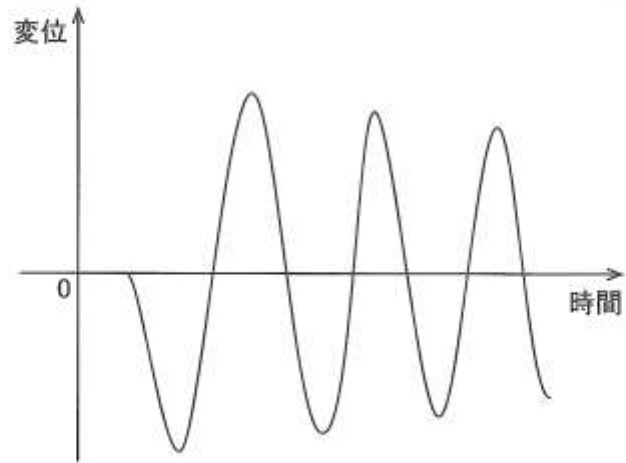


( 厚さ  $D=D_1+D_2$  )

WO 2018/182046

PCT/JP2018/014169

【図3】



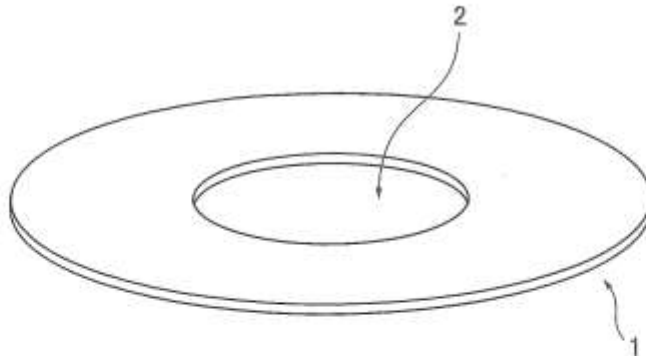
- (11) No. 684
- (21) PA 684
- (22) 10/10/2019
- (30)
- (43)
- (51) Int.CI.2018.01G 11B 5/73(2006.01)
- (54) SUBSTRATE FOR MAGNETIC DISKS, AND MAGNETIC DISK
- (57)
- (71) HOYA CORPORATION  
6-10-1 Nishi-Shinjuku, Shinjuku-ku, Tokyo 1608347, Japan.
- (72) OSAKABE Kinobu.
- (74) Tilleke & Gibbins International Ltd.
- (55)

1/2

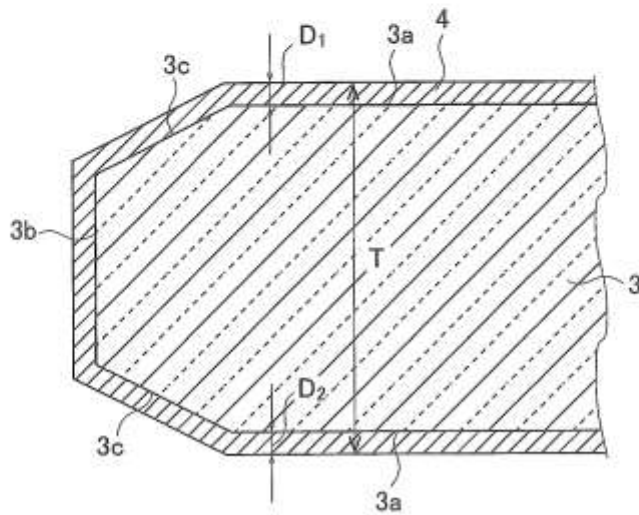
WO 2019/004484

PCT/JP2018/025104

【図1】



【図2】



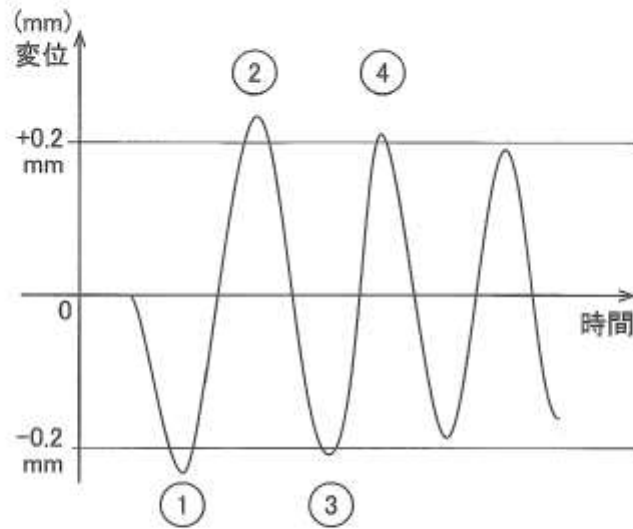
(厚さ  $D = D_1 + D_2$ )



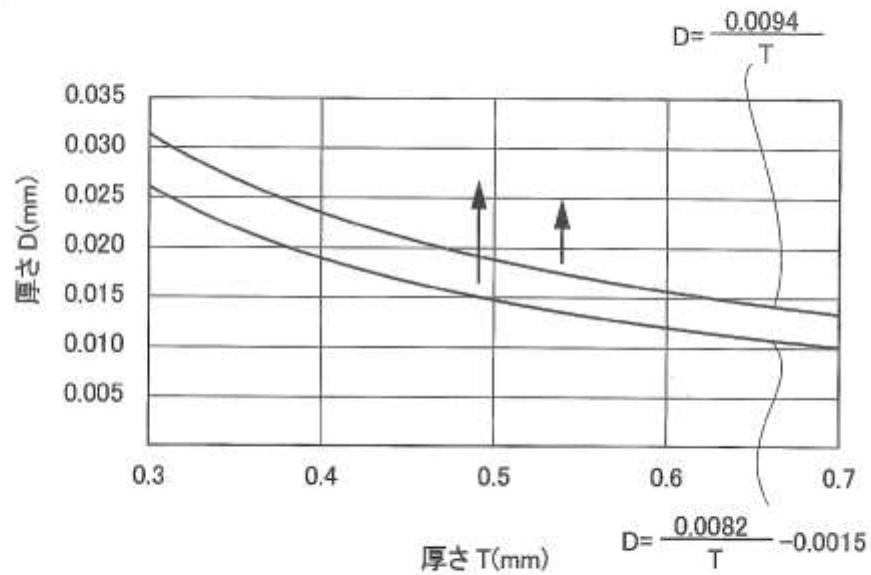
WO 2019/004484

PCT/JP2018/025104

【図3】



【図4】



- (11) No. 13
- (21) PP 13
- (22) 20/11/2014
- (30)
- (43)
- (51) Int.Cl.8G 07F 17/32
- (54) RECREATIONAL GAMBLING MACHINE FEATURING TWO OR MORE ROTATING TUMBLERS
- (57) .
- (71) PROINDUMAR, S.L.  
Plaza Cronos, n 4, 28037 Madrid, SPAIN, Spain.
- (72) JESUS FRANCO MUNOZ.
- (74) LAO TRADEMARK AGENCY (LAO IP AGENCY).
- (55)

- (11) No. 77
- (21) PP 77
- (22) 28/06/2021
- (30) PCT/TH2019/000059 19/11/2018 TH
- (43)
- (51) Int.Cl. A 61J 1/05(2006.01), B 65D 51/20(2006.01), B 65D 39/08(2006.01)
- (54) ROUND-BOTTOM TUBE WITH A TRIPLE-LOCK STOPPER
- (57) The present invention of the round-bottom tube with a triple-lock stopper is a round-bottom test tube with an open end at the top and a closed end at the bottom, containing a removable stopper. The top of the tube has outer ridges for a screw cap and inner ridges for a removable triple Jock 5 stopper. The cylinder-shaped stopper features outer threads that mesh with the inner ridges of the round-bottom tube for a secure seal. Moreover, the triple-lock stopper contains an axial hole at its top end. The axial hole on the triple Jock stopper fits a hollow plastic rod with two open ends. The top end of the plastic rod has a rectangle shape with no inner ridges that fits a luer-lok tip syringe whereas the bottom end of the plastic rod has a trapezoid shape with inner ridges that fit a slip tip syringe.
- (71) TURAJANE, Thana  
9 Soi Ruenrom, Ramkamhaeng 24 (Yak 14-1) Road Huamak Sub District, Bangkok  
District Bangkok 10240 (TH), Thailand.
- (72) TURAJANE, Thana.
- (74) Tilleke & Gibbins International Ltd.
- (55)

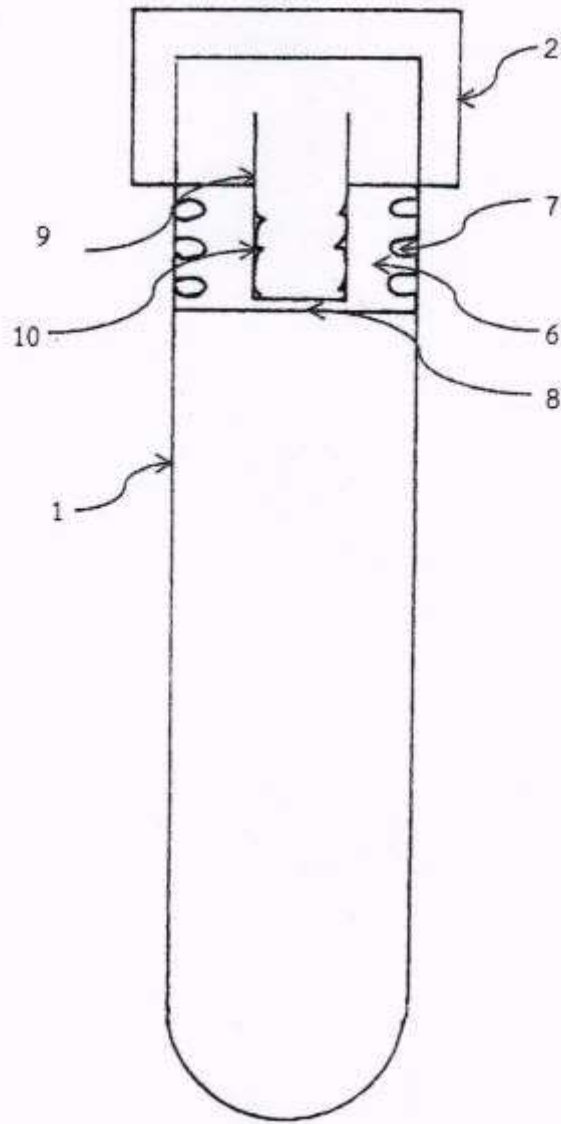


Figure 1

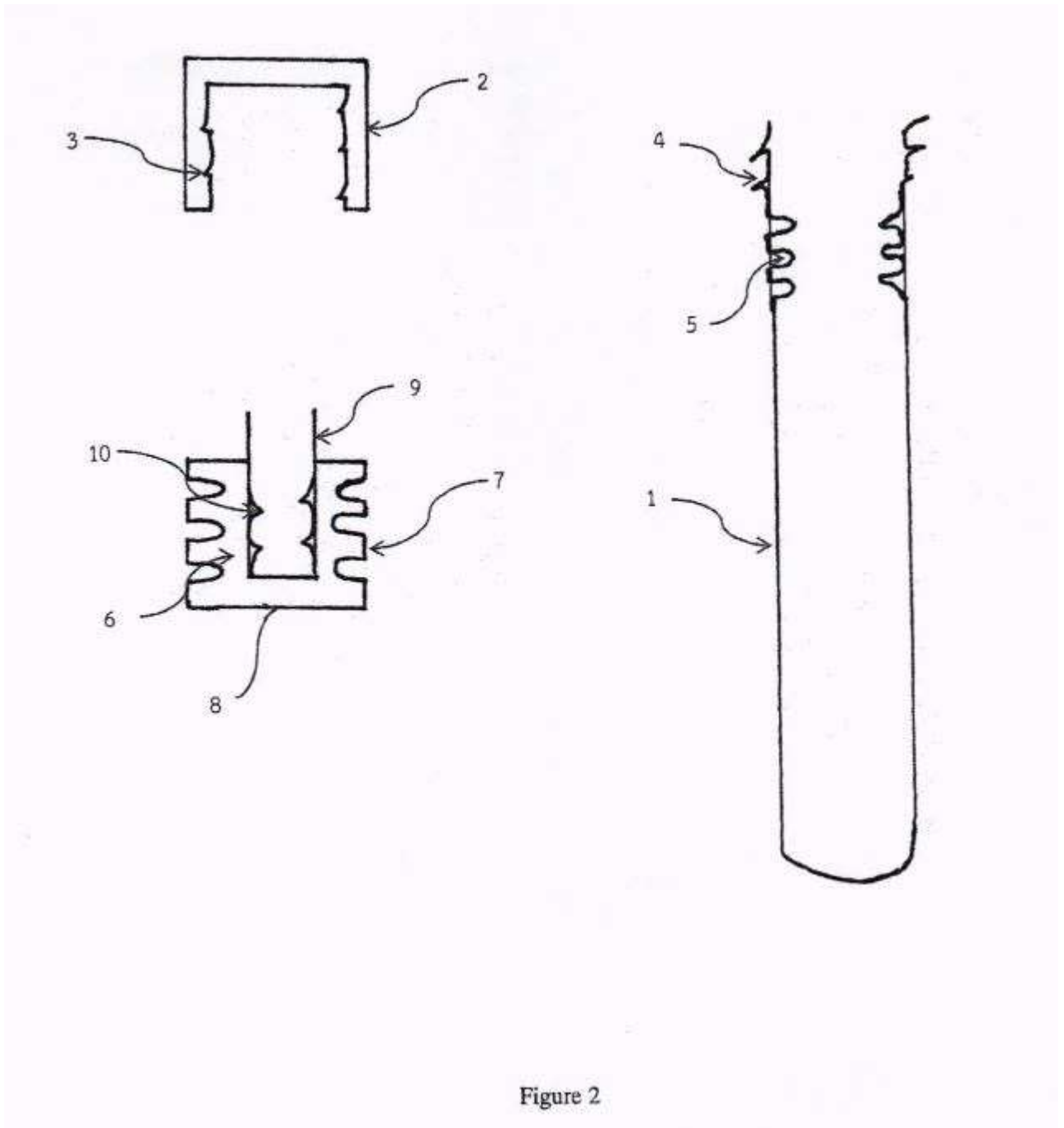


Figure 2

**ພາກທີ I**

**(Part I)**

**ສິດທິບັດ ແລະ ອະນຸສິດທິບັດ**

**(Patent and Petty Patent)**

**3. ການປ່ຽນແປງ**

**(Changes)**

**ພາກທີ I**

**(Part I)**

**ສິດທິບັດ ແລະ ອະນຸສິດທິບັດ**  
**(Patent and Petty Patent)**

**4. ການດັດແກ້**

**(Amendments)**

**ພາກທີ II**  
**(Part II)**  
**ແບບອຸດສາຫະກຳ**  
**(Industrial Design)**

**1. ຄຳຮ້ອງ**  
**(Applications)**

**ຄຳອະທິບາຍກ່ຽວກັບລະຫັດຫຍໍ້**  
**(Introduction of Codes)**

- (21) ເລກທີ ຄຳຮ້ອງ (Filing Number)
- (22) ວັນທີ ຄຳຮ້ອງ (Filing Date)
- (30) ວັນທີ ບຸລິມາສິດ (Priority Date)
- (51) ໝວດ (Locarno Classification)
- (54) ຊື່ຂອງແບບອຸດສາຫະກຳ (Title)
- (71) ຊື່ ແລະ ທີ່ຢູ່ ຂອງເຈົ້າຂອງ (Owner Name and Address)
- (72) ຊື່ຜູ້ອອກແບບ (Designer Name)
- (74) ຊື່ຕົວແທນ (Representative Name)
- (55) ຮູບພາບ (Pictures)



**ພາກທີ II**  
**(Part II)**  
**ແບບອຸດສາຫະກຳ**  
**(Industrial Design)**

**2. ຜົນການຈົດທະບຽນ**  
**(Registration)**

**ຄຳອະທິບາຍກ່ຽວກັບລະຫັດຫຍໍ້**  
**(Introduction of Codes)**

- (11) ເລກທີ ຈົດທະບຽນ (Registration Number)
- (15) ວັນທີ ຈົດທະບຽນ (Registration Date)
- (21) ເລກທີ ຍືນຄຳຮ້ອງ (Filing Number)
- (22) ວັນທີ ຍືນຄຳຮ້ອງ (Filing Date)
- (30) ວັນທີ ບຸລິມາສິດ (Priority Date)
- (17) ວັນທີ ໝົດອາຍຸ (Expiration Date)
- (51) ໝວດ (Locarno Classification)
- (54) ຊື່ຂອງແບບອຸດສາຫະກຳ (Title)
- (71) ຊື່ ແລະ ທີ່ຢູ່ ຂອງເຈົ້າຂອງ (Owner Name and Address)
- (72) ຊື່ຜູ້ອອກແບບ (Designer Name)
- (74) ຊື່ຕົວແທນ (Representative Name)
- (55) ຮູບພາບ (Pictures)

**ພາກທີ II**

**(Part II)**

**ແບບອຸດສາຫະກຳ**

**(Industrial Design)**

**3. ການປ່ຽນແປງ**

**(Changes)**

**ພາກທີ II**

**(Part II)**

**ແບບອຸດສາຫະກຳ**

**(Industrial Design)**

**4. ການດັດແກ້**

**(Amendments)**

**ພາກທີ III**  
**(Part III)**  
**ເຄື່ອງໝາຍການຄ້າ**  
**Trademarks**

**1. ຄໍາຮ້ອງ**  
**(Applications)**

**ຄໍາອະທິບາຍກ່ຽວກັບລະຫັດຫຍໍ້**  
**(Introduction of Codes)**

- (540) ເຄື່ອງໝາຍການຄ້າ (Trademark)
- (511) ໝວດ (Nice Classification)
- (210) ເລກທີ ຄໍາຮ້ອງ (Number of the application)
- (220) ວັນທີ ຄໍາຮ້ອງ (Date of filing of the application)
- (732) ຊື່ ແລະ ທີ່ຢູ່ ຂອງຜູ້ຍື່ນຄໍາຮ້ອງ (Name and Address of applicant)

## ພາກທີ III

### (Part III)

## ເຄື່ອງໝາຍການຄ້າ

## Trademarks

### 2. ຜົນການຈົດທະບຽນ

#### (Registration)

#### ຄຳອະທິບາຍກ່ຽວກັບລະຫັດຫຍໍ້

#### (Introduction of Codes)

- (540) ເຄື່ອງໝາຍການຄ້າ (Trademark)
- (511) ໝວດ (Nice Classification)
- (210) ເລກທີ ຄຳຮ້ອງ (Number of the application)
- (220) ວັນທີ ຄຳຮ້ອງ (Date of filing of the application)
- (732) ຊື່ ແລະ ທີ່ຢູ່ ຂອງຜູ້ຍື່ນຄຳຮ້ອງ (Name and Address of applicant)
- (111) ເລກທີ ການຈົດທະບຽນເຄື່ອງໝາຍການຄ້າ (Number of the registration)
- (180) ວັນໝົດອາຍຸຂອງການຈົດທະບຽນ (Expiration date of the registration)

**ພາກທີ III**  
**(Part III)**  
**ເຄື່ອງໝາຍການຄ້າ**  
**Trademarks**

**3. ການຕໍ່ອາຍຸ**  
**(Renewal)**

**ຄຳອະທິບາຍກ່ຽວກັບລະຫັດຫຍໍ້**  
**(Introduction of Codes)**

- (540) ເຄື່ອງໝາຍການຄ້າ (Trademark)
- (511) ໝວດ (Nice Classification)
- (210) ເລກທີ ຄຳຮ້ອງ (Number of the application)
- (220) ວັນທີ ຄຳຮ້ອງ (Date of filing of the application)
- (732) ຊື່ ແລະ ທີ່ຢູ່ ຂອງຜູ້ຍື່ນຄຳຮ້ອງ (Name and Address of applicant)
- (111) ເລກທີການຈັດທະບຽນເຄື່ອງໝາຍການຄ້າ (Number of the registration)
- (180) ການຕໍ່ອາຍຸການຈັດທະບຽນ (Expiration date of the renewal)

**ພາກທີ III**

**(Part III)**

**ເຄື່ອງໝາຍການຄ້າ**

**Trademarks**

**4. ການປ່ຽນແປງ**

**(Changes)**

**ພາກທີ III**  
**(Part III)**  
**ເຄື່ອງໝາຍການຄ້າ**  
**Trademarks**

**5. ການດັດແກ້**  
**(Amendments)**



**ພາກທີ IV**  
**(Part IV)**

**ເຄື່ອງໝາຍການຄ້າຜ່ານລະບົບມາດຣິດ**  
**Trademarks via Madrid Protocol**

**1. ຄໍາຮ້ອງ**  
**(Applications)**

**ຄໍາອະທິບາຍກ່ຽວກັບລະຫັດຫຍໍ້**  
**(Introduction of Codes)**

- (540) ເຄື່ອງໝາຍການຄ້າ (Trademark)
- (511) ໝວດ (Nice Classification)
- (210) ເລກທີ ຄໍາຮ້ອງ (Number of the application)
- (220) ວັນທີ ຄໍາຮ້ອງ (Date of filing of the application)
- (732) ຊື່ ແລະ ທີ່ຢູ່ ຂອງຜູ້ຍື່ນຄໍາຮ້ອງ (Name and Address of applicant)

( 540 )

**CALL IT SPRING**

(511) 18, 25 and 35

(210) No. M/1109466

(220) 09/09/2022

(732) Aldo Group International AG

Schochenmühlestrasse 6 CH-6340 Baar (ZG),  
Switzerland

( 540 )



**iBeacon**

(511) 09

(210) No. M/1209484

(220) 24/08/2022

(732) Apple Inc.

One Apple Park Way Cupertino CA 95014,  
United States of America

( 540 )

**ROLEX MENTORS  
& PROTEGES**

(511) 09, 16, 35, 36 and 41

(210) No. M/1275949

(220) 13/09/2022

(732) Rolex SA

3-5-7, rue François-Dussaud CH-1211

Genève, Switzerland

( 540 )

**CLARIS**

(511) 09 and 42

(210) No. M/1500444

(220) 23/08/2022

(732) Claris International Inc.

One Apple Park Way Cupertino CA 95014,

United States of America

( 540 )

The logo for 'thyseed' is written in a lowercase, rounded, sans-serif font. The letters are black and have a slightly irregular, hand-drawn appearance.

(511) 07, 10, 21 and 35

(210) No. M/1520226

(220) 08/09/2022

(732) Beijing Shenchuang Century Information  
Technology Co., Ltd.

A-1608, 13th Floor, Jianwai SOHO Building  
24, (North Office Building), No. 39,  
Dongsanhuan Middle Road Chaoyang  
District, Beijing, China

( 540 )

The logo for 'TOOPRE' features a stylized gear icon on the left, with the word 'TOOPRE' in a bold, uppercase, sans-serif font to its right. The gear is black and has a white center.

(511) 08

(210) No. M/1589724

(220) 24/08/2022

(732) KUNSHAN TOOPRE OUTDOOR  
SUPPLIES CO., LTD.

Building 2, No. 99, Qipu West Road,  
Zhangpu town, Kunshan City 266001 Jiangsu  
Province, China

( 540 )



(511) 09

(210) No. M/1616202

(220) 29/08/2022

(732) Apple Inc.

One Apple Park Way Cupertino CA 95014,  
United States of America

( 540 )



(511) 03, 05 and 35

(210) No. M/1657439

(220) 14/09/2022

(732) Holland & Barrett International Limited

Samuel Ryder House, Barling Way, Eliot  
Park Nuneaton, Warwickshire CV10 7RH,  
United Kingdom

( 540 )



(511) 29, 30 and 32

(210) No. M/1685832

(220) 24/05/2022

(732) A1 (Xiamen) Food Science and Technology  
Co., Ltd.

Unit 901, No. 65 Chengyibei Avenue,  
Software Park Phase III, Xiamen Fujian  
Province, China

( 540 )



(511) 09, 28 and 41

(210) No. M/1685872

(220) 30/05/2022

(732) Euro Games Technology Ltd.

4, "Maritsa" Str. "Vranya-Lozen-Triugulnika"  
BG-1151 Sofia, Bulgaria

( 540 )

**HORWIN**

(511) 12

(210) No. M/1685898

(220) 25/04/2022

(732) XL HOLDING GROUP CO., LIMITED

Building 33-1, Hengsheng Tech Park, No. 8  
Beitanghe Road, Tianning Dist, Changzhou  
213000 Jiangsu, China

( 540 )

**Lucky  
HIT**

(511) 09, 28 and 41

(210) No. M/1685940

(220) 19/05/2022

(732) Euro Games Technology Ltd.

4, "Maritsa" Str. "Vranya-Lozen-Triugulnika"  
BG-1151 Sofia, Bulgaria

( 540 )

**XHINKCAR**

(511) 09, 12, 35, 37 and 42

(210) No. M/1685942

(220) 26/05/2022

(732) THINKCAR TECH CO., LTD.

2606, Building 4, Phase II, Tianan Yungu,

Gangtou Community, Bantian, Longgang

District, Shenzhen 518100 Guangdong, China

( 540 )

**ULTRAFUSION**

(511) 09

(210) No. M/1685944

(220) 18/07/2022

(732) Apple Inc.

One Apple Park Way Cupertino CA 95014,

United States of America



( 540 )



(511) 09

(210) No. M/1685982

(220) 10/06/2022

(732) KOWA COMPANY, LTD.

6-29, Nishiki 3-chome, Naka-ku, Nagoya-shi  
Aichi-ken 460-8625, Japan

( 540 )



(511) 07 and 11

(210) No. M/1686042

(220) 16/06/2022

(732) WUXI LITTLE SWAN ELECTRIC CO.,  
LTD.

No. 18, South Changjiang Road, New  
District, Wuxi 214028 Jiangsu, China

( 540 )

**TYCUMA**

(511) 36

(210) No. M/1686085

(220) 20/07/2022

(732) TYCUMA, LLC

1001 Crofton Landing Suwanee GA 30024,  
United States of America

( 540 )

**Solo Cut**

(511) 09

(210) No. M/1686316

(220) 29/07/2022

(732) Honor Device Co., Ltd.

Suite 3401, Unit A, Building 6, Shum Yip  
Sky Park, No. 8089, Hongli West Road,  
Xiangmihu Street, Futian District, Shenzhen  
518040 Guangdong, China

( 540 )

**BEYOND ZERO**

(511) 07, 09, 12 and 35

(210) No. M/1686317

(220) 03/08/2022

(732) TOYOTA JIDOSHA KABUSHIKI KAISHA

(also trading as TOYOTA MOTOR

CORPORATION)

1, Toyota-cho, Toyota-shi Aichi-ken 471-8571,  
Japan

( 540 )

**SHINING CROWN**

(511) 09, 28 and 41

(210) No. M/1686424

(220) 02/06/2022

(732) Euro Games Technology Ltd.

4, "Maritsa" Str. "Vranya-Lozen-Triugulnika"  
BG-1151 Sofia, Bulgaria

( 540 )

**Shiny Cash**

(511) 09, 28 and 41

(210) No. M/1686426

(220) 08/06/2022

(732) Euro Games Technology Ltd.

4, "Maritsa" Str. "Vranya-Lozen-Triugulnika"

BG-1151 Sofia, Bulgaria

( 540 )

**9 CRYSTAL Bonanza**

(511) 09, 28 and 41

(210) No. M/1686427

(220) 08/06/2022

(732) Euro Games Technology Ltd.

4, "Maritsa" Str. "Vranya-Lozen-Triugulnika"

BG-1151 Sofia, Bulgaria

( 540 )

**Carnaval de la  
Calavera**

(511) 09, 28 and 41

(210) No. M/1686428

(220) 08/06/2022

(732) Euro Games Technology Ltd.

4, "Maritsa" Str. "Vranya-Lozen-Triugulnika"

BG-1151 Sofia, Bulgaria

( 540 )

**POCKETALK**

(511) 42

(210) No. M/1686485

(220) 28/07/2022

(732) POCKETALK CORPORATION

1-5-2, Higashi Shimbashi, Minato-ku Tokyo

105-7133, Japan

( 540 )



(511) 09, 28 and 41

(210) No. M/1686544

(220) 19/05/2022

(732) Euro Games Technology Ltd.

4, "Maritsa" Str. "Vranya-Lozen-Triugulnika"

BG-1151 Sofia, Bulgaria

( 540 )



(511) 09, 28 and 41

(210) No. M/1686545

(220) 02/06/2022

(732) Euro Games Technology Ltd.

4, "Maritsa" Str. "Vranya-Lozen-Triugulnika"

BG-1151 Sofia, Bulgaria

( 540 )

**QiFENDA**

(511) 05

(210) No. M/1686618

(220) 20/02/2022

(732) AIPHARMA DEVELOPMENT LLC

16192 COASTAL HIGHWAY LEWES DE  
19958, United States of America

( 540 )

**SENLO**

(511) 11

(210) No. M/1686725

(220) 26/07/2022

(732) Dongguan Senlo Photoelectric Technology  
Co., Ltd.

No. 6 Room 918, Mulun Innovation Road,  
Changping Town, Dongguan City 523570  
Guangdong Province, China

( 540 )

**AN APPLE  
ORIGINAL**

(511) 41

(210) No. M/1686765

(220) 29/08/2022

(732) Apple Inc.

One Apple Park Way Cupertino CA 95014,  
United States of America

( 540 )

**e& capital**

(511) 36 and 42

(210) No. M/1686872

(220) 01/07/2022

(732) EMIRATES TELECOMMUNICATIONS

GROUP COMPANY PJSC

Intersection of Sheikh Zayed II Street and  
Sheikh Rashid Bin Saeed Al Maktoum Street,  
P.O. Box 3838 Abu Dhabi,  
United Arab Emirates



( 540 )



(511) 36 and 42

(210) No. M/1686873

(220) 01/07/2022

(732) EMIRATES TELECOMMUNICATIONS

GROUP COMPANY PJSC

Intersection of Sheikh Zayed II Street and  
Sheikh Rashid Bin Saeed Al Maktoum Street,  
P.O. Box 3838 Abu Dhabi,  
United Arab Emirates

( 540 )



(511) 38, 41 and 42

(210) No. M/1686874

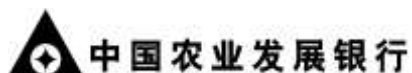
(220) 01/07/2022

(732) EMIRATES TELECOMMUNICATIONS

GROUP COMPANY PJSC

Intersection of Sheikh Zayed II Street and  
Sheikh Rashid Bin Saeed Al Maktoum Street,  
P.O. Box 3838 Abu Dhabi,  
United Arab Emirates

( 540 )



(511) 36

(210) No. M/1687044

(220) 11/05/2022

(732) Agricultural Development Bank Of China  
No. 2 Yuetan North Street, Xicheng District  
Beijing, China

( 540 )

**ARMATURA**

(511) 09 and 42

(210) No. M/1687065

(220) 15/06/2022

(732) ZKTECO CO., LTD.  
No. 32, Pingshan Industrial Avenue, Tangxia  
Town, Dongguan City Guangdong Province,  
China

( 540 )



(511) 03

(210) No. M/1687072

(220) 02/06/2022

(732) NAKAGAWA CO.,LTD.

3-26-2, Hannan-cho, Abeno-ku, Osaka-shi

545-0021 Osaka, Japan

( 540 )

**CLARIS STUDIO**

(511) 42

(210) No. M/1687107

(220) 22/08/2022

(732) Claris International Inc.

One Apple Park Way Cupertino CA 95014,

United States of America

( 540 )



(511) 38, 41 and 42

(210) No. M/1687124

(220) 01/07/2022

(732) EMIRATES TELECOMMUNICATIONS  
GROUP COMPANY PJSC

Intersection of Sheikh Zayed II Street and  
Sheikh Rashid Bin Saeed Al Maktoum Street,  
P.O. Box 3838 Abu Dhabi,  
United Arab Emirates

( 540 )



(511) 35 and 38

(210) No. M/1687127

(220) 01/07/2022

(732) EMIRATES TELECOMMUNICATIONS  
GROUP COMPANY PJSC

Intersection of Sheikh Zayed II Street and  
Sheikh Rashid Bin Saeed Al Maktoum Street,  
P.O. Box 3838 Abu Dhabi,  
United Arab Emirates

( 540 )

**e& etisalat and**

(511) 09, 35, 36, 38, 41 and 42

(210) No. M/1687128

(220) 01/07/2022

(732) EMIRATES TELECOMMUNICATIONS

GROUP COMPANY PJSC

Intersection of Sheikh Zayed II Street and  
Sheikh Rashid Bin Saeed Al Maktoum Street,  
P.O. Box 3838 Abu Dhabi,  
United Arab Emirates

( 540 )

**make possible**

(511) 35 and 38

(210) No. M/1687132

(220) 01/07/2022

(732) EMIRATES TELECOMMUNICATIONS

GROUP COMPANY PJSC

Intersection of Sheikh Zayed II Street and  
Sheikh Rashid Bin Saeed Al Maktoum Street,  
P.O. Box 3838 Abu Dhabi,  
United Arab Emirates

( 540 )



(511) 07, 08 and 09

(210) No. M/1687170

(220) 22/06/2022

(732) Zhejiang Shijing Tools Co.,Ltd.

No.1, Weiwu West Road, Tongqin Town,  
Wuyi County, Jinhua City Zhejiang, China

( 540 )



(511) 12

(210) No. M/1687198

(220) 18/02/2022

(732) TOYOTA JIDOSHA KABUSHIKI KAISHA

(also trading as TOYOTA MOTOR  
CORPORATION)

1, Toyota-cho, Toyota-shi Aichi-ken 471-  
8571, Japan

## ພາກທີ IV

### (Part IV)

#### ເຄື່ອງໝາຍການຄ້າຜ່ານລະບົບມາດຣິດ

#### Trademarks via Madrid Protocol

### 2. ຜົນການຈົດທະບຽນ

#### (Registration)

##### ຄຳອະທິບາຍກ່ຽວກັບລະຫັດຫຍໍ້

##### (Introduction of Codes)

- (540) ເຄື່ອງໝາຍການຄ້າ (Trademark)
- (511) ໝວດ (Nice Classification)
- (210) ເລກທີ ຄຳຮ້ອງ (Number of the application)
- (220) ວັນທີ ຍື່ນຄຳຮ້ອງ (Date of filing of the application)
- (732) ຊື່ ແລະ ທີ່ຢູ່ ຂອງຜູ້ຍື່ນຄຳຮ້ອງ (Name and Address of applicant)
- (111) ເລກທີການຈົດທະບຽນເຄື່ອງໝາຍການຄ້າ (Number of the registration)
- (180) ວັນໝົດອາຍຸຂອງການຈົດທະບຽນ (Expiration date of the registration)

## ພາກທີ IV

### (Part IV)

## ເຄື່ອງໝາຍການຄ້າຜ່ານລະບົບມາດຣິດ

## Trademarks via Madrid Protocol

### 3. ຜົນການຕໍ່ອາຍຸ

#### (Renewal)

#### ຄຳອະທິບາຍກ່ຽວກັບລະຫັດຫຍໍ້

#### (Introduction of Codes)

- (540) ເຄື່ອງໝາຍການຄ້າ (Trademark)
- (511) ໝວດ (Nice Classification)
- (210) ເລກທີ ຄຳຮ້ອງ (Number of the application)
- (220) ວັນທີ ຍື່ນຄຳຮ້ອງ (Date of filing of the application)
- (732) ຊື່ ແລະ ທີ່ຢູ່ ຂອງຜູ້ຍື່ນຄຳຮ້ອງ (Name and Address of applicant)
- (111) ເລກທີການຈົດທະບຽນເຄື່ອງໝາຍການຄ້າ (Number of the registration)
- (180) ການຕໍ່ອາຍຸຂອງການຈົດທະບຽນ (Expiration date of the renewal)



**ພາກທີ IV**

**(Part IV)**

**ເຄື່ອງໝາຍການຄ້າຜ່ານລະບົບມາດຣິດ**

**Trademarks via Madrid Protocol**

**4. ການປ່ຽນແປງ**

**(Changes)**

**ພາກທີ IV**

**(Part IV)**

**ເຄື່ອງໝາຍການຄ້າຜ່ານລະບົບມາດຣິດ**

**Trademarks via Madrid Protocol**

**5. ການດັດແກ້**

**(Amendments)**

**ພາກທີ V**  
**(Part V)**  
**ຖິ່ນກຳເນີດ**  
**Geographical Indications**

**1. ຄຳຮ້ອງ**  
**(Applications)**

**ພາກທີ V**  
**(Part V)**  
**ຖິ່ນກຳເນີດ**  
**Geographical Indications**

**2. ຜົນການຈົດທະບຽນ**  
**(Registration)**

**ພາກທີ V**

**(Part V)**

**ຖິ່ນກຳເນີດ**

**Geographical Indications**

**3. ການປ່ຽນແປງ**

**(Changes)**

**ພາກທີ V**  
**(Part V)**  
**ຖິ່ນກຳເນີດ**  
**Geographical Indications**

**4. ການດັດແກ້**  
**(Amendments)**

**ພາກທີ VI**

**(Part VI)**

**ພັນພືດໃໝ່**

**New Plant Varieties**

**1. ຄໍາຮ້ອງ**

**(Applications)**

**ພາກທີ VI**

**(Part VI)**

**ພັນພືດໃໝ່**

**New Plant Varieties**

**2. ຜົນການຈົດທະບຽນ**

**(Registration)**



**ພາກທີ VI**

**(Part VI)**

**ພັນພືດໃໝ່**

**New Plant Varieties**

**3. ການປ່ຽນແປງ**

**(Changes)**

**ພາກທີ VI**

**(Part VI)**

**ພັນພືດໃໝ່**

**New Plant Varieties**

**4. ການດັດແກ້**

**(Amendments)**

**ພາກທີ VII**

**(Part VII)**

**ລິຂະສິດ ແລະ ສິດກ່ຽວຂ້ອງກັບລິຂະສິດ**

**Copyrights and Related Rights**

**1. ການແຈ້ງຂໍ້ມູນ**

**(Notifications)**

**ພາກທີ VII**

**(Part VII)**

**ລິຂະສິດ ແລະ ສິດກ່ຽວຂ້ອງກັບລິຂະສິດ**

**Copyrights and Related Rights**

**2. ການປ່ຽນແປງ**

**(Changes)**

**ພາກທີ VIII**

**(Part VIII)**

**ການແກ້ໄຂຂໍ້ຂັດແຍ່ງທາງດ້ານບໍລິຫານກ່ຽວກັບການຈົດທະບຽນຊັບ  
ສິນອຸດສາຫະກຳ ແລະ ພັນພືດໃໝ່**

**Administrative Dispute Resolutions on the Registration of  
Industrial Property and New Plant Varieties**

**1. ຜົນການຄັດຄ້ານຄຳຮ້ອງ**

**(Result of Oppositions)**

## **ພາກທີ VIII**

### **(Part VIII)**

**ການແກ້ໄຂຂໍ້ຂັດແຍ່ງທາງດ້ານບໍລິຫານກ່ຽວກັບການຈັດທະບຽນຊັບ  
ສິນອຸດສາຫະກຳ ແລະ ພັນພືດໃໝ່**

**Administrative Dispute Resolutions on the Registration of  
Industrial Property and New Plant Varieties**

#### **2. ຜົນການແຈ້ງປະຕິເສດ**

**(Result of Refusals)**

**ພາກທີ VIII**

**(Part VIII)**

**ການແກ້ໄຂຂໍ້ຂັດແຍ່ງທາງດ້ານບໍລິຫານກ່ຽວກັບການຈັດທະບຽນຊັບ  
ສິນອຸດສາຫະກຳ ແລະ ພັນພືດໃໝ່**

**Administrative Dispute Resolutions on the Registration of  
Industrial Property and New Plant Varieties**

**3. ຜົນການຍົກເລີກ ຫຼື ລົບລ້າງ ຂອງການຈັດທະບຽນ  
(Result of Cancellation or Invalidation of Registration)**