



ສາທາລະນະລັດ ປະຊາທິປະໄຕ ປະຊາຊົນລາວ
LAO PEOPLE'S DEMOCRATIC REPUBLIC

ກະຊວງ ອຸດສາຫະກຳ ແລະ ການຄ້າ
ກົມຊັບສິນທາງປັນຍາ

MINISTRY OF INDUSTRY AND COMMERCE
DEPARTMENT OF INTELLECTUAL PROPERTY

ຈົດໝາຍເຫດທາງລັດຖະການ
ກ່ຽວກັບ ຊັບສິນທາງປັນຍາ
ຢູ່ ສປປ ລາວ

OFFICIAL GAZETTE ON INTELLECTUAL PROPERTY
IN LAO PDR

ສະບັບທີ (Vol.) 178

ພາກທີ I (Part I)

ສິດທິບັດ ແລະ ອະນຸສິດທິບັດ (Patent and Petty Patent)

1. ຄໍາຮ້ອງ (Applications)

ຄໍາອະທິບາຍກ່ຽວກັບລະຫັດຫຍໍ້ (Introduction of Codes)

- (21) ເລກທີ ຄໍາຮ້ອງ (Filing Number)
- (22) ວັນທີ ຍືນຄໍາຮ້ອງ (Filing Date)
- (30) ວັນທີ ບຸລິມະສິດ (Priority Date)
- (43) ວັນທີເຜີຍແຜ່ (Publication Date)
- (51) ໝວດ (International Patent Classification)
- (54) ຊື່ຂອງການປະດິດ (Title)
- (57) ບົດຄັດຫຍໍ້ (Abstract)
- (71) ຊື່ ແລະ ທີ່ຢູ່ ເຈົ້າຂອງສິດທິບັດ ແລະ ອະນຸສິດທິບັດ (Owner Name and Address)
- (72) ຊື່ຜູ້ປະດິດ (Inventor Name)
- (74) ຊື່ຕົວແທນ (Representative Name)
- (55) ຮູບພາບ (Pictures)

ພາກທີ I (Part I)

ສິດທິບັດ ແລະ ອະນຸສິດທິບັດ (Patent and Petty Patent)

2. ຜົນການອອກສິດທິບັດ ແລະ ອະນຸສິດທິບັດ (Grant of Patents and Petty Patents)

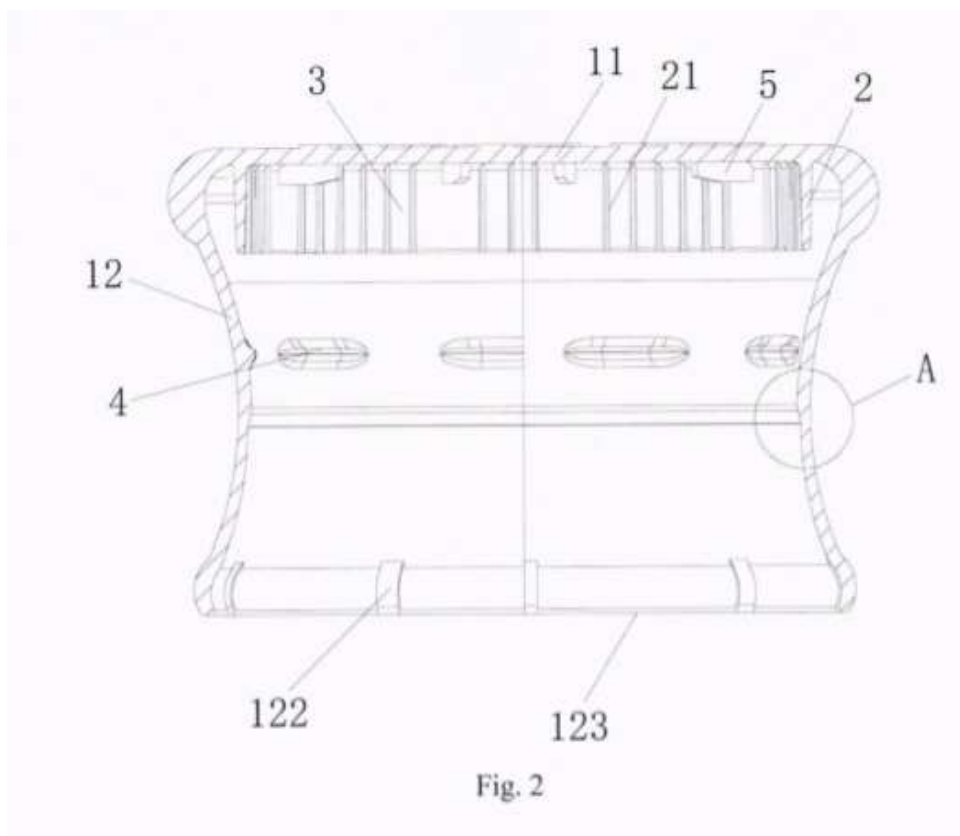
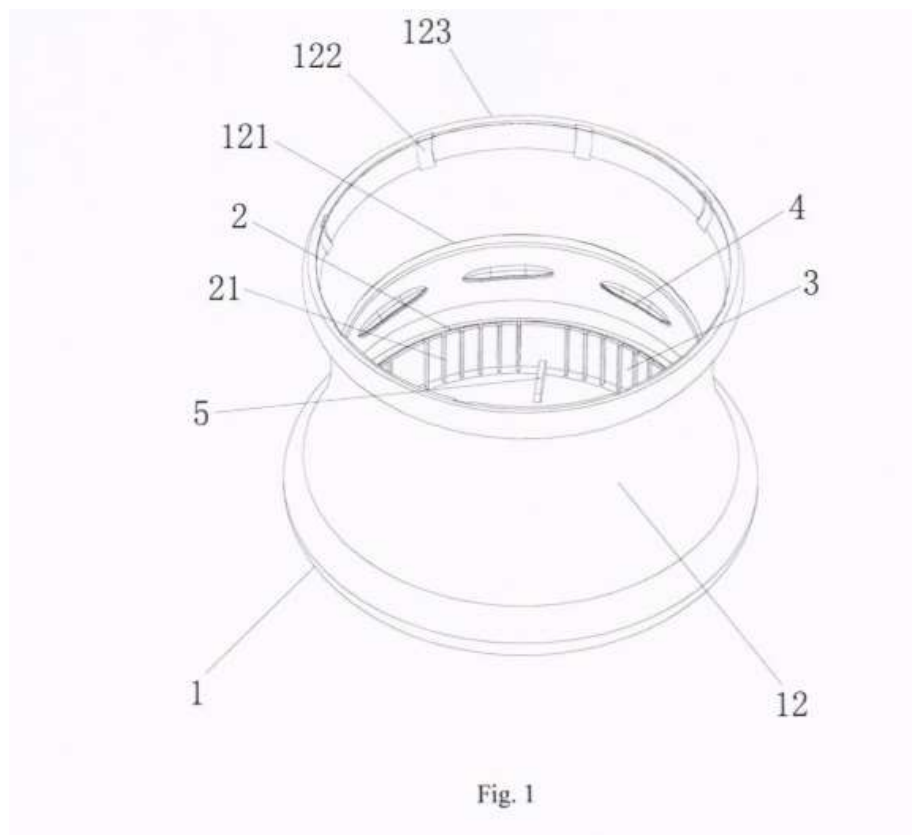
ຄຳອະທິບາຍກ່ຽວກັບລະຫັດຫຍໍ້ (Introduction of Codes)

- (11) ເລກທີ (Grant Number)
- (21) ເລກທີ ຄຳຮ້ອງ (Filing Number)
- (22) ວັນທີຍື່ນຄຳຮ້ອງ (Filing Date)
- (30) ວັນທີ ບຸລິມະສິດ (Priority Date)
- (43) ວັນທີເຜີຍແຜ່ (Publication Date)
- (51) ໝວດ (International Patent Classification)
- (54) ຫົວຂໍ້ການປະດິດ (Title)
- (57) ບົດຄັດຫຍໍ້ (Abstract)
- (71) ຊື່ ແລະ ທີ່ຢູ່ ເຈົ້າຂອງສິດທິບັດ ແລະ ອະນຸສິດທິບັດ (Owner Name and Address)
- (72) ຊື່ຜູ້ປະດິດ (Inventor Name)
- (74) ຊື່ຕົວແທນ (Representative Name)
- (55) ຮູບພາບ (Pictures)

- (11) No. 397
- (21) PA 397
- (22) 21/10/2015
- (30)
- (43) 28/10/2022
- (51) Int.Cl.8H 04N 1/028
- (54) IMAGE CAPTURING
- (57) This invention relates to image and biometric capturing. In particular, the invention relates to a mobile communications device mount and to a method of capturing images and biometric data with a mobile communication device. The mobile communications device accessory, includes a document receptacle shaped and dimensioned to hold a document in an imaging zone and a device mounting, shaped and dimensioned to receive a mobile communications device having a built in camera such that the built in camera is directed at the document receptacle imaging zone.
- (71) TYME LIMITED
Unit B, 18/F, Wing Wah Industrial Building, 677 King's Road, Quarry Bay, Hong Kong.
- (72) John Kininmonth KANE and Rafi Muller LEIGH.
- (74) LAO TRADEMARK AGENCY.
- (55)

- (11) No. 665
- (21) PA 665
- (22) 14/05/2019
- (30)
- (43) 28/10/2022
- (51) Int.Cl.2018.01C 03C 3/085(2006.01), C 03C 3/087(2006.01), C 03C 3/091(2006.01), G 11B 5/73(2006.01)
- (54) --
- (57) Provided is a glass for magnetic recording medium substrate, which is an amorphous oxide glass, wherein, in terms of mol%, a SiO₂ content ranges from 45 to 68%; an Al₂O₃ content ranges from 5 to 20%; a total content of SiO₂ and Al₂O₃ ranges from 60 to 80%; a B₂O₃ content ranges from 0 to 5%; an MgO content ranges from 3 to 28%; a CaO content ranges from 0 to 18%; a total content of BaO and SrO ranges from 0 to 2%; a total content of alkali earth metal oxides ranges from 12 to 30%; a total content of alkali metal oxides ranges from 3.5 to 15%; and at least one kind selected from the group consisting of Sn oxide and Ce oxide being included, a total content of Sn oxide and Ce oxide ranges from 0.05 to 2.00%, a glass transition temperature is equal to or higher than 625°C; a Young's modulus is equal to or more than 83 GPa; a specific gravity is equal to or less than 2.85; and an average linear expansion coefficient at 100 to 300°C is equal to or more than 48 × 10⁻⁶/°C.
- (71) HOYA CORPORATION
6-10-1, Nishi-Shinjuku, Shinjuku-ku, Tokyo 1608347, Japan.
- (72) SATO Koichi and HASHIMOTO Kazuaki.
- (74) Tilleke & Gibbins Lao Co., Ltd.
- (55)

- (11) No. 54
- (21) PP 54
- (22) 07/05/2019
- (30) 201720443564.1 25/04/2017 CN
- (43) 28/10/2022
- (51) Int.Cl.
- (54) DECORATIVE CAP, BOTTLE CAP COMPRISING SAME, AND BOTTLE STRUCTURE
- (57) The present utility model discloses a decorative cover, and a bottle cover and a bottle body structure comprising the decorative cover. The decorative cover comprises a cover body (1); the cover body comprises a top cover (11), and an annular sidewall (12) with waistlines shrinking; the sidewall (12) comprises an avoidance structure (121) located on an inner surface of the sidewall (12) for avoiding an edge of a support ring of a bottle body, and grooves (122) located at a bottom edge of the inner surface of the sidewall (12); a gap cavity is formed between the avoidance structure (121) and a corresponding outer wall surface of the bottle body; top portions of the grooves (122) are in communication with the gap cavity, and bottom portions of the grooves (122) is provided in communication with a bottom surface of the sidewall (12). The decorative cover provided by the present utility model, and the bottle cover and the bottle body structure comprising the decorative cover can realize the air circulation between the decorative cover and a sealing cover or between the decorative cover and the bottle body, so that water or liquid remaining on the bottle body or a cover body of the sealing cover is quickly dried.
- (71) Inner Mongolia Yili Industrial Group Co., Ltd
No.1 Jinshan Avenue , Jinshan Development Zone, Hohhot City, Inner Mongolia 010110, China.
- (72) YANG, Jie.
- (74) CONCETTI-LAO CO., LTD.
- (55)



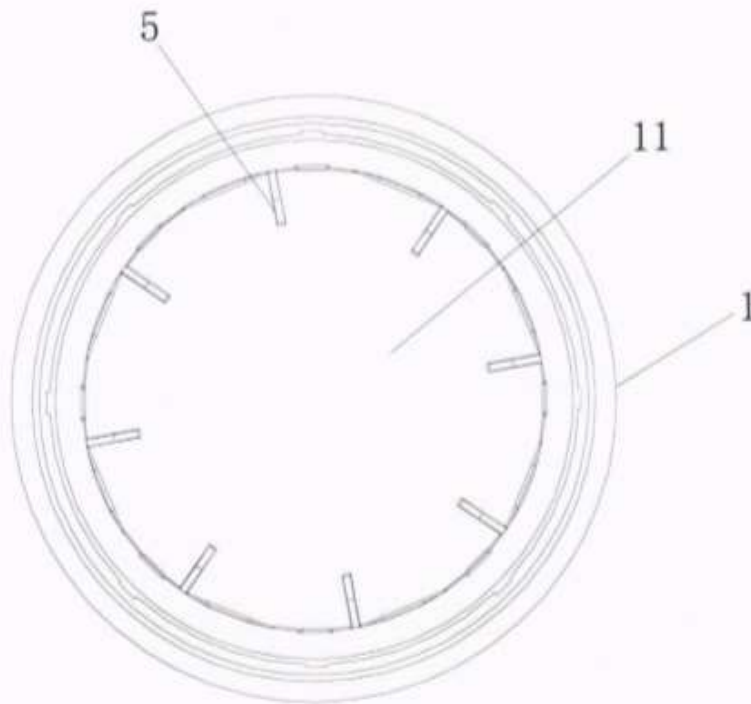


Fig. 3

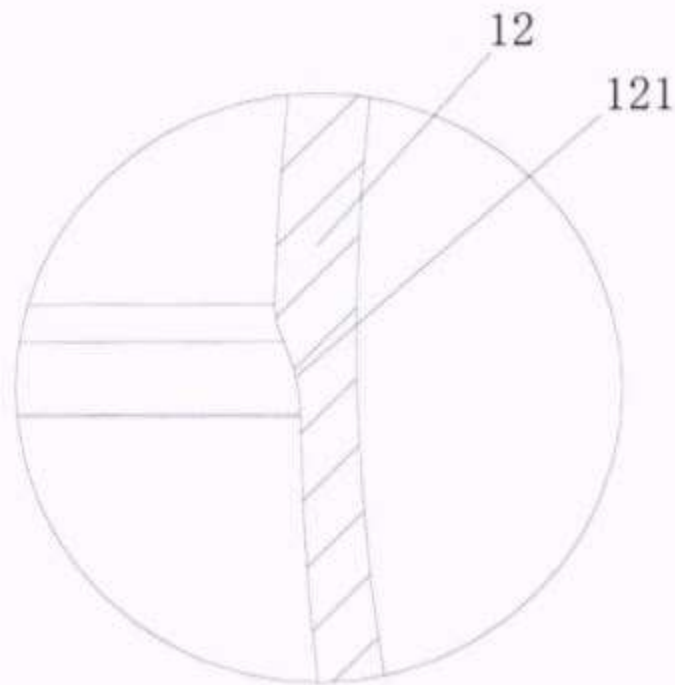
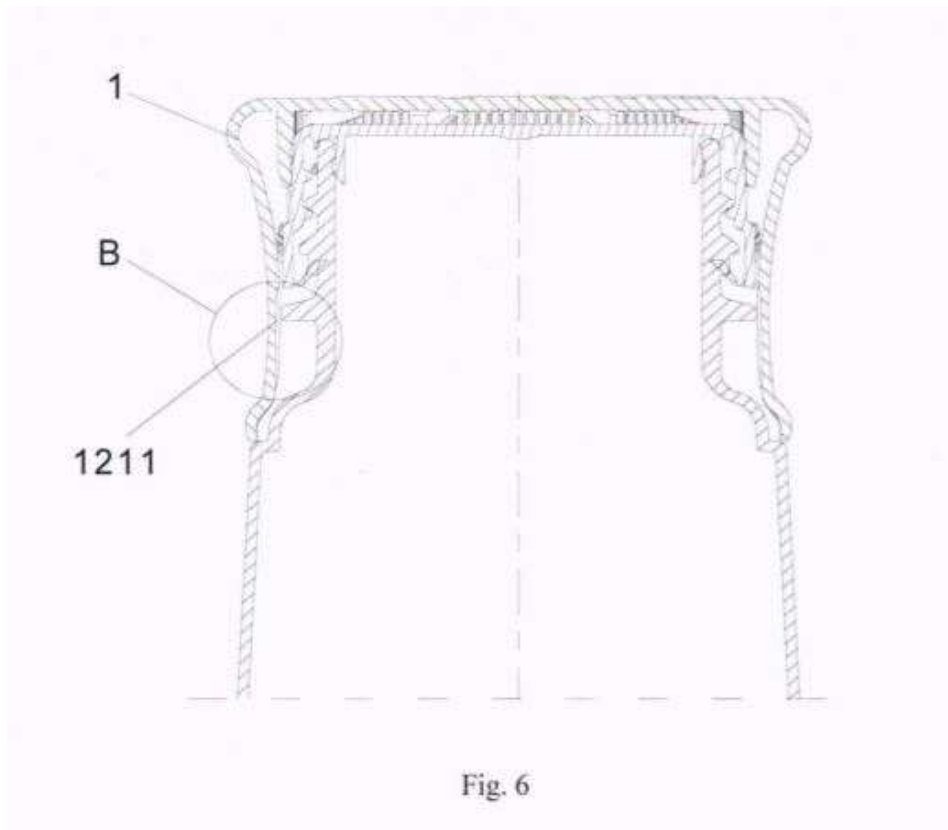
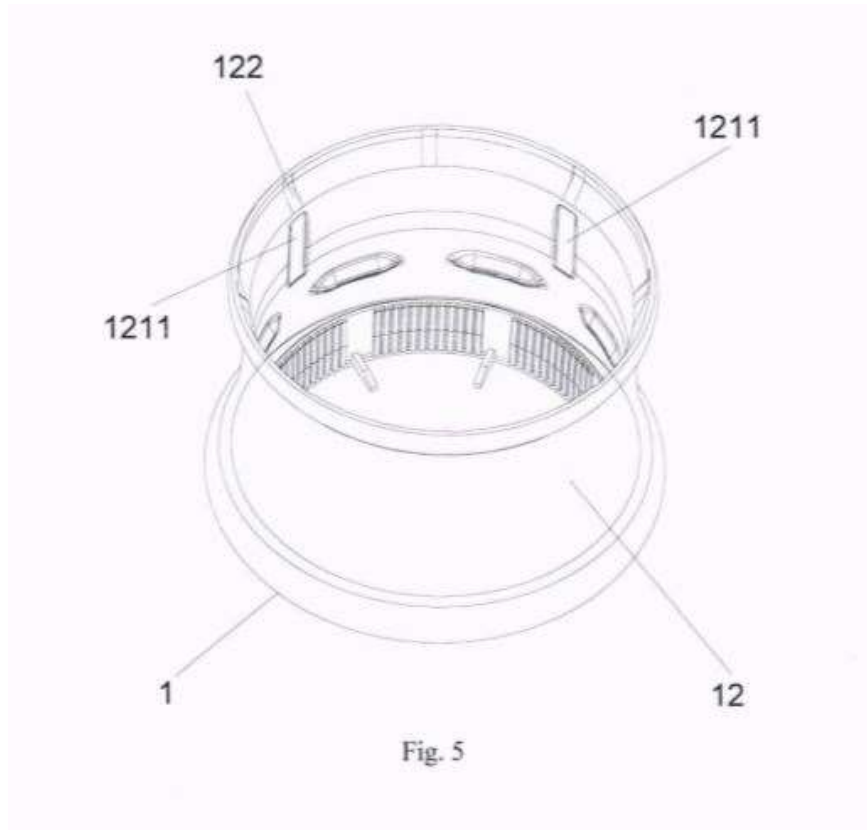


Fig. 4



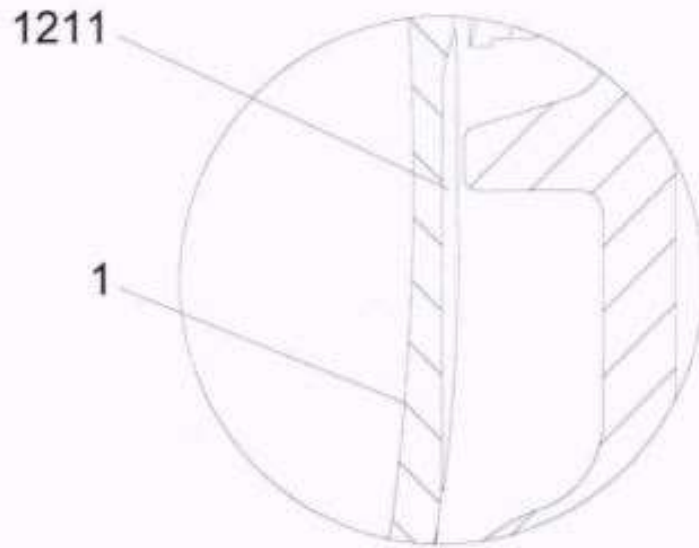


Fig. 7

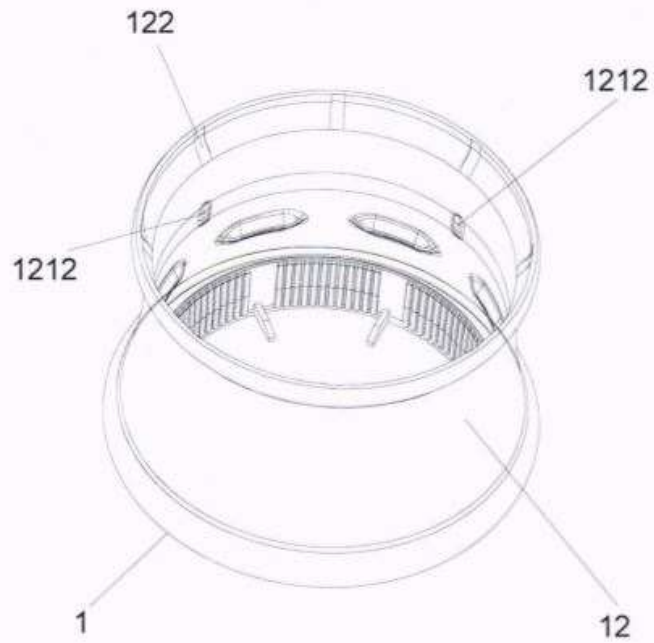
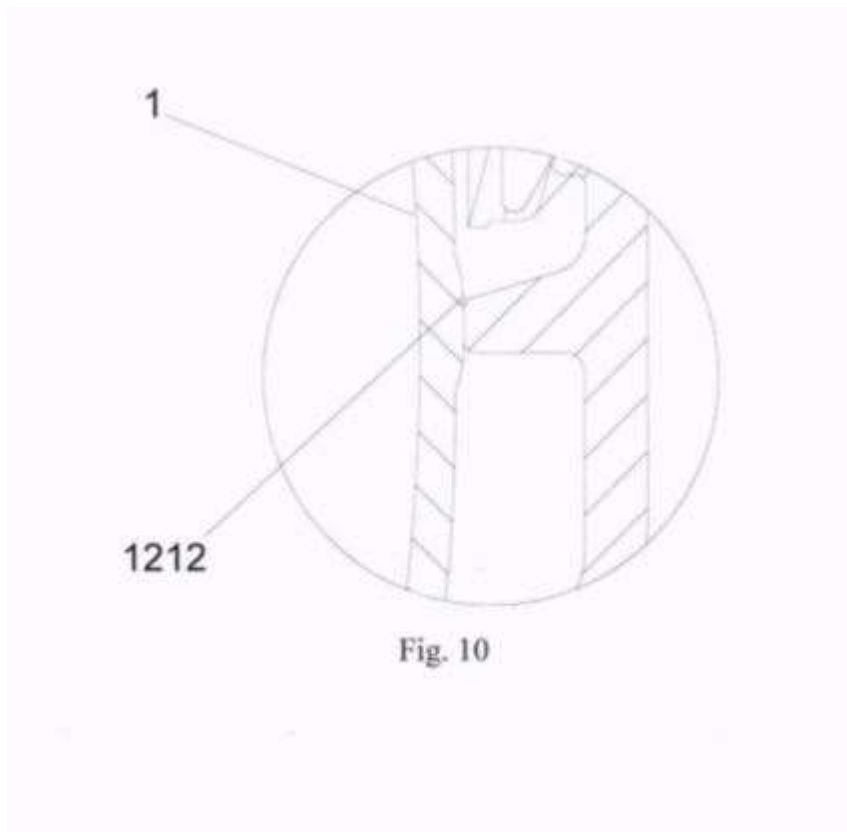
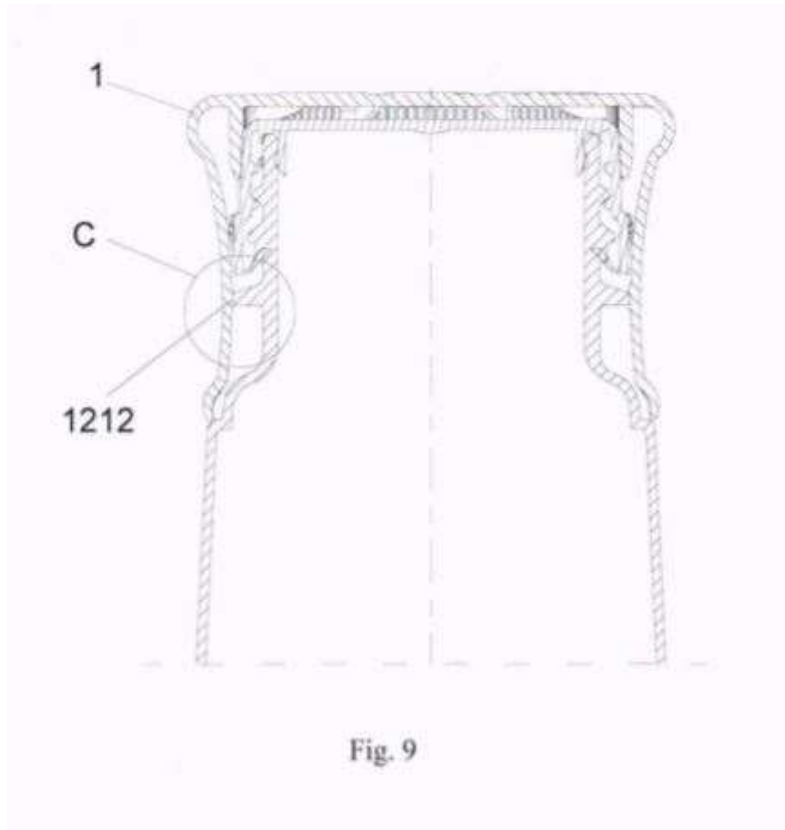


Fig. 8



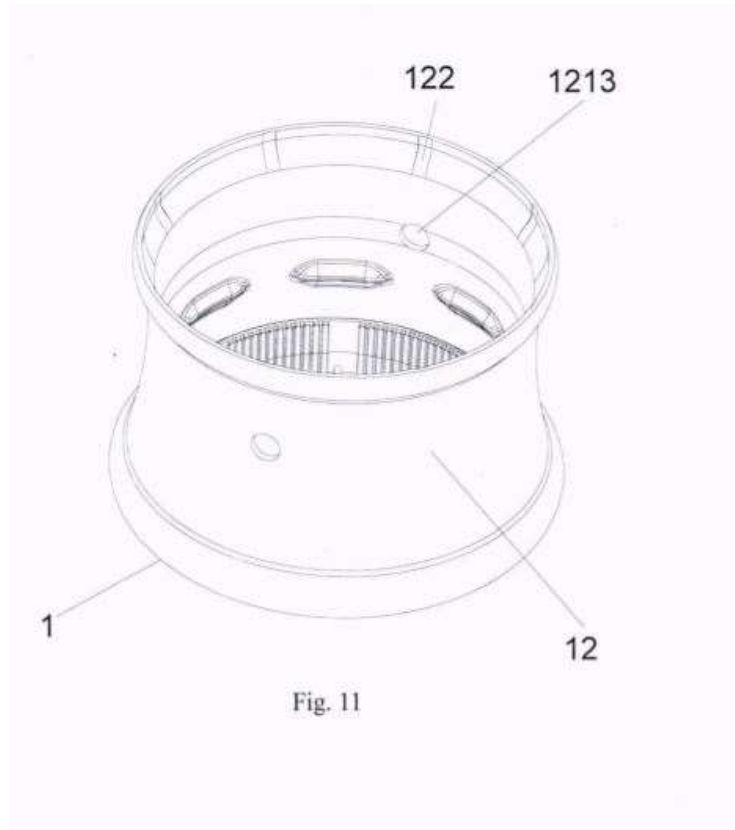


Fig. 11

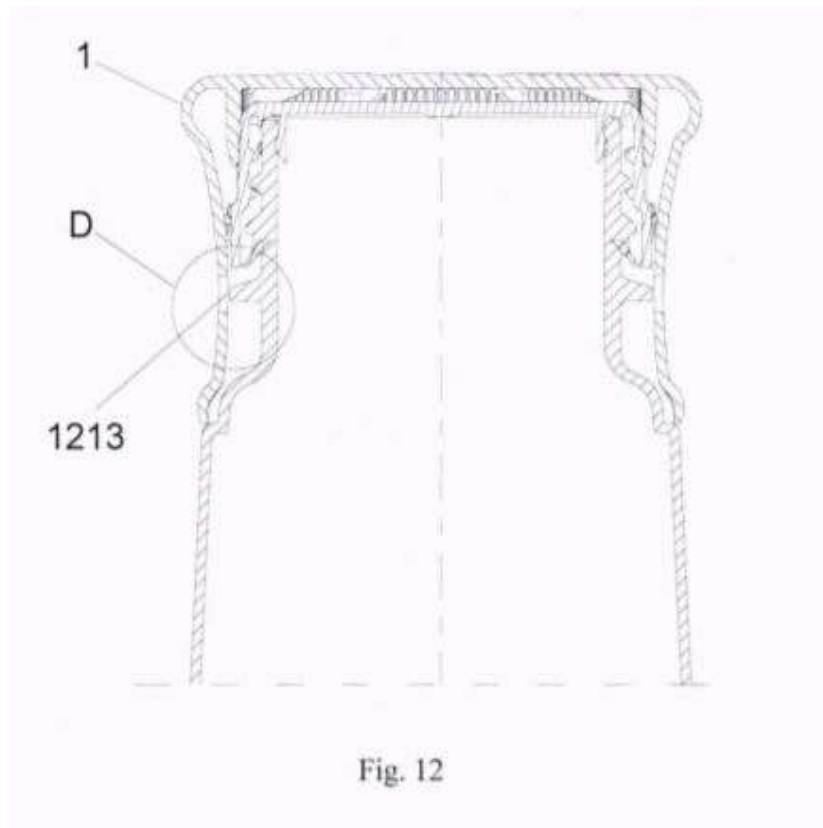
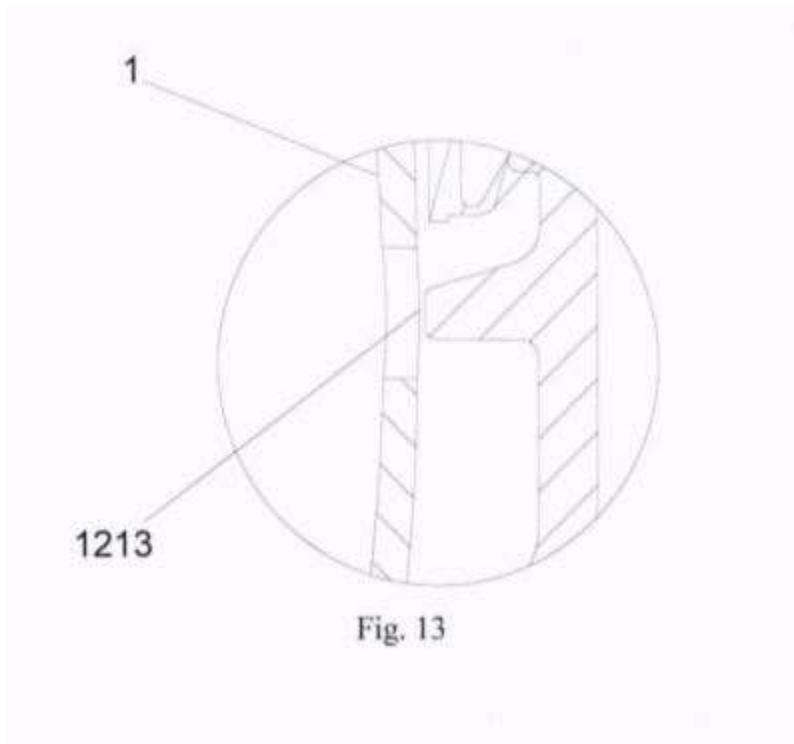


Fig. 12



- (11) No. 79
- (21) PP 79
- (22) 20/08/2021
- (30)
- (43) 28/10/2022
- (51) Int.Cl. A 47K 10/36(2006.01)
- (54) TOILET PAPER HOLDER
- (57) Provided is a toilet paper holder that makes it possible to tear off the desired length of toilet paper using one hand, and for the toilet paper to be held on the surface side of a cover pan after tearing occurs. A cover part 12 for covering the circumferential surface of toilet paper 40 is equipped with a pull-out section 14 through which the paper leading end section 40a is pulled out to the surface side of the cover part 12, a cutter part 15 for tearing the pulled-out toilet paper, and a guide part positioned between the pull-out section 14 and the cutter part 15, wherein the guide part is formed in a manner such that the paper leading end section 40a that pulls back in response to the tearing maintains a sufficient length so as to be held on the surface side of the cover part 12.
- (71) CORELEX SHIN-EI CO., LTD.
575-1, Nakanogo, Fuji-shi, Shizuoka 4213306 (JP), Japan.
- (72) KUROSAKI Satoshi.
- (74) Tilleke & Gibbins International Ltd.
- (55)

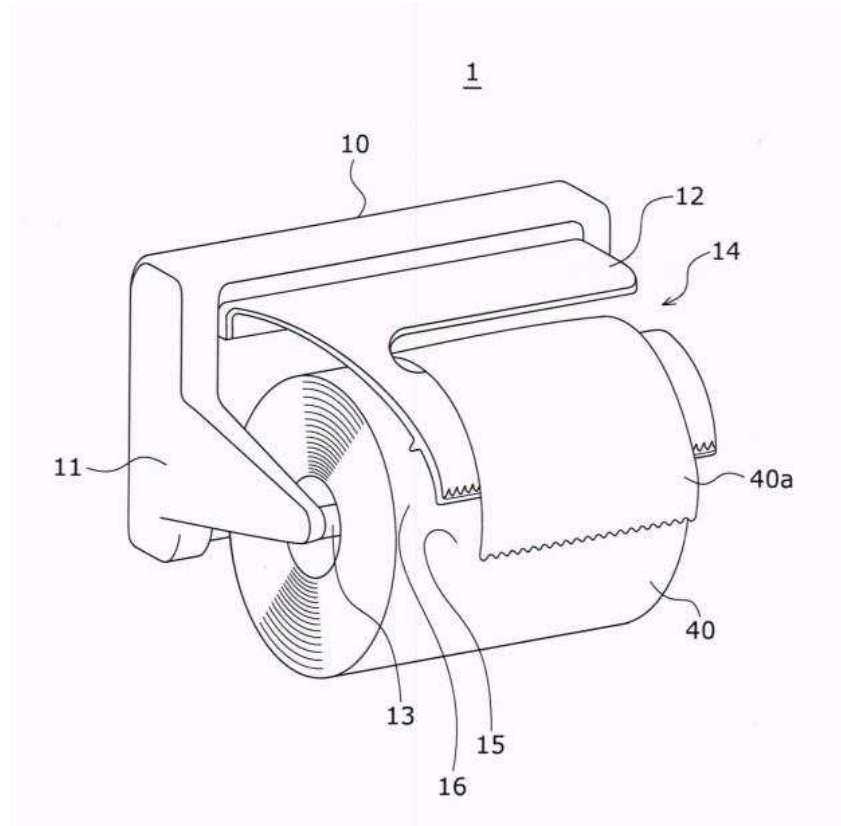


FIG.2(A)

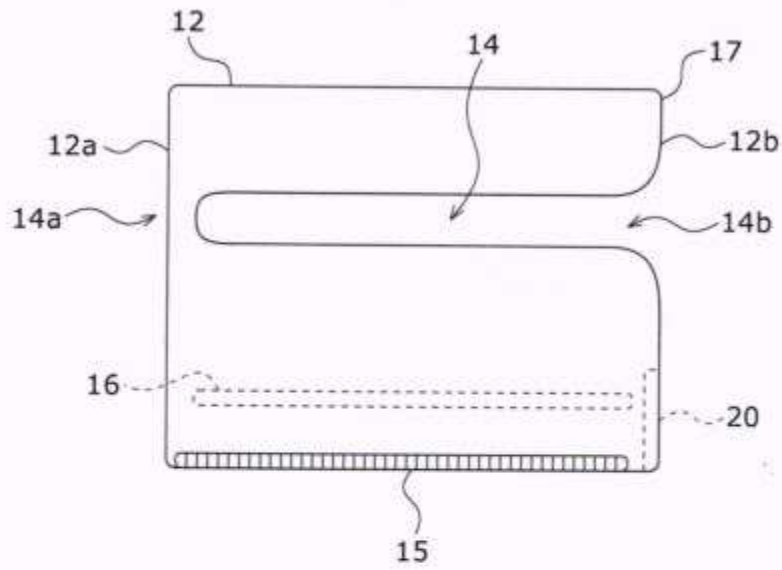
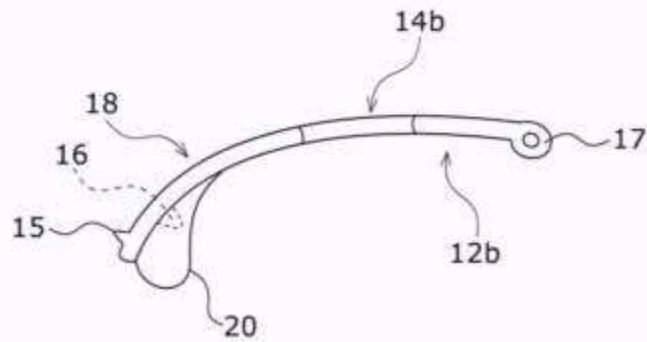
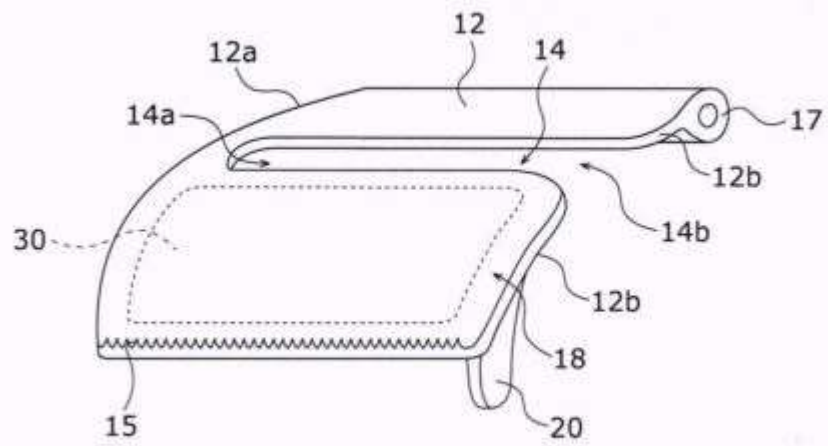
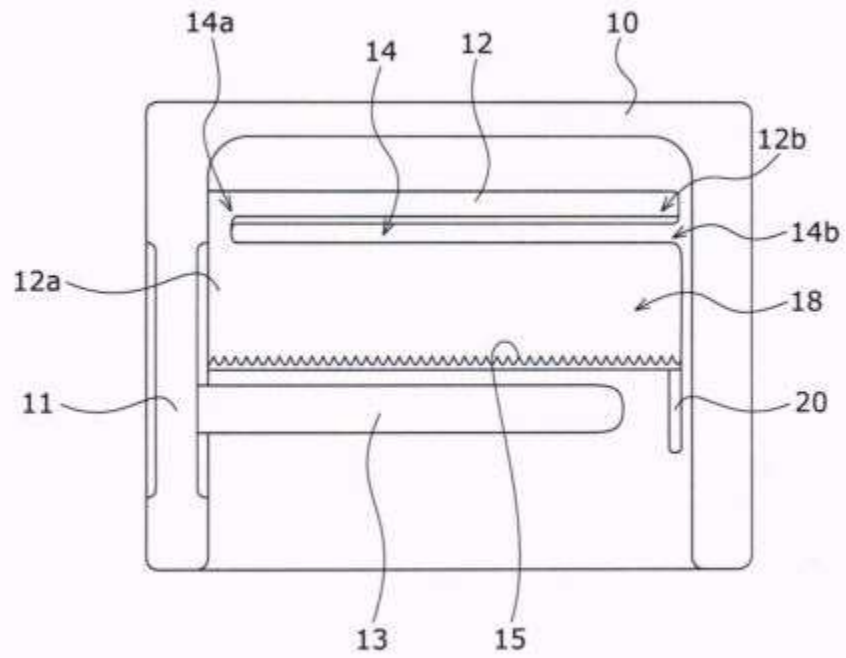


FIG.2(B)





ພາກທີ I

(Part I)

**ສິດທິບັດ ແລະ ອະນຸສິດທິບັດ
(Patent and Petty Patent)**

**3. ການປ່ຽນແປງ
(Changes)**

ພາກທີ I

(Part I)

**ສິດທິບັດ ແລະ ອະນຸສິດທິບັດ
(Patent and Petty Patent)**

4. ການດັດແກ້

(Amendments)

ພາກທີ II
(Part II)
ແບບອຸດສາຫະກຳ
(Industrial Design)

1. ຄຳຮ້ອງ
(Applications)

ຄຳອະທິບາຍກ່ຽວກັບລະຫັດຫຍໍ້
(Introduction of Codes)

- (21) ເລກທີ ຄຳຮ້ອງ (Filing Number)
- (22) ວັນທີ ຄຳຮ້ອງ (Filing Date)
- (30) ວັນທີ ບຸລິມາສິດ (Priority Date)
- (51) ໝວດ (Locarno Classification)
- (54) ຊື່ຂອງແບບອຸດສາຫະກຳ (Title)
- (71) ຊື່ ແລະ ທີ່ຢູ່ ຂອງເຈົ້າຂອງ (Owner Name and Address)
- (72) ຊື່ຜູ້ອອກແບບ (Designer Name)
- (74) ຊື່ຕົວແທນ (Representative Name)
- (55) ຮູບພາບ (Pictures)

ພາກທີ II
(Part II)
ແບບອຸດສາຫະກຳ
(Industrial Design)

2. ຜົນການຈົດທະບຽນ
(Registration)

ຄຳອະທິບາຍກ່ຽວກັບລະຫັດຫຍໍ້
(Introduction of Codes)

- (11) ເລກທີ ຈົດທະບຽນ (Registration Number)
- (15) ວັນທີ ຈົດທະບຽນ (Registration Date)
- (21) ເລກທີ ຍືນຄຳຮ້ອງ (Filing Number)
- (22) ວັນທີ ຍືນຄຳຮ້ອງ (Filing Date)
- (30) ວັນທີ ບຸລິມາສິດ (Priority Date)
- (17) ວັນທີ ໝົດອາຍຸ (Expiration Date)
- (51) ໝວດ (Locarno Classification)
- (54) ຊື່ຂອງແບບອຸດສາຫະກຳ (Title)
- (71) ຊື່ ແລະ ທີ່ຢູ່ ຂອງເຈົ້າຂອງ (Owner Name and Address)
- (72) ຊື່ຜູ້ອອກແບບ (Designer Name)
- (74) ຊື່ຕົວແທນ (Representative Name)
- (55) ຮູບພາບ (Pictures)

ພາກທີ II
(Part II)
ແບບອຸດສາຫະກຳ
(Industrial Design)

3. ການປ່ຽນແປງ
(Changes)

ພາກທີ II
(Part II)

ແບບອຸດສາຫະກຳ
(Industrial Design)

4. ການດັດແກ້
(Amendments)

ພາກທີ III
(Part III)
ເຄື່ອງໝາຍການຄ້າ
Trademarks

1. ຄໍາຮ້ອງ
(Applications)

ຄໍາອະທິບາຍກ່ຽວກັບລະຫັດຫຍໍ້
(Introduction of Codes)

- (540) ເຄື່ອງໝາຍການຄ້າ (Trademark)
- (511) ໝວດ (Nice Classification)
- (210) ເລກທີ ຄໍາຮ້ອງ (Number of the application)
- (220) ວັນທີ ຄໍາຮ້ອງ (Date of filing of the application)
- (732) ຊື່ ແລະ ທີ່ຢູ່ ຂອງຜູ້ຍື່ນຄໍາຮ້ອງ (Name and Address of applicant)

ພາກທີ III

(Part III)

ເຄື່ອງໝາຍການຄ້າ

Trademarks

2. ຜົນການຈົດທະບຽນ

(Registration)

ຄຳອະທິບາຍກ່ຽວກັບລະຫັດຫຍໍ້

(Introduction of Codes)

- (540) ເຄື່ອງໝາຍການຄ້າ (Trademark)
- (511) ໝວດ (Nice Classification)
- (210) ເລກທີ ຄຳຮ້ອງ (Number of the application)
- (220) ວັນທີ ຄຳຮ້ອງ (Date of filing of the application)
- (732) ຊື່ ແລະ ທີ່ຢູ່ ຂອງຜູ້ຍື່ນຄຳຮ້ອງ (Name and Address of applicant)
- (111) ເລກທີ ການຈົດທະບຽນເຄື່ອງໝາຍການຄ້າ (Number of the registration)
- (180) ວັນໝົດອາຍຸຂອງການຈົດທະບຽນ (Expiration date of the registration)

(540)

BLONDINA

(511) 30

(210) No. 46762

(220) 28/02/2022

(732) INTERNATIONAL FOODSTUFFS CO. LLC

AL-WAHDA STREET, INDUSTRIAL

AREA N0.1, P.O. BOX 4115, SHARJAH,

UNITED ARAB EMIRATES.

(111) No. 55400

(180) 28/02/2032

ພາກທີ III
(Part III)
ເຄື່ອງໝາຍການຄ້າ
Trademarks

3. ການຕໍ່ອາຍຸ
(Renewal)

ຄຳອະທິບາຍກ່ຽວກັບລະຫັດຫຍໍ້
(Introduction of Codes)

- (540) ເຄື່ອງໝາຍການຄ້າ (Trademark)
- (511) ໝວດ (Nice Classification)
- (210) ເລກທີ ຄຳຮ້ອງ (Number of the application)
- (220) ວັນທີ ຄຳຮ້ອງ (Date of filing of the application)
- (732) ຊື່ ແລະ ທີ່ຢູ່ ຂອງຜູ້ຍື່ນຄຳຮ້ອງ (Name and Address of applicant)
- (111) ເລກທີການຈັດທະບຽນເຄື່ອງໝາຍການຄ້າ (Number of the registration)
- (180) ການຕໍ່ອາຍຸການຈັດທະບຽນ (Expiration date of the renewal)

(540) Renewal



(511) 35

(210) No. 9440

(220) 07/06/2002

(732) Amata Corporation Public Company Limited

1st Floor Kromadit Bldg., 2126 New

Petchburi Road, Bangkok, Huay Kwang,

Bangkok 10320, Thailand

(111) No. 8970

(180) 07/06/2032

(540) Renewal



(511) 36

(210) No. 9441

(220) 07/06/2002

(732) AMATA CORPORATION PUBLIC

COMPANY LIMITED

1ST FLOOR KROMADIT BLDG., 2126

NEW PETCHBURI ROAD, BANGKAPI,

HUAY KWANG, BANGKOK 10320,

THAILAND

(111) No. 8971

(180) 07/06/2032

(540) Renewal



(511) 39

(210) No. 9444

(220) 07/06/2002

(732) AMATA CORPORATION PUBLIC
COMPANY LIMITED

1ST FLOOR KROMADIT BLDG., 2126
NEW PETCHBURI ROAD, BANGKAPI,
HUAY KWANG, BANGKOK 10320,
THAILAND

(111) No. 8974

(180) 07/06/2032

(540) Renewal



(511) 41

(210) No. 9446

(220) 07/06/2002

(732) AMATA CORPORATION PUBLIC
COMPANY LIMITED

1ST FLOOR KROMADIT BLDG., 2126
NEW PETCHBURI ROAD, BANGKAPI,
HUAY KWANG, BANGKOK 10320,
THAILAND,

(111) No. 8976

(180) 07/06/2032

(540) Renewal



(511) 42

(210) No. 9447

(220) 07/06/2002

(732) AMATA CORPORATION PUBLIC
COMPANY LIMITED

1ST FLOOR KROMADIT BLDG., 2126
NEW PETCHBURI ROAD, BANGKAPI,
HUAY KWANG, BANGKOK 10320,
THAILAND

(111) No. 8977

(180) 07/06/2032

(540) Renewal



(511) 43

(210) No. 9448

(220) 07/06/2002

(732) AMATA CORPORATION PUBLIC
COMPANY LIMITED

1ST FLOOR KROMADIT BLDG., 2126
NEW PETCHBURI ROAD, BANGKAPI,
HUAY KWANG, BANGKOK 10320,
THAILAND

(111) No. 8978

(180) 07/06/2032

(540) Renewal



(511) 45

(210) No. 9450

(220) 07/06/2002

(732) AMATA CORPORATION PUBLIC

COMPANY LIMITED

1ST FLOOR KROMADIT BLDG., 2126

NEW PETCHBURI ROAD, BANGKAPI,

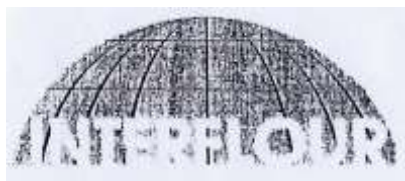
HUAY KWANG, BANGKOK 10320,

THAILAND

(111) No. 8980

(180) 07/06/2032

(540) Renewal



(511) 30

(210) No. 9476

(220) 20/06/2002

(732) INTERFLOUR HOLDINGS LIMITED

, Craigmuir Chambers, P.o. Box 71, Road

Town, Tortola, Virgin Islands (British)

(111) No. 9006

(180) 28/10/2042

(540) Renewal

SHERA

(511) 06

(210) No. 26184

(220) 10/04/2012

(732) Shera Public Company Limited

2426/3, Charoenkrung Road, Bangkorlhaem

Sub-District, Bangkorlhaem District,

Bangkok 10120, Thailand

(111) No. 25489

(180) 08/10/2032

(540) Renewal

SHERA

(511) 19

(210) No. 26185

(220) 10/04/2012

(732) Shera Public Company Limited

2426/3, Charoenkrung Road, Bangkorlhaem

Sub-District, Bangkorlhaem District,

Bangkok 10120, Thailand

(111) No. 25490

(180) 08/10/2032

ພາກທີ III

(Part III)

ເຄື່ອງໝາຍການຄ້າ

Trademarks

4. ການປ່ຽນແປງ

(Changes)

ພາກທີ III
(Part III)
ເຄື່ອງໝາຍການຄ້າ
Trademarks

5. ການດັດແກ້
(Amendments)

ພາກທີ IV

(Part IV)

ເຄື່ອງໝາຍການຄ້າຜ່ານລະບົບມາດຣິດ

Trademarks via Madrid Protocol

1. ຄໍາຮ້ອງ

(Applications)

ຄໍາອະທິບາຍກ່ຽວກັບລະຫັດຫຍໍ້ (Introduction of Codes)

- (540) ເຄື່ອງໝາຍການຄ້າ (Trademark)
- (511) ໝວດ (Nice Classification)
- (210) ເລກທີ ຄໍາຮ້ອງ (Number of the application)
- (220) ວັນທີ ຄໍາຮ້ອງ (Date of filing of the application)
- (732) ຊື່ ແລະ ທີ່ຢູ່ ຂອງຜູ້ຍື່ນຄໍາຮ້ອງ (Name and Address of applicant)

(540)

DIPTYQUE

(511) 03, 04 and 35

(210) No. M/0870198

(220) 29/09/2022

(732) DIPTYQUE S.A.S.

34, boulevard Saint-Germain F-75005

PARIS, France

(540)

 **YINGKE**

(511) 16, 41 and 45

(210) No. M/1119633

(220) 25/09/2022

(732) BEIJING YING TIAN KE DI

INTELLECTUAL PROPERTY RIGHTS

AGENCY CO., LTD.

Room C502, Tower C, No. 76, East 4th Ring

Middle Road, Chaoyang District Beijing,

China

(540)



(511) 03 and 04

(210) No. M/1525801

(220) 30/09/2022

(732) DIPTYQUE S.A.S.

34 boulevard Saint Germain F-75005 Paris,
France

(540)

AUGUDA

(511) 30, 32 and 43

(210) No. M/1676921

(220) 23/08/2022

(732) DOSTA JOINT STOCK COMPANY

No. 56 Nguyen Dinh Chieu Street, Da Kao
Ward, District 1 Ho Chi Minh City, Vietnam

(540)

Burning Hit

(511) 09, 28 and 41

(210) No. M/1690018

(220) 19/05/2022

(732) Euro Games Technology Ltd.

“Maritsa” Str. 4, “Vranya-Lozen-Triugulnika”

BG-1151 Sofia, Bulgaria

(540)

MISS SELFRIDGE

(511) 03, 08, 09, 14, 16, 18, 23, 24, 25, 26, 28, 35,
36, 41, 44 and 45

(210) No. M/1690036

(220) 02/03/2022

(732) ASOS HOLDINGS LIMITED

Greater London House, Hampstead Road

London NW1 7FB, United Kingdom

(540)



(511) 05

(210) No. M/1690046

(220) 13/09/2022

(732) RX Inc.

#339, 10F, 704, Seolleung-ro, Gangnam-gu
Seoul 06069, Republic of Korea

(540)

维刻

(511) 34

(210) No. M/1690180

(220) 15/09/2022

(732) VEEX Technology (Shenzhen) Co., Ltd.

3901 tower a, phase III, North District,
Yifang center, 99 Xihu Road, N12 District,
Haiwang community, Xin'an street, Bao'an
District, Shenzhen City 518000 Guangdong
Province, China

(540)



(511) 03

(210) No. M/1690194

(220) 23/08/2022

(732) Yiwu Xingpai Cosmetics co., Ltd
Niansanli Yidong Industrial Zone, Yiwu City
Zhejiang Province, China

(540)



(511) 03, 10 and 18

(210) No. M/1690204

(220) 20/09/2022

(732) YIFAR INDUSTRIAL AND TRADING
(FUZHOU) CO., LTD
NO.5002, 5th Building, No.130 Jinda Road,
Jianxin Town, Cangshan District, Fuzhou
City Fujian Province, China

(540)

Dyzoe

(511) 07 and 11

(210) No. M/1690270

(220) 09/06/2022

(732) HANGZHOU ROBAM APPLIANCES CO.,
LTD.

NO.592, LINPING AVENUE, YUHANG
ECONOMIC DEVELOPMENT ZONE
ZHEJIANG PROVINCE, CHINA

(540)

**APPLE WATCH
ULTRA**

(511) 14

(210) No. M/1690423

(220) 19/09/2022

(732) Apple Inc.

One Apple Park Way Cupertino CA 95014,
United States of America

(540)

TOPMAN

(511) 03, 08, 09, 14, 16, 18, 23, 24, 25, 26, 28, 35,
36, 41, 44 and 45

(210) No. M/1690518

(220) 02/03/2022

(732) ASOS HOLDINGS LIMITED

Greater London House, Hampstead Road
London NW1 7FB, United Kingdom

(540)

Howansem
好安森

(511) 10

(210) No. M/1690564

(220) 23/08/2022

(732) Shenzhen Shande Medical Technology Co.,
Ltd.

602, Building D3, TCL Science Park, 1001
Zhongshanyuan Road, Shuguang Shequ, Xili
Jiedao, Nanshan District, Shenzhen City
Guangdong Province, China

(540)

TESSERACTION

(511) 11

(210) No. M/1690715

(220) 22/08/2022

(732) Midea Group Co., Ltd.

B26-28F, Midea Headquarter Building, No.6

Midea Avenue, Beijiao, Shunde, Foshan

Guangdong, China

(540)

CMA CGM AIR CARGO

(511) 12, 37 and 39

(210) No. M/1690765

(220) 31/08/2022

(732) CMA CGM

4 Quai d'Arenc F-13002 Marseille, France

(540)

DYNAMIC ISLAND

(511) 09

(210) No. M/1690846

(220) 14/09/2022

(732) Apple Inc.

One Apple Park Way Cupertino CA 95014,
United States of America

(540)

MAYC

(511) 09, 14, 16, 18, 24, 25, 27, 28, 32, 33, 35, 36,
38, 41, 42, 43 and 45

(210) No. M/1690936

(220) 15/03/2022

(732) Yuga Labs, Inc.

1430 S. Dixie Hwy, Ste. 105 1075 Coral
Gables FL 33146, United States of America

(540)

**BORED APE
YACHT CLUB**

(511) 09, 14, 16, 18, 24, 25, 27, 28, 32, 33, 35, 36,
38, 41, 42, 43 and 45

(210) No. M/1690939

(220) 15/03/2022

(732) Yuga Labs, Inc.

1430 S. Dixie Hwy, Ste. 105 1075 Coral
Gables FL 33146, United States of America

(540)

BAYC

(511) 09, 14, 16, 18, 24, 25, 27, 28, 32, 33, 35, 36,
38, 41, 42, 43 and 45

(210) No. M/1690941

(220) 15/03/2022

(732) Yuga Labs, Inc.

1430 S. Dixie Hwy, Ste. 105 1075 Coral
Gables FL 33146, United States of America

(540)

**MUTANT APE
YACHT CLUB**

(511) 09, 14, 16, 18, 24, 25, 27, 28, 32, 33, 35, 36,
38, 41, 42, 43 and 45

(210) No. M/1690942

(220) 15/03/2022

(732) Yuga Labs, Inc.

1430 S. Dixie Hwy, Ste. 105 1075 Coral
Gables FL 33146, United States of America

(540)

**BORED APE
KENNEL CLUB**

(511) 09, 14, 16, 18, 24, 25, 27, 28, 32, 33, 35, 36,
38, 41, 42, 43 and 45

(210) No. M/1690943

(220) 15/03/2022

(732) Yuga Labs, Inc.

1430 S. Dixie Hwy, Ste. 105 1075 Coral
Gables FL 33146, United States of America

(540)

BAKC

(511) 09, 14, 16, 18, 24, 25, 27, 28, 32, 33, 35, 36,
38, 41, 42, 43 and 45

(210) No. M/1690947

(220) 15/03/2022

(732) Yuga Labs, Inc.

1430 S. Dixie Hwy, Ste. 105 1075 Coral
Gables FL 33146, United States of America

(540)

 **LS** e-Mobility Solutions

(511) 09

(210) No. M/1691104

(220) 04/08/2022

(732) LS Corp.

92, Hangang-daero, Yongsan-gu Seoul,
Republic of Korea

(540)

Foast

(511) 12

(210) No. M/1691222

(220) 22/08/2022

(732) Shaanxi Fast Gear Co., Ltd

The Northwest Corner of The Intersection of
Daqing Road West Section and Zaoyuan
South Road, Lianhu District, Xi'an City
710000 Shaanxi Province, China

(540)

Lucky Hit

(511) 09, 28 and 41

(210) No. M/1691227

(220) 19/05/2022

(732) Euro Games Technology Ltd.

"Maritsa" Str. 4, "Vranya-Lozen-Triugulnika"
BG-1151 Sofia, Bulgaria

(540)

PAPILLA

(511) 03, 05 and 44

(210) No. M/1691266

(220) 28/06/2022

(732) KLHEALTH PTE. LTD.

435 ORCHARD ROAD, #11-00 WISMA
ATRIA 238877, SINGAPORE

(540)



(511) 12

(210) No. M/1691271

(220) 22/08/2022

(732) Shaanxi Fast Gear Co., Ltd

The Northwest Corner of The Intersection of
Daqing Road West Section and Zaoyuan
South Road, Lianhu District, Xi'an City
Shaanxi Province, China

(540)

THE SHILLA

(511) 35

(210) No. M/1691319

(220) 08/09/2022

(732) Hotel Shilla Co., LTD.

249, Dongho-ro, Jung-gu Seoul 04605,
Republic of Korea

(540)

Kia

(511) 10

(210) No. M/1691320

(220) 19/09/2022

(732) Kia Corporation

12, Heolleung-ro, Seocho-gu Seoul 06797,
Republic of Korea

(540)

Kia

(511) 25

(210) No. M/1691321

(220) 19/09/2022

(732) Kia Corporation

12, Heolleung-ro, Seocho-gu Seoul 06797,
Republic of Korea

(540)

Kia

(511) 36

(210) No. M/1691322

(220) 19/09/2022

(732) Kia Corporation

12, Heolleung-ro, Seocho-gu Seoul 06797,
Republic of Korea

(540)

Kia

(511) 37

(210) No. M/1691323

(220) 19/09/2022

(732) Kia Corporation

12, Heolleung-ro, Seocho-gu Seoul 06797,
Republic of Korea

(540)

HAN

(511) 12

(210) No. M/1691335

(220) 06/09/2022

(732) BYD COMPANY LIMITED

No. 1, Yan'an Road, Kuichong Street, Dapeng
New District 518000 Shenzhen, China

(540)

TANG

(511) 12

(210) No. M/1691339

(220) 06/09/2022

(732) BYD COMPANY LIMITED

No. 1, Yan'an Road, Kuichong Street, Dapeng
New District 518000 Shenzhen, China

(540)



(511) 07, 09, 11, 35 and 42

(210) No. M/1691491

(220) 23/03/2022

(732) Midea Group Co., Ltd.

B26-28F, Midea Headquarter Building, No.6
Midea Avenue, Beijiao, Shunde, Foshan
Guangdong, China

ພາກທີ IV

(Part IV)

ເຄື່ອງໝາຍການຄ້າຜ່ານລະບົບມາດຣິດ

Trademarks via Madrid Protocol

2. ຜົນການຈົດທະບຽນ

(Registration)

ຄຳອະທິບາຍກ່ຽວກັບລະຫັດຫຍໍ້

(Introduction of Codes)

- (540) ເຄື່ອງໝາຍການຄ້າ (Trademark)
- (511) ໝວດ (Nice Classification)
- (210) ເລກທີ ຄຳຮ້ອງ (Number of the application)
- (220) ວັນທີ ຍື່ນຄຳຮ້ອງ (Date of filing of the application)
- (732) ຊື່ ແລະ ທີ່ຢູ່ ຂອງຜູ້ຍື່ນຄຳຮ້ອງ (Name and Address of applicant)
- (111) ເລກທີການຈົດທະບຽນເຄື່ອງໝາຍການຄ້າ (Number of the registration)
- (180) ວັນໝົດອາຍຸຂອງການຈົດທະບຽນ (Expiration date of the registration)

ພາກທີ IV

(Part IV)

ເຄື່ອງໝາຍການຄ້າຜ່ານລະບົບມາດຣິດ

Trademarks via Madrid Protocol

3. ຜົນການຕໍ່ອາຍຸ

(Renewal)

ຄຳອະທິບາຍກ່ຽວກັບລະຫັດຫຍໍ້

(Introduction of Codes)

- (540) ເຄື່ອງໝາຍການຄ້າ (Trademark)
- (511) ໝວດ (Nice Classification)
- (210) ເລກທີ ຄຳຮ້ອງ (Number of the application)
- (220) ວັນທີ ຍື່ນຄຳຮ້ອງ (Date of filing of the application)
- (732) ຊື່ ແລະ ທີ່ຢູ່ ຂອງຜູ້ຍື່ນຄຳຮ້ອງ (Name and Address of applicant)
- (111) ເລກທີການຈົດທະບຽນເຄື່ອງໝາຍການຄ້າ (Number of the registration)
- (180) ການຕໍ່ອາຍຸຂອງການຈົດທະບຽນ (Expiration date of the renewal)

ພາກທີ IV

(Part IV)

ເຄື່ອງໝາຍການຄ້າຜ່ານລະບົບມາດຣິດ

Trademarks via Madrid Protocol

4. ການປ່ຽນແປງ

(Changes)

ພາກທີ IV

(Part IV)

ເຄື່ອງໝາຍການຄ້າຜ່ານລະບົບມາດຣິດ

Trademarks via Madrid Protocol

5. ການດັດແກ້

(Amendments)

ພາກທີ V
(Part V)
ຖິ່ນກຳເນີດ
Geographical Indications

1. ຄຳຮ້ອງ
(Applications)

ພາກທີ V
(Part V)
ຖິ່ນກຳເນີດ
Geographical Indications

2. ຜົນການຈົດທະບຽນ
(Registration)

ພາກທີ V

(Part V)

ຖິ່ນກຳເນີດ

Geographical Indications

3. ການປ່ຽນແປງ

(Changes)

ພາກທີ V
(Part V)
ຖິ່ນກຳເນີດ
Geographical Indications

4. ການດັດແກ້
(Amendments)

ພາກທີ VI

(Part VI)

ພັນພືດໃໝ່

New Plant Varieties

1. ຄໍາຮ້ອງ

(Applications)

ພາກທີ VI

(Part VI)

ພັນພືດໃໝ່

New Plant Varieties

2. ຜົນການຈັດທະບຽນ

(Registration)

ພາກທີ VI

(Part VI)

ພັນພືດໃໝ່

New Plant Varieties

3. ການປ່ຽນແປງ

(Changes)

ພາກທີ VI

(Part VI)

ພັນພືດໃໝ່

New Plant Varieties

4. ການດັດແກ້

(Amendments)

ພາກທີ VII

(Part VII)

ລິຂະສິດ ແລະ ສິດກ່ຽວຂ້ອງກັບລິຂະສິດ

Copyrights and Related Rights

1. ການແຈ້ງຂໍ້ມູນ

(Notifications)

ພາກທີ VII

(Part VII)

ລິຂະສິດ ແລະ ສິດກ່ຽວຂ້ອງກັບລິຂະສິດ

Copyrights and Related Rights

2. ການປ່ຽນແປງ

(Changes)

ພາກທີ VIII

(Part VIII)

**ການແກ້ໄຂຂໍ້ຂັດແຍ່ງທາງດ້ານບໍລິຫານກ່ຽວກັບການຈົດທະບຽນຊັບ
ສິນອຸດສາຫະກຳ ແລະ ພັນພືດໃໝ່**

**Administrative Dispute Resolutions on the Registration of
Industrial Property and New Plant Varieties**

1. ຜົນການຄັດຄ້ານຄຳຮ້ອງ

(Result of Oppositions)

ພາກທີ VIII

(Part VIII)

**ການແກ້ໄຂຂໍ້ຂັດແຍ່ງທາງດ້ານບໍລິຫານກ່ຽວກັບການຈັດທະບຽນຊັບ
ສິນອຸດສາຫະກຳ ແລະ ພັນພືດໃໝ່**

**Administrative Dispute Resolutions on the Registration of
Industrial Property and New Plant Varieties**

2. ຜົນການແຈ້ງປະຕິເສດ

(Result of Refusals)

ພາກທີ VIII

(Part VIII)

**ການແກ້ໄຂຂໍ້ຂັດແຍ່ງທາງດ້ານບໍລິຫານກ່ຽວກັບການຈັດທະບຽນຊັບ
ສິນອຸດສາຫະກຳ ແລະ ພັນພືດໃໝ່**

**Administrative Dispute Resolutions on the Registration of
Industrial Property and New Plant Varieties**

**3. ຜົນການຍົກເລີກ ຫຼື ລົບລ້າງ ຂອງການຈັດທະບຽນ
(Result of Cancellation or Invalidation of Registration)**