



ສາທາລະນະລັດ ປະຊາທິປະໄຕ ປະຊາຊົນລາວ
LAO PEOPLE'S DEMOCRATIC REPUBLIC

ກະຊວງ ອຸດສາຫະກຳ ແລະ ການຄ້າ
ກົມຊັບສິນທາງປັນຍາ

MINISTRY OF INDUSTRY AND COMMERCE
DEPARTMENT OF INTELLECTUAL PROPERTY

ຈົດໝາຍເຫດທາງລັດຖະການ
ກ່ຽວກັບ ຊັບສິນທາງປັນຍາ
ຢູ່ ສປປ ລາວ

OFFICIAL GAZETTE ON INTELLECTUAL PROPERTY
IN LAO PDR

ສະບັບທີ (Vol.) 180

ພາກທີ I

(Part I)

ສິດທິບັດ ແລະ ອະນຸສິດທິບັດ (Patent and Petty Patent)

1. ຄໍາຮ້ອງ

(Applications)

ຄໍາອະທິບາຍກ່ຽວກັບລະຫັດຫຍໍ້

(Introduction of Codes)

- (21) ເລກທີ ຄໍາຮ້ອງ (Filing Number)
- (22) ວັນທີ ຍືນຄໍາຮ້ອງ (Filing Date)
- (30) ວັນທີ ບຸລິມະສິດ (Priority Date)
- (43) ວັນທີເຜີຍແຜ່ (Publication Date)
- (51) ໝວດ (International Patent Classification)
- (54) ຊື່ຂອງການປະດິດ (Title)
- (57) ບົດຄັດຫຍໍ້ (Abstract)
- (71) ຊື່ ແລະ ທີ່ຢູ່ ເຈົ້າຂອງສິດທິບັດ ແລະ ອະນຸສິດທິບັດ (Owner Name and Address)
- (72) ຊື່ຜູ້ປະດິດ (Inventor Name)
- (74) ຊື່ຕົວແທນ (Representative Name)
- (55) ຮູບພາບ (Pictures)

ພາກທີ I (Part I)

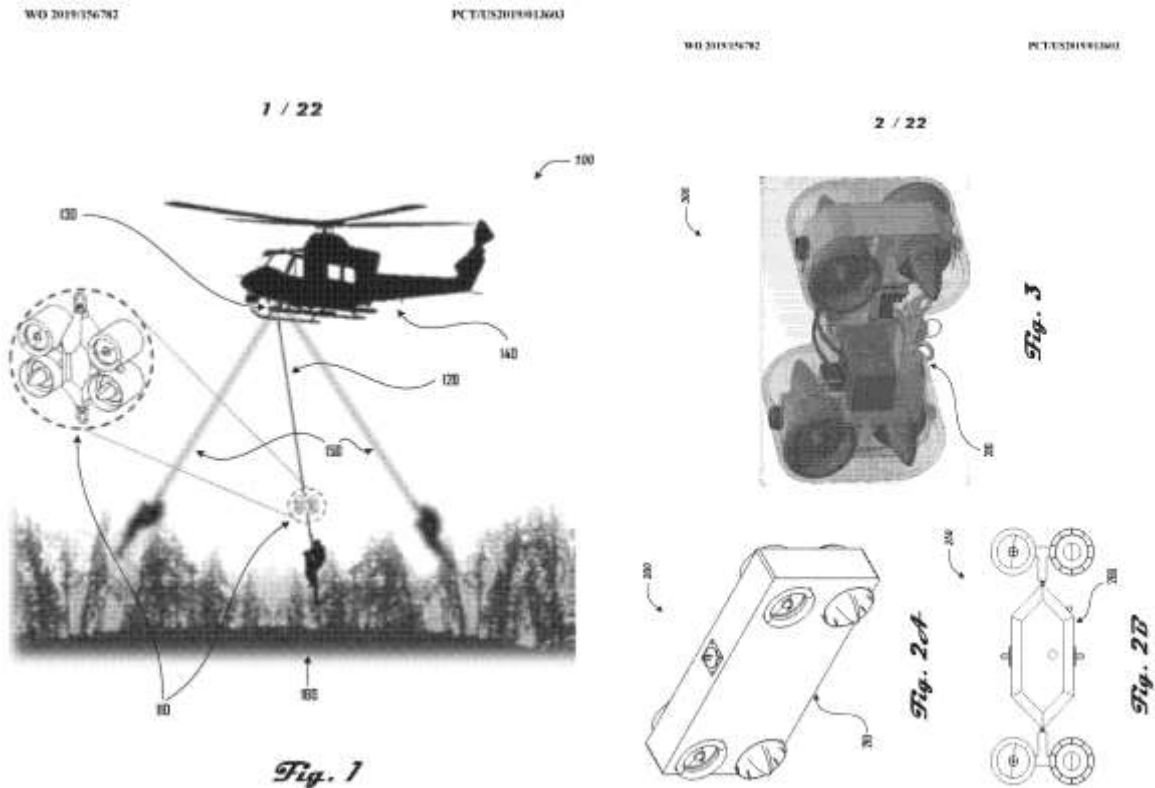
ສິດທິບັດ ແລະ ອະນຸສິດທິບັດ (Patent and Petty Patent)

2. ຜົນການອອກສິດທິບັດ ແລະ ອະນຸສິດທິບັດ (Grant of Patents and Petty Patents)

ຄຳອະທິບາຍກ່ຽວກັບລະຫັດຫຍໍ້ (Introduction of Codes)

- (11) ເລກທິ (Grant Number)
- (21) ເລກທິ ຄຳຮ້ອງ (Filing Number)
- (22) ວັນທີຍືນຄຳຮ້ອງ (Filing Date)
- (30) ວັນທີ ບຸລິມະສິດ (Priority Date)
- (43) ວັນທີເຜີຍແຜ່ (Publication Date)
- (51) ໝວດ (International Patent Classification)
- (54) ຫົວຂໍ້ການປະດິດ (Title)
- (57) ບົດຄັດຫຍໍ້ (Abstract)
- (71) ຊື່ ແລະ ທີ່ຢູ່ ເຈົ້າຂອງສິດທິບັດ ແລະ ອະນຸສິດທິບັດ (Owner Name and Address)
- (72) ຊື່ຜູ້ປະດິດ (Inventor Name)
- (74) ຊື່ຕົວແທນ (Representative Name)
- (55) ຮູບພາບ (Pictures)

- (11) No. 60
- (21) PP 60
- (22) 19/09/2019
- (30) 62/627,920 08/02/2018 US and 62/757,414 08/11/2018 US
- (43)
- (51) Int.Cl. B 66C 13/06(2006.01), B 66C 23/58(2006.01), B 66C 13/46(2006.01)
- (54) SUSPENDED LOAD STABILITY SYSTEMS AND METHODS
- (57) Load stability systems and methods for stabilizing swinging motions of suspended loads. The load stability systems include a fully automated, self-powered device that employs thrust to counteract and control lateral and rotational motion of an external load. The device is a temporary installation on the load, cable, or boom, and is agnostic to the platform from which it is suspended.
- (71) Vita Inclinata Technologies, Inc.
2830 W 32nd Ave., Denver, Colorado 80211, United States of America.
- (72) SIKORA, Derek; CARR, Caleb B. and GOODRICH, Logan.
- (74) Lao Trademark Agency.
- (55)



WO 2019/16782

PCT/US2018/01863

WO 2019/16782

PCT/US2018/01863

3 / 22

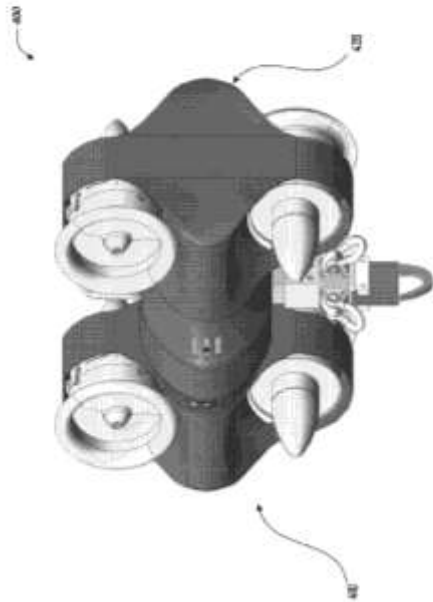


Fig. 4A

4 / 22

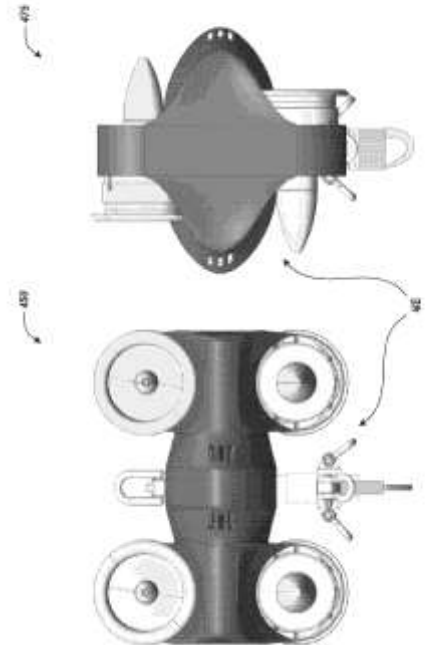


Fig. 4C

Fig. 4B

WO 2019/16782

PCT/US2018/01863

WO 2019/16782

PCT/US2018/01863

5 / 22

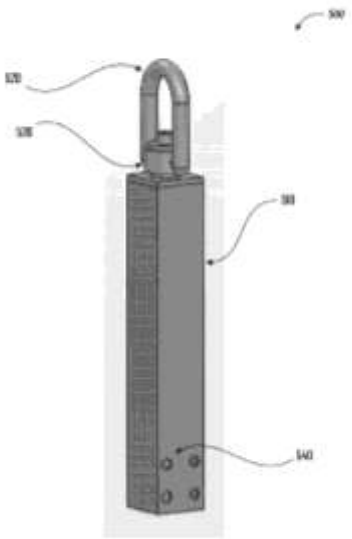


Fig. 5

6 / 22

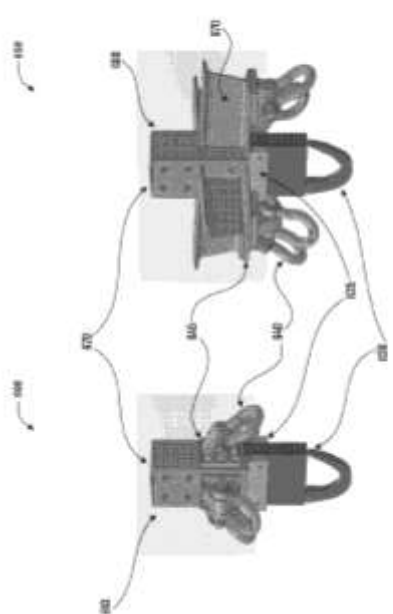
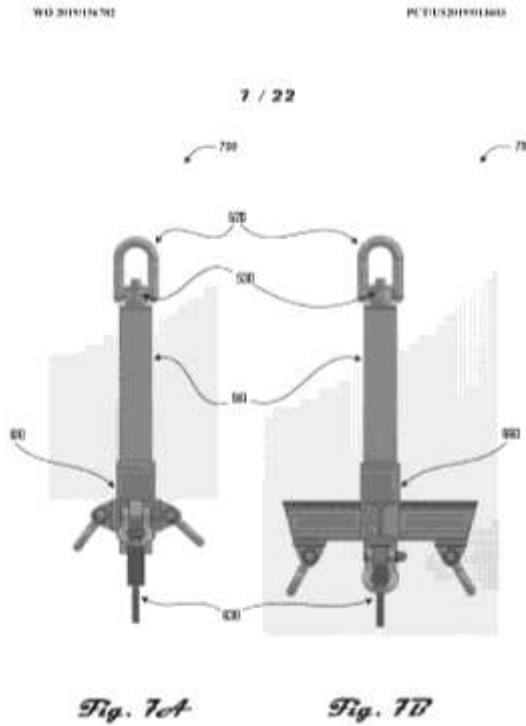


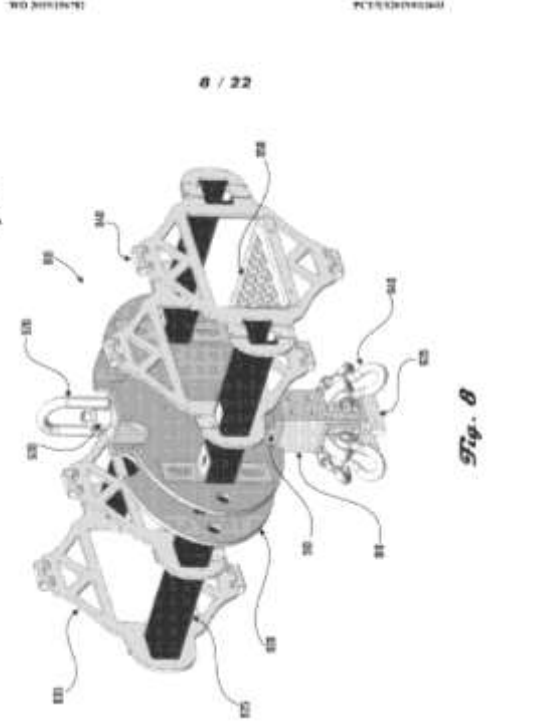
Fig. 6B

Fig. 6A



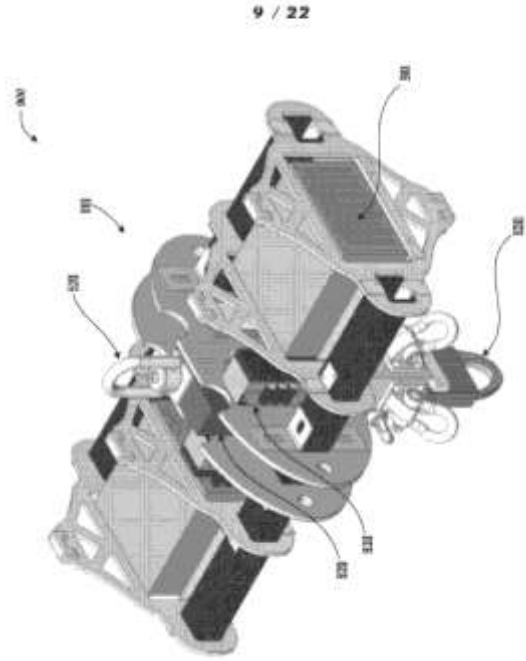
WO 2019/16781

PCT/US2018/01665



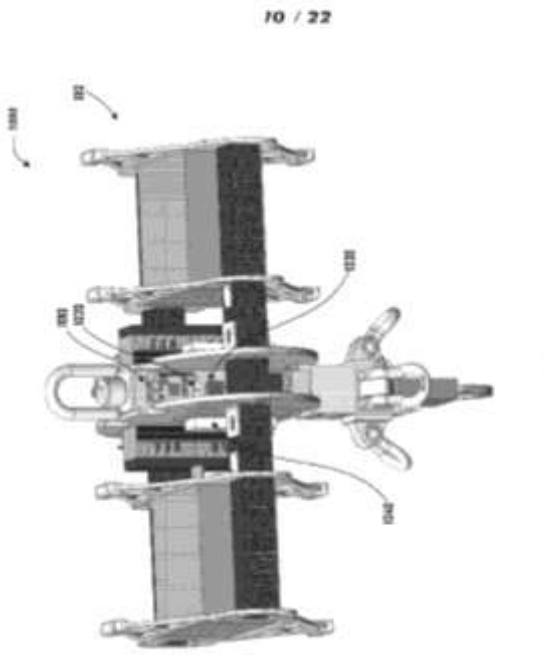
WO 2019/16781

PCT/US2018/01665



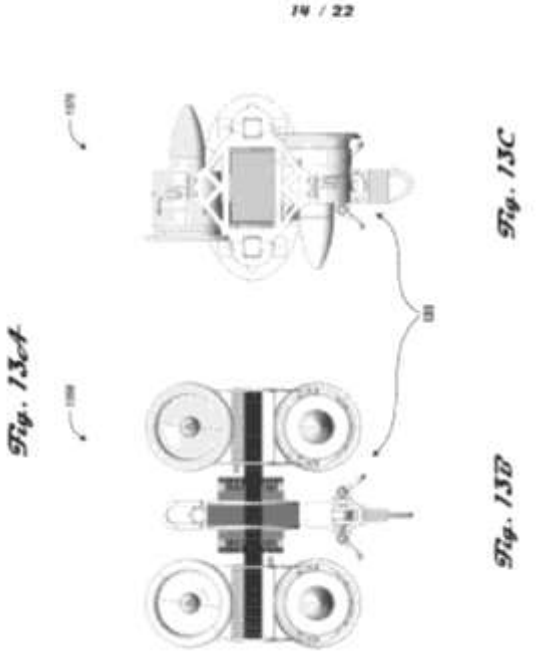
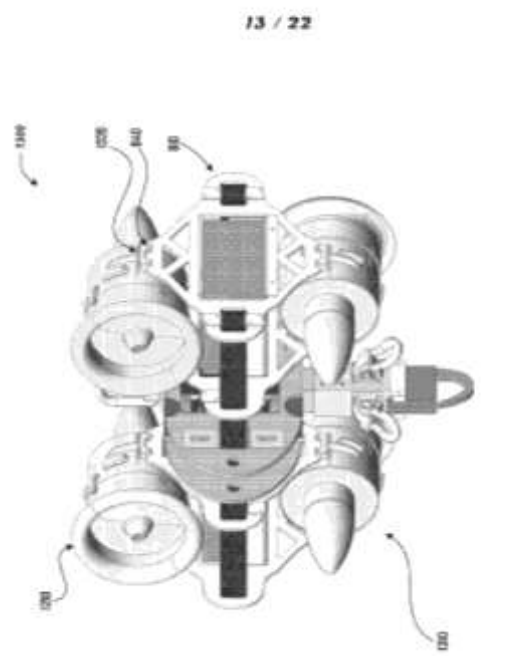
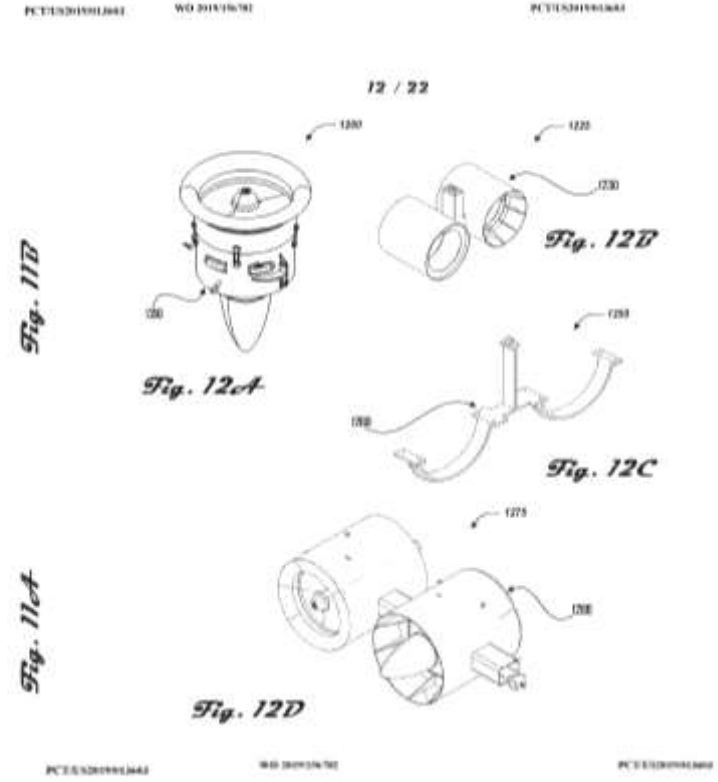
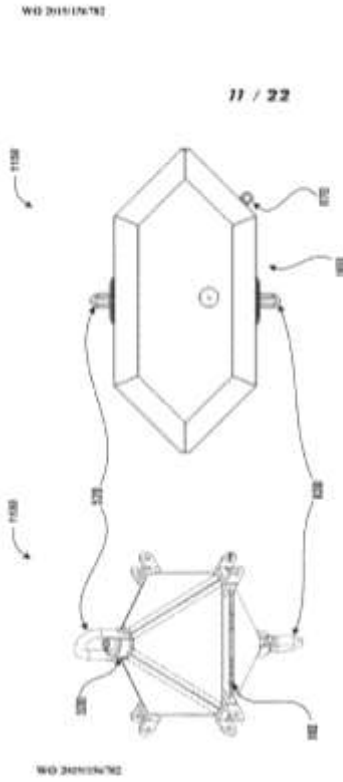
WO 2019/16781

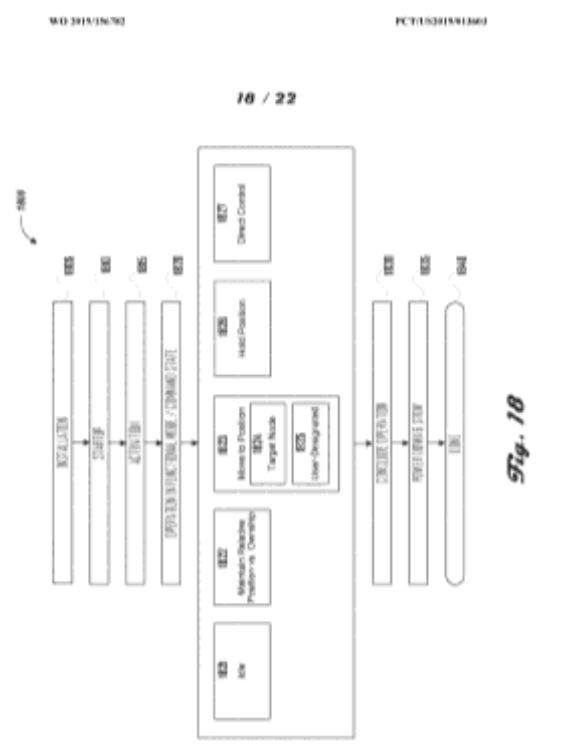
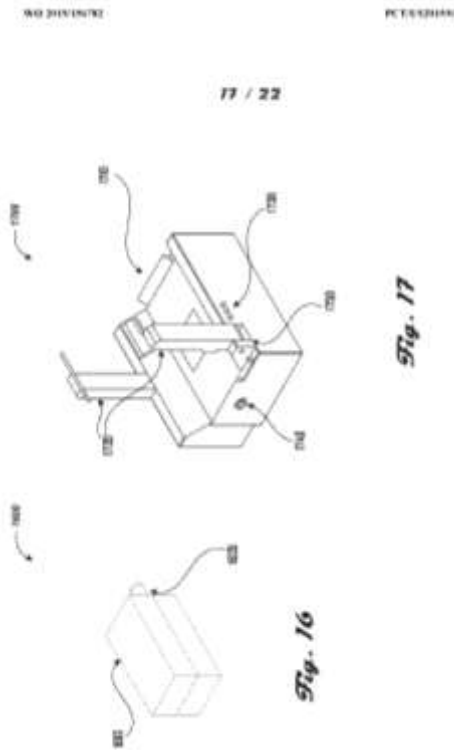
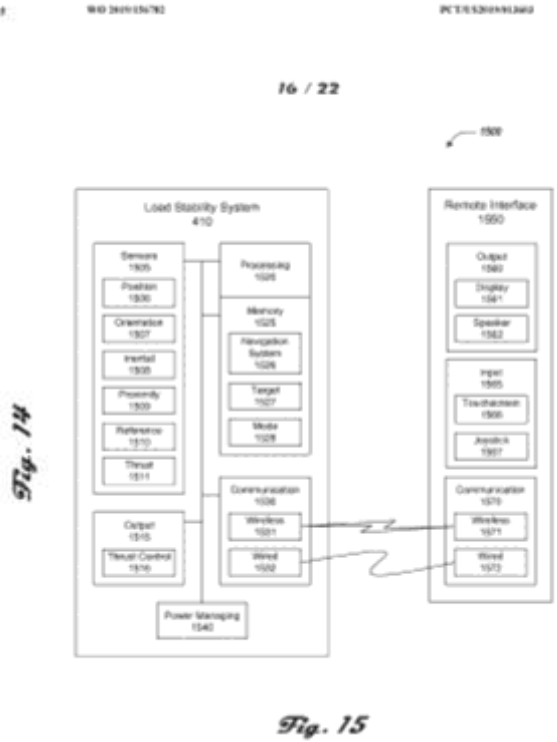
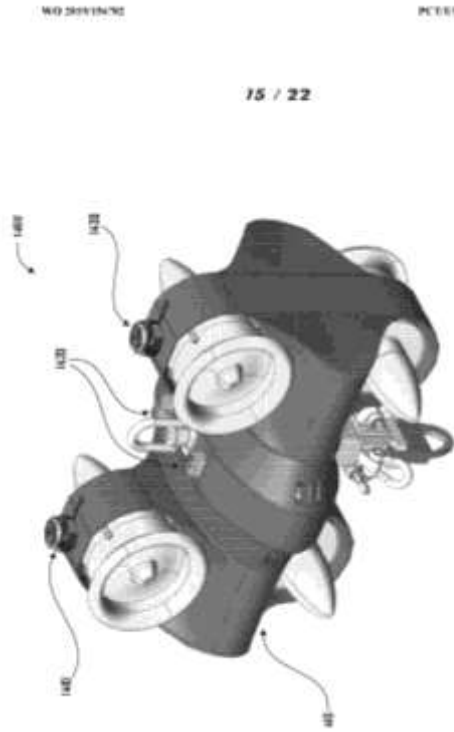
PCT/US2018/01665



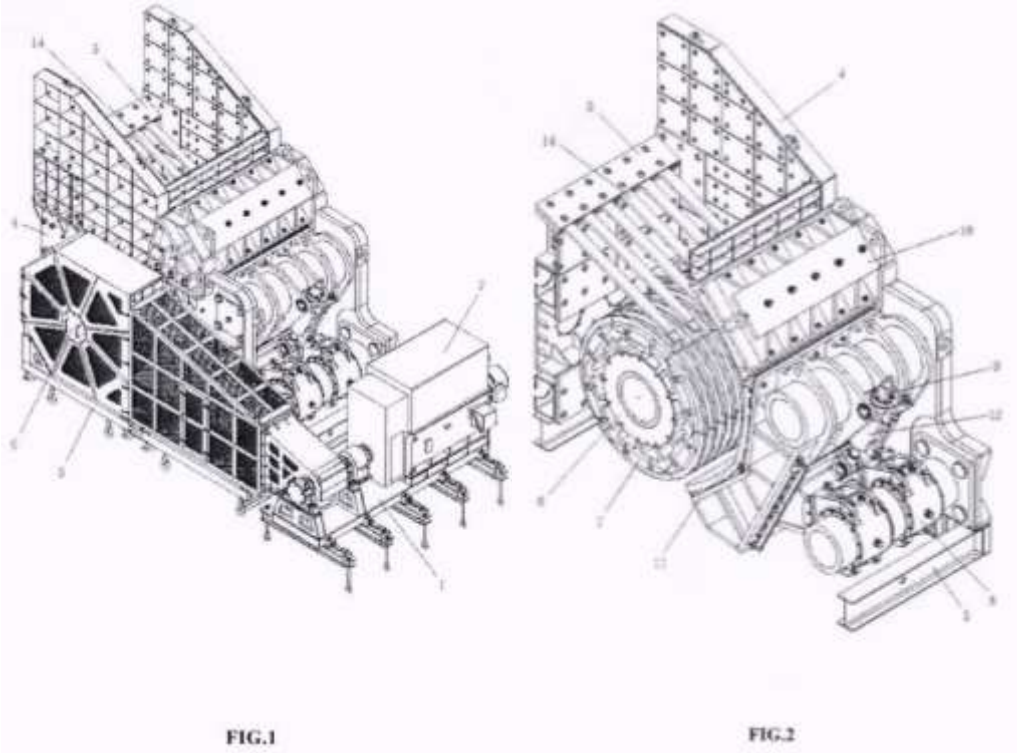
WO 2019/16781

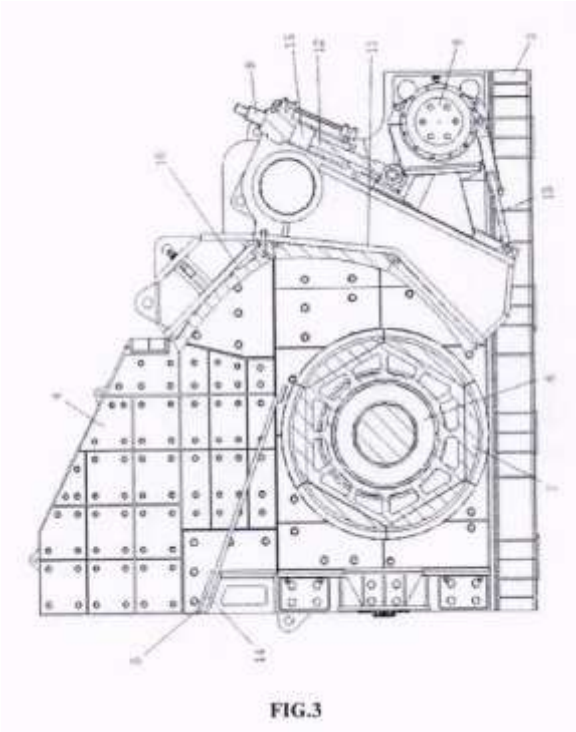
PCT/US2018/01665





- (11) No. 75
- (21) PP 75
- (22) 18/03/2021
- (30) 202010204296.4 21/03/2020 CN
- (43)
- (51) Int.Cl. B 02C 23/08(2006.01), B 02C 25/00(2006.01), B 02C 4/34(2006.01), B 02C 4/30(2006.01), B 02C 4/12(2006.01)
- (54) HORIZONTAL GYRATORY CRUSHER
- (57) It is provided with a horizontal gyratory crusher. The crusher comprises a power device and a crushing device. The power device is located at the side of the crushing device. The power device drives the crushing device. The crushing device is provided with a hydraulic adjusting device thereon. The crusher provided by the present utility model effectively overcomes the disadvantages of the height of the existing crusher apparatus, lacking prescreening function, and conical rolling mortar wall. Complex infrastructure and high cost. It is suitable for large-scale promotion and use.
- (71) Henan Zhongyu Dingli Intelligent Equipment Co., LTD
North Side of West We'er Road, Baiwei Avenue, Tangzhang Town Weihui City, Henan Province, China.
- (72) Bichao Chen.
- (74) CONCETTI-LAO CO., LTD.
- (55)





ພາກທີ I

(Part I)

ສິດທິບັດ ແລະ ອະນຸສິດທິບັດ

(Patent and Petty Patent)

3. ການປ່ຽນແປງ

(Changes)

ພາກທີ I

(Part I)

**ສິດທິບັດ ແລະ ອະນຸສິດທິບັດ
(Patent and Petty Patent)**

4. ການດັດແກ້

(Amendments)

ພາກທີ II
(Part II)
ແບບອຸດສາຫະກຳ
(Industrial Design)

1. ຄຳຮ້ອງ
(Applications)

ຄຳອະທິບາຍກ່ຽວກັບລະຫັດຫຍໍ້
(Introduction of Codes)

- (21) ເລກທີ ຄຳຮ້ອງ (Filing Number)
- (22) ວັນທີ ຄຳຮ້ອງ (Filing Date)
- (30) ວັນທີ ບຸລິມາສິດ (Priority Date)
- (51) ໝວດ (Locarno Classification)
- (54) ຊື່ຂອງແບບອຸດສາຫະກຳ (Title)
- (71) ຊື່ ແລະ ທີ່ຢູ່ ຂອງເຈົ້າຂອງ (Owner Name and Address)
- (72) ຊື່ຜູ້ອອກແບບ (Designer Name)
- (74) ຊື່ຕົວແທນ (Representative Name)
- (55) ຮູບພາບ (Pictures)

ພາກທີ II
(Part II)
ແບບອຸດສາຫະກຳ
(Industrial Design)

2. ຜົນການຈົດທະບຽນ
(Registration)

ຄຳອະທິບາຍກ່ຽວກັບລະຫັດຫຍໍ້
(Introduction of Codes)

- (11) ເລກທີ ຈົດທະບຽນ (Registration Number)
- (15) ວັນທີ ຈົດທະບຽນ (Registration Date)
- (21) ເລກທີ ຍືນຄຳຮ້ອງ (Filing Number)
- (22) ວັນທີ ຍືນຄຳຮ້ອງ (Filing Date)
- (30) ວັນທີ ບຸລິມາສິດ (Priority Date)
- (17) ວັນທີ ໝົດອາຍຸ (Expiration Date)
- (51) ໝວດ (Locarno Classification)
- (54) ຊື່ຂອງແບບອຸດສາຫະກຳ (Title)
- (71) ຊື່ ແລະ ທີ່ຢູ່ ຂອງເຈົ້າຂອງ (Owner Name and Address)
- (72) ຊື່ຜູ້ອອກແບບ (Designer Name)
- (74) ຊື່ຕົວແທນ (Representative Name)
- (55) ຮູບພາບ (Pictures)

ພາກທີ II
(Part II)
ແບບອຸດສາຫະກຳ
(Industrial Design)

3. ການປ່ຽນແປງ
(Changes)

ພາກທີ II
(Part II)

ແບບອຸດສາຫະກຳ
(Industrial Design)

4. ການດັດແກ້
(Amendments)

ພາກທີ III
(Part III)
ເຄື່ອງໝາຍການຄ້າ
Trademarks

1. ຄໍາຮ້ອງ
(Applications)

ຄໍາອະທິບາຍກ່ຽວກັບລະຫັດຫຍໍ້
(Introduction of Codes)

- (540) ເຄື່ອງໝາຍການຄ້າ (Trademark)
- (511) ໝວດ (Nice Classification)
- (210) ເລກທີ ຄໍາຮ້ອງ (Number of the application)
- (220) ວັນທີ ຄໍາຮ້ອງ (Date of filing of the application)
- (732) ຊື່ ແລະ ທີ່ຢູ່ ຂອງຜູ້ຍື່ນຄໍາຮ້ອງ (Name and Address of applicant)

(540)

HAWKER CHAN

(511) 43

(210) No. 46634

(220) 18/01/2022

(732) LIAO FAN HAWKER CHAN (GLOBAL)

PTE. LTD

21 Tampines Street 92, Harsing Kitchen,
528891, Singapore.

(540)



(511) 12

(210) No. 47243

(220) 01/08/2022

(732) ບໍລິສັດ ໂຮດາ ການຄ້າ ຈຳກັດຜູ້ດຽວ

ບ້ານ ໂພນໄຊ, ເມືອງໂພນໂຮງ, ແຂວງວຽງຈັນ,
ສປປ ລາວ

(540)



(511) 12

(210) No. 47244

(220) 01/08/2022

(732) ບໍລິສັດ ໂຮດາ ການຄ້າ ຈຳກັດຜູ້ດຽວ

ບ້ານ ໂພນໄຊ, ເມືອງໂພນໂຮງ, ແຂວງວຽງຈັນ, ສປປ
ລາວ

(540)



(511) 12

(210) No. 47245

(220) 01/08/2022

(732) ບໍລິສັດ ໂຮດາ ການຄ້າ ຈຳກັດຜູ້ດຽວ

ບ້ານ ໂພນໄຊ, ເມືອງໂພນໂຮງ, ແຂວງວຽງຈັນ, ສປປ
ລາວ

(540)



(511) 30

(210) No. 47247

(220) 02/08/2022

(732) S.B. FOOD COMPANY LIMITED

No. 139, Mu 6, Ban Bueng-Klaeng Road,
Wang Chan Sub-district, Wang Chan District,
Rayong Province, Thailand.

(540)



(511) 30

(210) No. 47248

(220) 02/08/2022

(732) S.B. FOOD COMPANY LIMITED

No. 139, Mu 6, Ban Bueng-Klaeng Road,
Wang Chan Sub-district, Wang Chan District,
Rayong Province, Thailand.

(540)



(511) 30

(210) No. 47249

(220) 02/08/2022

(732) S.B. FOOD COMPANY LIMITED

No. 139, Mu 6, Ban Bueng-Klaeng Road,
Wang Chan Sub-district, Wang Chan District,
Rayong Province, Thailand.

(540)

Comfrey

(511) 05

(210) No. 47250

(220) 02/08/2022

(732) HANGZHOU HAOYUE PERSONAL CARE
CO., LTD.

NO.655 HONGFENG ROAD, YUHANG
ECONOMIC AND TECHNOLOGICAL
DEVELOPMENT ZONE, HANGZHOU
CITY, ZHEJIANG PROVINCE, CHINA.

(540)



(511) 09

(210) No. 47251

(220) 02/08/2022

(732) Hozon New Energy Automobile Co., Ltd.
No. 988, Tongren Road, Wutong Street,
Tongxiang City, Jiaxing City, Zhejiang
Province, China.

(540)



(511) 12

(210) No. 47252

(220) 02/08/2022

(732) Hozon New Energy Automobile Co., Ltd.
No. 988, Tongren Road, Wutong Street,
Tongxiang City, Jiaxing City, Zhejiang
Province, China.

(540)



(511) 35

(210) No. 47253

(220) 02/08/2022

(732) Hozon New Energy Automobile Co., Ltd.
No. 988, Tongren Road, Wutong Street,
Tongxiang City, Jiaxing City, Zhejiang
Province, China.

(540)

NETA

(511) 09

(210) No. 47254

(220) 02/08/2022

(732) Hozon New Energy Automobile Co., Ltd.
No. 988, ongren Road, Wutong Street,
Tongxiang City, Jiaxing City, Zhejiang
Province, China.

(540)

NETA

(511) 12

(210) No. 47255

(220) 02/08/2022

(732) Hozon New Energy Automobile Co., Ltd.
No. 988, Tongren Road, Wutong Street,
Tongxiang City, Jiaxing City, Zhejiang
Province, China.

(540)

NETA

(511) 35

(210) No. 47256

(220) 02/08/2022

(732) Hozon New Energy Automobile Co., Ltd.
No. 988, Tongren Road, Wutong Street,
Tongxiang City, Jiaxing City, Zhejiang
Province, China.

(540)



(511) 34

(210) No. 47257

(220) 02/08/2022

(732) Jilin Tobacco Industry Co., Ltd.

No. 795, Tianchi Road, Yanji City, Jilin,
China.

(540)

The Chinese characters '长白山' (Changbai Mountain) written in a stylized, calligraphic font.

(511) 34

(210) No. 47258

(220) 02/08/2022

(732) Jilin Tobacco Industry Co. Ltd.

No. 795, Tianchi Road, Yanji City, Jilin,
China.

(540)



(511) 39

(210) No. 47259

(220) 02/08/2022

(732) ບໍລິສັດ ໄຊຜະຈັນ ໂລຊິດສະຕິກ ຈຳກັດຜູ້ດຽວ
ບ້ານ ສີສະຫວາດ ເມືອງ ຈັນທະບູລີ, ສປປ ລາວ.

(540)



(511) 20

(210) No. 47261

(220) 03/08/2022

(732) HOME PRODUCT CENTER PUBLIC
COMPANY LIMITED
31 PRACHACHUENNONTHABURI ROAD,
BANG KHEN SUB-DISTRICT, MUANG
NONTHABURI DISTRICT, NONTHABURI
PROVINCE, THAILAND.

(540)



(511) 24

(210) No. 47262

(220) 03/08/2022

(732) HOME PRODUCT CENTER PUBLIC
COMPANY LIMITED

31 PRACHACHUENNONTHABURI ROAD,
BANG KHEN SUB-DISTRICT, MUANG
NONTHABURI DISTRICT, NONTHABURI
PROVINCE, THAILAND.

(540)



(511) 27

(210) No. 47263

(220) 03/08/2022

(732) HOME PRODUCT CENTER PUBLIC
COMPANY LIMITED

31 PRACHACHUENNONTHABURI ROAD,
BANG KHEN SUB-DISTRICT, MUANG
NONTHBURI DISTRICT, NONTHABURI
PROVINCE, THAILAND.

(540)



(511) 20

(210) No. 47264

(220) 03/08/2022

(732) HOME PRODUCT CENTER PUBLIC
COMPANY LIMITED

31 PRACHACHUENNONTHABURI ROAD,
BANG KHEN SUB-DISTRICT, MUANG
NONTHABURI DISTRICT, NONTHABURI
PROVINCE, THAILAND.

(540)



(511) 11

(210) No. 47265

(220) 03/08/2022

(732) HOME PRODUCT CENTER PUBLIC
COMPANY LIMITED

31 PRACHACHUENNONTHABURI ROAD,
BANG KHEN SUB-DISTRICT, MUANG
NONTHABURI DISTRICT, NONTHABURI
PROVINCE, THAILAND.

(540)

MOYA 

(511) 20

(210) No. 47266

(220) 03/08/2022

(732) HOME PRODUCT CENTER PUBLIC

COMPANY LIMITED

31 PRACHACHUENNONTHABURI ROAD,
BANG KHEN SUB-DISTRICT, MUANG
NONTHABURI DISTRICT, NONTHABURI
PROVINCE, THAILAND.

(540)

MOYA 

(511) 21

(210) No. 47267

(220) 03/08/2022

(732) HOME PRODUCT CENTER PUBLIC

COMPANY LIMITED

31 PRACHACHUENNONTHABURI ROAD,
BANG KHEN SUB-DISTRICT, MUANG
NONTHABURI DISTRICT, NONTHABURI
PROVINCE, THAILAND.

(540)

The logo for 'Spring' features the word 'Spring' in a serif font. A small sprig with three leaves is positioned above the letter 'i'.

(511) 11

(210) No. 47268

(220) 03/08/2022

(732) HOME PRODUCT CENTER PUBLIC

COMPANY LIMITED

31 PRACHACHUENNONTHABURI ROAD,
BANG KHEN SUB-DISTRICT, MUANG
NONTHABURI DISTRICT, NONTHABURI
PROVINCE, THAILAND.

(540)

The logo for 'Spring' features the word 'Spring' in a serif font. A small sprig with three leaves is positioned above the letter 'i'.

(511) 18

(210) No. 47269

(220) 03/08/2022

(732) HOME PRODUCT CENTER PUBLIC

COMPANY LIMITED

31 PRACHACHUENNONTHABURI ROAD,
BANG KHEN SUB-DISTRICT, MUANG
NONTHABURI DISTRICT, NONTHABURI
PROVINCE, THAILAND.

(540)

The logo for 'Spring' features the word 'Spring' in a serif font. A small sprig with three leaves is positioned above the letter 'i'.

(511) 20

(210) No. 47270

(220) 03/08/2022

(732) HOME PRODUCT CENTER PUBLIC

COMPANY LIMITED

31 PRACHACHUENNONTHABURI ROAD,
BANG KHEN SUB-DISTRICT, MUANG
NONTHABURI DISTRICT, NONTHABURI
PROVINCE, THAILAND.

(540)

The logo for 'MATALI' features the word 'MATALI' in a bold, sans-serif font. To the right of the word is a square icon containing a stylized 'M' shape.

(511) 06

(210) No. 47271

(220) 03/08/2022

(732) HOME PRODUCT CENTER PUBLIC

COMPANY LIMITED

31 PRACHACHUENNONTHABURI ROAD,
BANG KHEN SUB-DISTRICT, MUANG
NONTHABURI DISTRICT, NONTHABURI
PROVINCE, THAILAND.

(540)

MATALL 

(511) 07

(210) No. 47272

(220) 03/08/2022

(732) HOME PRODUCT CENTER PUBLIC

COMPANY LIMITED

31 PRACHACHUENNONTHABURI ROAD,
BANG KHEN SUB-DISTRICT, MUANG
NONTHABURI DISTRICT, NONTHABURI
PROVINCE, THAILAND.

(540)

MATALL 

(511) 08

(210) No. 47273

(220) 03/08/2022

(732) HOME, PRODUCT CENTER PUBLIC

COMPANY LIMITED

31 PRACHACHUENNONTHABURI ROAD,
BANG KHEN SUB-DISTRICT, MUANG
NONTHABURI DISTRICT, NONTHABURI
PROVINCE, THAILAND.

(540)

MATALL 

(511) 12

(210) No. 47274

(220) 03/08/2022

(732) HOME PRODUCT CENTER PUBLIC

COMPANY LIMITED

31 PRACHACHUENNONTHABURI ROAD,
BANG KHEN SUB-DISTRICT, MUANG
NONTHABURI DISTRICT, NONTHABURI
PROVINCE, THAILAND.

(540)

MATALL 

(511) 20

(210) No. 47275

(220) 03/08/2022

(732) HOME PRODUCT CENTER PUBLIC

COMPANY LIMITED

31 PRACHACHUENNONTHABURI ROAD,
BANG KHEN SUB-DISTRICT, MUANG
NONTHABURI DISTRICT, NONTHABURI
PROVINCE, THAILAND.

(540)



(511) 11

(210) No. 47276

(220) 03/08/2022

(732) HOME PRODUCT CENTER PUBLIC
COMPANY LIMITED

31 PRACHACHUENNONTHABURI ROAD,
BANG KHEN SUB-DISTRICT, MUANG
NONTHABURI DISTRICT, NONTHABURI
PROVINCE, THAILAND.

(540)



(511) 19

(210) No. 47277

(220) 03/08/2022

(732) HOME PRODUCT CENTER PUBLIC
COMPANY LIMITED

31 PRACHACHUENNONTHABURI ROAD,
BANG KHEN SUB-DISTRICT, MUANG
NONTHABURI DISTRICT, NONTHABURI
PROVINC, THAILAND.

(540)

Stack 

(511) 20

(210) No. 47278

(220) 03/08/2022

(732) HOME PRODUCT CENTER PUBLIC

COMPANY LIMITED

31 PRACHACHUENNONTHABURI ROAD,
BANG KHEN SUB-DISTRICT, MUANG
NONTHABURI DISTRICT, NONTHABURI
PROVINCE, THAILAND.

(540)

EABIN 

(511) 06

(210) No. 47279

(220) 03/08/2022

(732) HOME PRODUCT CENTER PUBLIC

COMPANY LIMITED

31 PRACHACHUENNONTHABURI ROAD,
BANG KHEN SUB-DISTRICT, MUANG
NONTHABURI DISTRICT, NONTHABURI
PROVINCE, THAILAND.

(540)

The logo for EABIN, featuring a stylized 'E' with a 3D effect followed by the word 'ABIN' in a bold, sans-serif font.

(511) 11

(210) No. 47280

(220) 03/08/2022

(732) HOME PRODUCT CENTER PUBLIC
COMPANY LIMITED

31 PRACHACHUENNONTHABURI ROAD,
BANG KHEN SUB-DISTRICT, MUANG
NONTHAB URI DISTRICT, NONTHAB
URI PROVINCE, THAILAND.

(540)

The logo for EABIN, featuring a stylized 'E' with a 3D effect followed by the word 'ABIN' in a bold, sans-serif font.

(511) 20

(210) No. 47281

(220) 03/08/2022

(732) HOME PRODUCT CENTER PUBLIC
COMPANY LIMITED

31 PRACHACHUENNONTHABURI ROAD,
BANG KHEN SUB-DISTRICT, MUANG
NONTHABURI DISTRICT, NONTHABURI
PROVINCE, THAILAND.

(540)

asLE

(511) 06

(210) No. 47282

(220) 03/08/2022

(732) HOME PRODUCT CENTER PUBLIC

COMPANY LIMITED

31 PRACHACHUENNONTHABURI ROAD,
BANG KHEN SUB-DISTRICT, MUANG
NONTHABURI DISTRICT, NONTHABURI
PROVINCE, THAILAND.

(540)

asLE

(511) 19

(210) No. 47283

(220) 03/08/2022

(732) HOME PRODUCT CENTER PUBLIC

COMPANY LIMITED

31 PRACHACHUENNONTHABURI ROAD,
BANG KHEN SUB-DISTRICT, MUANG
NONTHABURI DISTRICT, NONTHABURI
PROVINCE, THAILAND.

(540)

The logo for ASLE, featuring the letters 'a', 's', 'l', and 'e' in a bold, lowercase, sans-serif font. The 'a' and 's' are connected, and the 'l' and 'e' are also connected.

(511) 20

(210) No. 47284

(220) 03/08/2022

(732) HOME PRODUCT CENTER PUBLIC

COMPANY LIMITED

31 PRACHACHUENNONTHABURI ROAD,
BANG KHEN SUB-DISTRICT, MUANG
NONTHABURI DISTRICT, NONTHABURI
PROVINCE, THAILAND.

(540)

The logo for PARNO, featuring a stylized icon of three circles to the left of the word 'PARNO' in a bold, uppercase, sans-serif font.

(511) 06

(210) No. 47285

(220) 03/08/2022

(732) HOME PRODUCT CENTER PUBLIC

COMPANY LIMITED

31 PRACHACHUENNONTHABURI ROAD,
BANG KHEN SUB-DISTRICT, MUANG
NONTHABURI DISTRICT, NONTHABURI
PROVINCE, THAILAND.

(540)

The logo for PARNO, featuring a stylized icon of four dots arranged in a 2x2 grid to the left of the word "PARNO" in a bold, sans-serif font.

(511) 11

(210) No. 47286

(220) 03/08/2022

(732) HOME PRODUCT CENTER PUBLIC

COMPANY LIMITED

31 PRACHACHUENNONTHABURI ROAD,
BANG KHEN SUB-DISTRICT, MUANG
NONTHABURI DISTRICT, NONTHABURI
PROVINCE, THAILAND.

(540)

The logo for PARNO, featuring a stylized icon of four dots arranged in a 2x2 grid to the left of the word "PARNO" in a bold, sans-serif font.

(511) 17

(210) No. 47287

(220) 03/08/2022

(732) HOME PRODUCT CENTER PUBLIC

COMPANY LIMITED

31 PRACHACHUENNONTHABURI ROAD,
BANG KHEN SUB-DISTRICT, MUANG
NONTHABURI DISTRICT, NONTHABURI
PROVINCE, THAILAND.

(540)

The logo for PARNO, featuring a stylized icon of four dots arranged in a 2x2 grid to the left of the word "PARNO" in a bold, sans-serif font.

(511) 19

(210) No. 47288

(220) 03/08/2022

(732) HOME PRODUCT CENTER PUBLIC

COMPANY LIMITED

31 PRACHACHUENNONTHABURI ROAD,
BANG KHEN SUB-DISTRICT, MUANG
NONTHABURI DISTRICT, NONTHABURI
PROVINCE, THAILAND.

(540)

The logo for PARNO, featuring a stylized icon of four dots arranged in a 2x2 grid to the left of the word "PARNO" in a bold, sans-serif font.

(511) 20

(210) No. 47289

(220) 03/08/2022

(732) HOME PRODUCT CENTER PUBLIC

COMPANY LIMITED

31 PRACHACHUENNONTHABURI ROAD,
BANG KHEN SUB-DISTRICT, MUANG
NONTHABURI DISTRICT, NONTHABURI
PROVINCE, THAILAND.

(540)



(511) 21

(210) No. 47290

(220) 03/08/2022

(732) HOME PRODUCT CENTER PUBLIC

COMPANY LIMITED

31 PRACHACHUENNONTHABURI ROAD,
BANG KHEN SUB-DISTRICT, MUANG
NONTHABURI DISTRICT, NONTHABURI
PROVINCE, THAILAND.

(540)



(511) 07

(210) No. 47291

(220) 03/08/2022

(732) HOME PRODUCT CENTER PUBLIC

COMPANY LIMITED

31 PRACHACHUENNONTHABURI ROAD,
BANG KHEN SUB-DISTRICT, MUANG
NONTHABURI DISTRICT, NONTHABURI
PROVINCE, THAILAND.

(540)

The logo for MAZDOX features the word "MAZDOX" in a bold, black, sans-serif font. The letters are closely spaced and have a slightly irregular, hand-drawn appearance.

(511) 08

(210) No. 47292

(220) 03/08/2022

(732) HOME PRODUCT CENTER PUBLIC

COMPANY LIMITED

31 PRACHACHUENNONTHABURI ROAD,
BANG KHEN SUB-DISTRICT, MUANG
NONTHABURI DISTRICT, NONTHABURI
PROVINCE, THAILAND.

(540)

The logo for LUCIUS PHARMACEUTICALS features the word "LUCIUS" in a bold, red, sans-serif font. Above the letter "U" is a small yellow sun icon with rays. Below "LUCIUS" is the word "PHARMACEUTICALS" in a smaller, black, sans-serif font.

(511) 05

(210) No. 47295

(220) 03/08/2022

(732) ບໍລິສັດ ລຸຊິວ ຟາມາຊີທິໂກ (ລາວ) ຈຳກັດ
ບ້ານ ທົ່ງມັງ, ເມືອງ ໄຊທານີ, ສປປ ລາວ

(540)

BEAR POWER

(511) 30

(210) No. 47296

(220) 04/08/2022

(732) INTERNATIONAL FOODSTUFFS CO.
LLC

AL-WAHDA STREET, INDUSTRIAL
AREA NO. 1, P.O. BOX 4115, SHARJAH,
UNITED ARAB EMIRATES.

(540)

BARE POWER

(511) 30

(210) No. 47297

(220) 04/08/2022

(732) INTERNATIONAL FOODSTUFFS CO.
LLC

AL-WAHDA STREET, INDUSTRIAL
AREA NO. 1, P.O. BOX 4115, SHARJAH,
UNITED ARAB EMIRATES.

(540)

SWEET SULTAN

(511) 30

(210) No. 47298

(220) 04/08/2022

(732) INTERNATIONAL FOODSTUFFS CO.
LLC

AL-WAHDA STREET, INDUSTRIAL
AREA NO. 1, P.O. BOX 4115, SHARJAH,
UNITED ARAB EMIRATES.

(540)

ACE

(511) 30

(210) No. 47299

(220) 04/08/2022

(732) INTERNATIONAL FOODSTUFFS CO.
LLC

AL-WAHDA STREET, INDUSTRIAL
AREA NO. 1, P.O. BOX 4115, SHARJAH,
UNITED ARAB EMIRATES.

(540)

BETTONI

(511) 30

(210) No. 47300

(220) 04/08/2022

(732) INTERNATIONAL FOODSTUFFS CO.
LLC

AL-WAHDA STREET, INDUSTRIAL
AREA NO. 1, P.O. BOX 4115, SHARJAH,
UNITED ARAB EMIRATES.

(540)

TOFFIX

(511) 30

(210) No. 47301

(220) 04/08/2022

(732) INTERNATIONAL FOODSTUFFS CO.
LLC

AL-WAHDA STREET, INDUSTRIAL
AREA NO. 1, P.O. BOX 4115, SHARJAH,
UNITED ARAB EMIRATES.

(540)

WONDERFUEL

(511) 30

(210) No. 47302

(220) 04/08/2022

(732) INTERNATIONAL FOODSTUFFS CO.
LLC

AL-WAHDA STREET, INDUSTRIAL
AREA NO. 1, P.O. BOX 4115, SHARJAH,
UNITED ARAB EMIRATES.

(540)

POWERFUEL

(511) 30

(210) No. 47303

(220) 04/08/2022

(732) INTERNATIONAL FOODSTUFFS CO.
LLC

AL-WAHDA STREET, INDUSTRIAL
AREA NO. 1, P.O. BOX 4115, SHARJAH,
UNITED ARAB EMIRATES.

(540)

BEAUTIFUEL

(511) 30

(210) No. 47304

(220) 04/08/2022

(732) INTERNATIONAL FOODSTUFFS CO.
LLC

AL-WAHDA STREET, INDUSTRIAL
AREA NO. 1, P.O. BOX 4115, SHARJAH,
UNITED ARAB EMIRATES.

(540)

PARADISE

(511) 30

(210) No. 47305

(220) 04/08/2022

(732) INTERNATIONAL FOODSTUFFS CO.
LLC

AL-WAHDA STREET, INDUSTRIAL
AREA NO. 1, P.O. BOX 4115, SHARJAH,
UNITED ARAB EMIRATES.

(540)

NUT TREE

(511) 30

(210) No. 47306

(220) 04/08/2022

(732) INTERNATIONAL FOODSTUFFS CO.
LLC

AL-WAHDA STREET, INDUSTRIAL
AREA NO. 1, P.O. BOX 4115, SHARJAH,
UNITED ARAB EMIRATES.

(540)

LOTTO

(511) 30

(210) No. 47307

(220) 04/08/2022

(732) INTERNATIONAL FOODSTUFFS CO.
LLC

AL-WAHDA STREET, INDUSTRIAL
AREA NO. 1, P.O. BOX 4115, SHARJAH,
UNITED ARAB EMIRATES.

(540)

FIELD DAY

(511) 30

(210) No. 47308

(220) 04/08/2022

(732) INTERNATIONAL FOODSTUFFS CO.
LLC

AL-WAHDA STREET, INDUSTRIAL
AREA NO. 1, P.O, BOX 4115, SHARJAH,
UNITED ARAB EMIRATES.

(540)

ALPHABITES

(511) 30

(210) No. 47309

(220) 04/08/2022

(732) INTERNATIONAL FOODSTUFFS CO.
LLC

AL-WAHDA STREET, INDUSTRIAL
AREA NO. 1, P.O. BOX 4115, SHARJAH,
UNITED ARAB EMIRATES.

(540)

SWICH CREAM UP

(511) 30

(210) No. 47310

(220) 04/08/2022

(732) INTERNATIONAL FOODSTUFFS CO.
LLC

AL-WAHDA STREET, INDUSTRIAL
AREA NO. 1, P.O. BOX 4115, SHARJAH,
UNITED ARAB EMIRATES.

(540)



(511) 30

(210) No. 47311

(220) 04/08/2022

(732) INTERNATIONAL FOODSTUFFS CO.
LLC

AL-WAHDA STREET, INDUSTRIAL
AREA NO. 1, P.O. BOX 4115, SHARJAH,
UNITED ARAB EMIRATES.

(540)



(511) 30

(210) No. 47312

(220) 04/08/2022

(732) INTERNATIONAL FOODSTUFFS CO.
LLC

AL-WAHDA STREET, INDUSTRIAL
AREA NO. 1, P.O. BOX 4115, SHARJAH,
UNITED ARAB EMIRATES.

(540)



(511) 30

(210) No. 47313

(220) 04/08/2022

(732) INTERNATIONAL FOODSTUFFS CO.
LLC

AL-WAHDA STREET, INDUSTRIAL
AREA NO. 1, P.O. BOX 4115, SHARJAH,
UNITED ARAB EMIRATES.

(540)



(511) 30

(210) No. 47314

(220) 04/08/2022

(732) INTERNATIONAL FOODSTUFFS CO.
LLC

AL-WAHDA STREET, INDUSTRIAL
AREA NO. 1, P.O. BOX 4115, SHARJAH,
UNITED ARAB EMIRATES.

(540)



(511) 30

(210) No. 47315

(220) 04/08/2022

(732) INTERNATIONAL FOODSTUFFS CO.
LLC

AL-WAHDA STREET, INDUSTRIAL
AREA NO. 1, P.O. BOX 4115, SHARJAH,
UNITED ARAB EMIRATES.

(540)



(511) 05

(210) No. 47318

(220) 04/08/2022

(732) ທ່ານ ລິດອານິນ ປະທຸມມະວັນ

ບ້ານ ໄຮ່ຄໍາ, ເມືອງ ໄຊເສດຖາ, ສປປ ລາວ

(540)



(511) 03 and 21

(210) No. 47319

(220) 04/08/2022

(732) KURON CORPORATION LIMITED

34 Keharomklao Road, Ratpattana,

Saphansung, Thailand.

(540)

SPARKLE

(511) 03 and 21

(210) No. 47320

(220) 04/08/2022

(732) KURON CORPORATION LIMITED

34 Keharomklao Road, Ratpattana"

Saphansung, Bangkok 10240, Thailand.

(540)

มิสมต้า

(511) 32

(210) No. 47321

(220) 04/08/2022

(732) PepsiCo, Inc.

700 Anderson Hill Road, Purchase, New

York 10577, United States of America.

(540)

The logo for Champion, featuring the word "Champion" in a black, cursive script font. The letter "C" is stylized with a thick, rounded top and a small loop at the bottom.

(511) 18 and 25

(210) No. 47322

(220) 04/08/2022

(732) HBI Branded Apparel Enterprises, LLC
1000 East Hanes Mill Road, Winston-Salem,
North Carolina 27105,
United States of America.

(540)



(511) 18 and 25

(210) No. 47323

(220) 04/08/2022

(732) HBI Branded Apparel Enterprises, LLC
1000 East Hanes Mill Road, Winston-Salem,
North Carolina 27105,
United States of America.

(540)

REELS

(511) 09, 38, 41 and 45

(210) No. 47324

(220) 05/08/2022

(732) Meta Platforms, Inc.

1601 Willow Road, Menlo Park, California
94025, United States of America.

(540)

SAMYANG TANGLE

(511) 30

(210) No. 47325

(220) 05/08/2022

(732) SAMYANG FOODS CO., LTD.

104, OPAESAN-RO 3-GIL, SEONGBUK-
GU, SEOUL, Republic of Korea.

(540)

OPTYMAX

(511) 01, 05 and 31

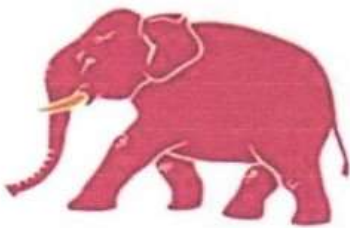
(210) No. 47326

(220) 05/08/2022

(732) Apical (Malaysia) Sdn. Bhd.

Level 6, Wisma Averis (Tower 2), Avenue 5,
Bangsar South City,
No. 8 Jalan Kerinchi, 59200 Kuala Lumpur,
Malaysia.

(540)



RED ELEPHANT

(511) 30

(210) No. 47331

(220) 09/08/2022

(732) ທ້າວ ຫງວຽນ ວັນຫວຽດ

ບ້ານ ແສງສະຫວ່າງ, ເມືອງ ໄຊເສດຖາ, ສປປ ລາວ

(540)



(511) 30

(210) No. 47332

(220) 09/08/2022

(732) ບໍລິສັດ ລາວຢຸນດາ ການຄ້າ ຂົນສົ່ງ ຂາເຂົ້າ-ຂາອອກ

ຈຳກັດຜູ້ດຽວ

ບ້ານ ໜອງສະໂນຄຳ, ເມືອງ ສີໂຄດຕະບອງ, ສປປ ລາວ

(540)



(511) 10

(210) No. 47333

(220) 09/08/2022

(732) DAIO PAPER CORPORATION

2-60, MISHIMA-KAMIYA-CHO,

SHIKOKUCHUO-SHI, EHIME-KEN,

JAPAN.

(540)

The logo for 'Fairy Wings' features the words 'Fairy Wings' in a stylized, purple, serif font. The text is set against a light, circular, ethereal background that resembles a soft glow or a pair of wings.

(511) 05

(210) No. 47334

(220) 09/08/2022

(732) DAIO PAPER CORPORATION
2-60, MISHIMA-KAMIYA-CHO,
SHIKOKUCHUO-SHI, EHIME-KEN,
JAPAN.

(540)

The logo for 'PUANA' consists of the word 'PUANA' in a bold, black, serif font. The letters are widely spaced and centered horizontally.

(511) 16

(210) No. 47335

(220) 09/08/2022

(732) DAIO PAPER CORPORATION
2-60, MISHIMA-KAMIYA-CHO,
SHIKOKUCHUO-SHI, EHIME-KEN,
JAPAN.

(540)

Rich Vision

(511) 09

(210) No. 47336

(220) 09/08/2022

(732) Shenzhen Shengse Technology Co., Ltd.

Room 601, No. 3, Jinshunyuan Factory

(Phase II), Furong South Road,

Tantou Community, Songgang Street, Baoan

District, Shenzhen, China.

(540)

iQOO

(511) 12

(210) No. 47337

(220) 09/08/2022

(732) VIVO MOBILE COMMUNICATION CO.,

LTD.

No. 1, vivo Road, Chang'an, Dongguan,

Guangdong,, China.

(540)

MONSTER ENERGY

(511) 32

(210) No. 47338

(220) 10/08/2022

(732) Monster Energy Company

1 Monster Way, Corona, California 92879,
United States of America.

(540)

MONSTER

(511) 32

(210) No. 47339

(220) 10/08/2022

(732) Monster Energy Company

1 Monster Way, Corona, California 92879,
United States of America.

(540)



(511) 30 and 32

(210) No. 47340

(220) 10/08/2022

(732) Monster Energy Company

1 Monster Way, Corona, California 92879,
United States of America.

(540)



(511) 05

(210) No. 47342

(220) 12/08/2022

(732) ບໍລິສັດ ເທບທິດາ ການຄ້າ ຈຳກັດຜູ້ດຽວ

ຖະໜົນ ມິດຕະພາບລາວ-ໄທ, ບ້ານ ທົ່ງກາງ, ເມືອງ
ສີສັດຕະນາກ, ສປປ ລາວ

(540)

小花腰

(511) 30

(210) No. 47343

(220) 12/08/2022

(732) YUNNAN YUXI HUAZHUANG FROZEN
FOOD CO., LTD.
TUANSHAN, TAIBEI ROAD, HONGTA
DISTRICT, YUXI CITY, YUNNAN
PROVINCE, CHINA.

(540)

MY MILLENNIUM PRESTIGE

(511) 35 and 43

(210) No. 47344

(220) 15/08/2022

(732) Millennium & Copthorne International
Limited
9 Raffles Place, #12-01 Republic Plaza,
Singapore.

(540)



(511) 35

(210) No. 47345

(220) 15/08/2022

(732) ບໍລິສັດ ແອວທິ ການຄ້າ ຂາອອກ-ຂາເຂົ້າ ຈຳກັດຜູ້ດຽວ
ບ້ານ ທ່າຫຼວງ, ນະຄອນປາກເຊ, ສປປ ລາວ

(540)



(511) 09

(210) No. 47346

(220) 16/08/2022

(732) SHENZHEN TCL NEW TECHNOLOGY
CO., LTD.

9/F, Building D4, International E City, 1001
Zhongshan Park Road, Xili Street, Nanshan
District, Shenzhen, 518000 Guangdong
, China.

(540)



(511) 10

(210) No. 47347

(220) 16/08/2022

(732) DAIO PAPER CORPORATION
2-60, MISHIMA-KAMIYA-CHO,
SHIKOKUCHUO-SHI, EHIME-KEN,
JAPAN.

(540)



(511) 09 and 42

(210) No. 47348

(220) 16/08/2022

(732) SU ZHONGQUN
NO. 33, XINZHUANG VILLAGE, LINGXI
TOWN, CANGNAN COUNTY, ZHEJIANG
PROVINCE, CHINA.

(540)

lmtoken

(511) 09 and 42

(210) No. 47349

(220) 16/08/2022

(732) SU ZHONGQUN

NO. 33, XINZHUANG VILLAGE, LINGXI
TOWN, CANGNAN COUNTY,
ZHEJIANG PROVINCE, CHINA.

(540)

toocki

(511) 09

(210) No. 47350

(220) 16/08/2022

(732) SHENZHEN TOOCKI NETWORK

TECHNOLOGY CO., LTD.

5th Floor, Room 522, Building C2, Zhonghao
Industrial Area, Xiangjiaotang Community,
Bantian Street, Longgang District, Shenzhen,
Guangdong, China.

(540)



(511) 30

(210) No. 47351

(220) 17/08/2022

(732) ໂຮງງານປຸງແຕ່ງຊາ ແສງຄຳ ລາວລີ

ບ້ານ ວັດແກ້ວ, ເມືອງຜົ້ງສາລີ, ແຂວງ ຜົ້ງສາລີ,
ສປປ ລາວ,

(540)



(511) 22 and 35

(210) No. 47352

(220) 17/08/2022

(732) ຮ້ານ ນາຣີ ກະເປົາລາວປະຍຸກ

ບ້ານ ໜອງບອນ ເມືອງ ໄຊເສດຖາ, ສປປ ລາວ

(540)



(511) 22 and 35

(210) No. 47353

(220) 17/08/2022

(732) ຮ້ານ ນາຣີ ກະເປົາລາວປະຍຸກ

ບ້ານ.ໜອງບອນ ເມືອງ. ໄຊເສດຖາ, ສປປ ລາວ



(540)



(511) 30

(210) No. 47354

(220) 17/08/2022

(732) THIEN CHEONG SDN. BHD.

11, 11A, 15,16,17 & 23 JALAN
PERUSAHAAN RINGAN 1, KAWASAN
INDUSTRI RINGAN MAK MANDIN,
13400 BUTTERWORTH, PENANG,
MALAYSIA.

(540)



(511) 29

(210) No. 47355

(220) 17/08/2022

(732) THIEN CHEONG SDN. BHD.

11, 11A, 15,16,17 & 23 JALAN
PERUSAHAAN RINGAN 1, KAWASAN
INDUSTRI RINGAN MAK MANDIN,
13400 BUTTERWORTH, PENANG,
MALAYSIA.

(540)



(511) 28

(210) No. 47356

(220) 17/08/2022

(732) WEIHAI SHENG CARLIN OUTDOOR
CO.,LTD.

No. 66-5 Xinghai Road, Yangting town,
Huancui district, Weihai city, Shandong
Province, China.

(540)

DARK WONDER

(511) 30

(210) No. 47357

(220) 18/08/2022

(732) Elite Gold Ltd.

Portcullis TrustNet Chambers, P.O. Box
3444, Road Town, Tortola, British Virgin
, Islands.

(540)

FED

(511) 28

(210) No. 47358

(220) 18/08/2022

(732) Zhejiang Feier Intelligent Technology Co.,
Ltd.

6-602, No.501, No.2 Street, Baiyang Street,
Qiantang New District, Hangzhou City,
Zhejiang Province CHINA 310000, China.

(540)

SOKANY

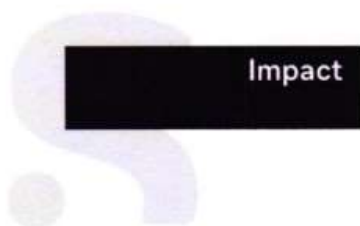
(511) 08

(210) No. 47359

(220) 18/08/2022

(732) Yiwu Mingge Electric Appliance Co., Ltd.
Room 15A07, International Chamber of
Commerce Building, Building 2, Zhongfu
Plaza, No. 799 Chengbei Road, Yiwu City,
Zhejiang Province, China.

(540)



(511) 05 and 10

(210) No. 47360

(220) 18/08/2022

(732) SANOFI

54, rue La Boetie, 75008 PARIS, France.

(540)



(511) 30

(210) No. 47361

(220) 19/08/2022

(732) ໂຮງງານປຸງແຕ່ງຊາ ສົມນົກ ລາວຖັງ

ບ້ານ ວັດແກ້ວ, ເມືອງຜົ້ງສາລີ, ແຂວງຜົ້ງສາລີ,
ສປປ ລາວ

(540)



(511) 29

(210) No. 47362

(220) 19/08/2022

(732) Rod Dee Ded (Thailand) Company Limited

118/25 Sai Mai Road, Sai Mai, Sai Mai
District, Bangkok 10220, Thailand.

(540)



(511) 30

(210) No. 47363

(220) 19/08/2022

(732) Rod Dee Ded (Thailand) Company Limited
118/25 Sai Mai Road, Sai Mai, Sai Mai
District, Bangkok 10220, Thailand.

(540)



(511) 43

(210) No. 47364

(220) 19/08/2022

(732) Rod Dee Ded (thailand) Company Limited
118/25 Sai Mai Road, Sai Mai, Sai Mai
District, Bangkok 10220 , Thailand.

(540)

SANÉ

(511) 25

(210) No. 47365

(220) 19/08/2022

(732) ທ້າວ ຮອນດ້າ ຫລວງພິບັກ

ບ້ານ ນາສ້ຽວ ເມືອງ ນາຊາຍທອງ, ສປປ ລາວ

(540)



(511) 16

(210) No. 47366

(220) 22/08/2022

(732) DAIO PAPER CORPORATION 2-60,
MISHIMA-KAMTYA-CHO,
SHIKOKUCHUO-SHI, EHIME-KEN,
JAPAN.

(540)



(511) 35 and 39

(210) No. 47367

(220) 22/08/2022

(732) Kerry Logistics Network Limited

16/F Kerry Cargo Centre, 55 Wing Kei Road,
Kwai Chung, New Territories, Hong Kong.

(540)



(511) 35 and 39

(210) No. 47368

(220) 22/08/2022

(732) Kerry Logistics Network Limited

16/F Kerry Cargo Centre, 55 Wing Kei Road,
Kwai Chung, New Territories, Hong Kong.

(540)



(511) 35

(210) No. 47369

(220) 23/08/2022

(732) ບໍລິສັດ ເຄເອັສ ການຄ້າສາກົນ ຈຳກັດຜູ້ດຽວ
ບ້ານ ເມືອງນ້ອຍ ເມືອງ ໄຊເສດຖາ, ສປປ ລາວ

(540)



(511) 32

(210) No. 47370

(220) 24/08/2022

(732) Monster Energy Company
1 Monster Way, Corona, California 92879,
United States of America.

(540)

แอนด์

(511) 05

(210) No. 47371

(220) 24/08/2022

(732) FONTERRA BRANDS (SINGAPORE) PTE
LIMITED

182 Cecil Street, #15-01 Frasers Tower,
Singapore 069547.

(540)

แอนด์

(511) 29

(210) No. 47372

(220) 24/08/2022

(732) FONTERRA BRANDS (SINGAPORE) PTE
LIMITED

182 Cecil Street, #15-01 Frasers Tower,
06954, Singapore.

(540)

ອາລາເສິນຕິງ 阿拉神丁

(511) 05

(210) No. 47373

(220) 24/08/2022

(732) ບໍລິສັດ ດີເອັຈອີເອ ຕິງກາ ຈຳກັດຜູ້ດຽວ

ບ້ານທາດຫຼວງເໜືອ, ເມືອງໄຊເສດຖາ, ສປປ ລາວ

(540)

vvild

(511) 34 and 35

(210) No. 47374

(220) 24/08/2022

(732) Shenzhen VVILD Technology Co., Ltd

605 Building A Yuanzhengchuangyedasha,

No. 19 Langshan Road,

Songpingshanshequ, Xili Street, Nanshan

District, Shenzhen, Guangdong, China.

(540)

VIMIZI

(511) 34 and 35

(210) No. 47375

(220) 24/08/2022

(732) Shenzhen VVILD Technology Co., Ltd
605 Building A Yuanzhengchuangyedasha,
No. 19 Langshan Road,
Songpingshanshequ, Xili Street, Nanshan
District, Shenzhen, Guangdong, China.

(540)

SNP

(511) 36 and 39

(210) No. 47376

(220) 25/08/2022

(732) Saigon Newport One Member Limited
Liability Corporation
722 Dien Bien Phu Street, Ward 22, Bitlh
Thanh District. Ho Chi Minh City, Vietnam.

(540)

Saigon Newport

(511) 36 and 39

(210) No. 47377

(220) 25/08/2022

(732) Saigon Newport One Member Limited

Liability Corporation

722 Dien Bien Phu Street, Ward 22, Binh

Thanh District, Ho Chi Minh City, Vietnam.

(540)

Saigon Newport

(511) 36 and 39

(210) No. 47378

(220) 25/08/2022

(732) Saigon Newport One Member Limited

Liability Corporation

722 Dien Bien Phu Street, Ward 22, Binh

Thanh District, Ho Chi Minh City, Vietnam.

(540)

Tan Cang

(511) 36 and 39

(210) No. 47379

(220) 25/08/2022

(732) Saigon Newport One Member Limited

Liability Corporation

722 Dien Bien Phu Street, Ward 22, Binh

Thanh District, Ho Chi Minh City, Vietnam.

(540)



(511) 36 and 39

(210) No. 47380

(220) 25/08/2022

(732) Saigon Newport One Member Limited

Liability Corporation

722 Dien Bien Phu Street, Ward 22, Binh

Thanh District, Ho Chi Minh City, Vietnam.

(540)



(511) 33

(210) No. 47381

(220) 25/08/2022

(732) BANGKOK BEER & BEVERAGES CO.,
LTD.

809 Soi Pattanakarn 30, Suanluang Sub-
district, Suanluang District, Bangkok 10250,
Thailand.

(540)



(511) 38 and 41

(210) No. 47384

(220) 29/08/2022

(732) RCN TELEVISION S.A.

AV. DE LAS AMERICAS NO. 65. 82
BOGOTA D.C, COLOMBIA.

(540)



(511) 38 and 41

(210) No. 47385

(220) 29/08/2022

(732) RCN TELEVISION S.A.

AV. DE LAS AMERICAS NO.65- 82
BOGOTA D.C., COLOMBIA.

(540)



(511) 20, 30, 35 and 43

(210) No. 47386

(220) 29/08/2022

(732) MEKONG YONGZHEN IMPORT-EXPORT
SOLE CO., LTD

T2 Rd, Wattaynoythong Village,
Sikhottabong District, Vientiane Cap, Lao
People's Democratic Republic.

(540)



(511) 04

(210) No. 47388

(220) 30/08/2022

(732) SUNDARAM-CLAYTON LIMITED

"Chaitanya", No.12, Khader Nawaz Khan
Road, Nungambakkam, Chennai - 600006,
Tamil Nadu, India.

(540)

STOM

(511) 29

(210) No. 47389

(220) 30/08/2022

(732) SAFCOL HOLDINGS (HONG KONG)
LIMITED

Room 2206, 22nd Floor, Billion Plaza, 8
Cheung Yue Street, Cheung Sha Wan,
Kowloon, Hong Kong.

(540)

STOM

(511) 31

(210) No. 47390

(220) 30/08/2022

(732) SAFCOL HOLDINGS (HONG KONG)
LIMITED

Room 2206, 22nd Floor Billion Plaza, 8
Cheung Yue Street, Cheung Sha Wan,
Kowloon, Hong Kong.

(540)



(511) 12

(210) No. 47391

(220) 31/08/2022

(732) Jiangsu Jinpeng Group Co., Ltd

East of Tunshidagou Road, West of Tunqing
RoadXuzhou Industrial Park, Xuzhou City,
Jiangsu Province, China.

ພາກທີ III

(Part III)

ເຄື່ອງໝາຍການຄ້າ

Trademarks

2. ຜົນການຈົດທະບຽນ

(Registration)

ຄຳອະທິບາຍກ່ຽວກັບລະຫັດຫຍໍ້

(Introduction of Codes)

- (540) ເຄື່ອງໝາຍການຄ້າ (Trademark)
- (511) ໝວດ (Nice Classification)
- (210) ເລກທີ ຄຳຮ້ອງ (Number of the application)
- (220) ວັນທີ ຄຳຮ້ອງ (Date of filing of the application)
- (732) ຊື່ ແລະ ທີ່ຢູ່ ຂອງຜູ້ຍື່ນຄຳຮ້ອງ (Name and Address of applicant)
- (111) ເລກທີ ການຈົດທະບຽນເຄື່ອງໝາຍການຄ້າ (Number of the registration)
- (180) ວັນໝົດອາຍຸຂອງການຈົດທະບຽນ (Expiration date of the registration)

ພາກທີ III
(Part III)
ເຄື່ອງໝາຍການຄ້າ
Trademarks

3. ການຕໍ່ອາຍຸ
(Renewal)

ຄຳອະທິບາຍກ່ຽວກັບລະຫັດຫຍໍ້
(Introduction of Codes)

- (540) ເຄື່ອງໝາຍການຄ້າ (Trademark)
- (511) ໝວດ (Nice Classification)
- (210) ເລກທີ ຄຳຮ້ອງ (Number of the application)
- (220) ວັນທີ ຄຳຮ້ອງ (Date of filing of the application)
- (732) ຊື່ ແລະ ທີ່ຢູ່ ຂອງຜູ້ຍື່ນຄຳຮ້ອງ (Name and Address of applicant)
- (111) ເລກທີການຈັດທະບຽນເຄື່ອງໝາຍການຄ້າ (Number of the registration)
- (180) ການຕໍ່ອາຍຸການຈັດທະບຽນ (Expiration date of the renewal)

(540) Renewal

Jordan*

JORDAN

(511) 10 and 21

(210) No. 1071

(220) 29/05/1992

(732) LILLEBORG AS

Haavard Martinsens vei 30, 0978 Oslo,
Norway

(111) No. 1034

(180) 29/05/2042

(540) Renewal

Jordan*

JORDAN

(511) 10 and 21

(210) No. 1071

(220) 29/05/1992

(732) LILLEBORG AS

Haavard Martinsens vei 30, 0978 Oslo,
Norway

(111) No. 1034

(180) 29/05/2032

(540) Renewal

MTWTFSS
WEEKDAY

(511) 25

(210) No. 26311

(220) 03/05/2012

(732) H & M HENNES & MAURITZ AB

SE-106 38 Stockholm, Sweden

(111) No. 25626

(180) 13/11/2032

(540) Renewal

MTWTFSS
WEEKDAY

(511) 35

(210) No. 26312

(220) 03/05/2012

(732) H & M HENNES & MAURITZ AB

SE-106 38 Stockholm, Sweden

(111) No. 25627

(180) 13/11/2032

(540) Renewal



(511) 25

(210) No. 26313

(220) 03/05/2012

(732) WEEKDAY BRANDS AB

Box 336, SE-573 24 Tranas, Sweden

(111) No. 25628

(180) 13/11/2032

(540) Renewal



(511) 35

(210) No. 26314

(220) 03/05/2012

(732) WEEKDAY BRANDS AB

BOX 336, SE-573 24 TRANAS, Sweden

(111) No. 25629

(180) 13/11/2032

(540) Renewal

The logo for 'MONKI' is displayed in a stylized, hand-drawn font. The letters are black with a slightly irregular, sketchy appearance. The 'M' and 'K' have a distinctive shape, with the 'K' having a vertical stem and a horizontal bar that curves slightly.

(511) 25

(210) No. 26315

(220) 03/05/2012

(732) H & M HENNES & MAURITZ AB

SE-106 38 Stockholm, Sweden

(111) No. 25630

(180) 13/11/2032

(540) Renewal

The logo for 'MONKI' is displayed in a stylized, hand-drawn font. The letters are black with a slightly irregular, sketchy appearance. The 'M' and 'K' have a distinctive shape, with the 'K' having a vertical stem and a horizontal bar that curves slightly.

(511) 35

(210) No. 26316

(220) 03/05/2012

(732) H & M HENNES & MAURITZ AB

SE-106 38 Stockholm, Sweden

(111) No. 25631

(180) 13/11/2032

ພາກທີ III

(Part III)

ເຄື່ອງໝາຍການຄ້າ

Trademarks

4. ການປ່ຽນແປງ

(Changes)

ພາກທີ III
(Part III)
ເຄື່ອງໝາຍການຄ້າ
Trademarks

5. ການດັດແກ້
(Amendments)

ພາກທີ IV

(Part IV)

ເຄື່ອງໝາຍການຄ້າຜ່ານລະບົບມາດຣິດ

Trademarks via Madrid Protocol

1. ຄໍາຮ້ອງ

(Applications)

ຄໍາອະທິບາຍກ່ຽວກັບລະຫັດຫຍໍ້ (Introduction of Codes)

- (540) ເຄື່ອງໝາຍການຄ້າ (Trademark)
- (511) ໝວດ (Nice Classification)
- (210) ເລກທີ ຄໍາຮ້ອງ (Number of the application)
- (220) ວັນທີ ຄໍາຮ້ອງ (Date of filing of the application)
- (732) ຊື່ ແລະ ທີ່ຢູ່ ຂອງຜູ້ຍື່ນຄໍາຮ້ອງ (Name and Address of applicant)

ພາກທີ IV

(Part IV)

ເຄື່ອງໝາຍການຄ້າຜ່ານລະບົບມາດຣິດ

Trademarks via Madrid Protocol

2. ຜົນການຈົດທະບຽນ

(Registration)

ຄຳອະທິບາຍກ່ຽວກັບລະຫັດຫຍໍ້

(Introduction of Codes)

- (540) ເຄື່ອງໝາຍການຄ້າ (Trademark)
- (511) ໝວດ (Nice Classification)
- (210) ເລກທີ ຄຳຮ້ອງ (Number of the application)
- (220) ວັນທີ ຍື່ນຄຳຮ້ອງ (Date of filing of the application)
- (732) ຊື່ ແລະ ທີ່ຢູ່ ຂອງຜູ້ຍື່ນຄຳຮ້ອງ (Name and Address of applicant)
- (111) ເລກທີການຈົດທະບຽນເຄື່ອງໝາຍການຄ້າ (Number of the registration)
- (180) ວັນໝົດອາຍຸຂອງການຈົດທະບຽນ (Expiration date of the registration)

(540)

Y by Yoshiki

(511) 33

(210) No. M/1647720

(220) 21/12/2021

(732) Japan Music Agency Co., Ltd.

Yoyogi Kamizonochō 3-3-103, Shibuya-Ku

Tokyo 151-0052, Japan

(111) No. M/1647720

(180) 21/12/2031

(540)

ADRA

(511) 41 and 45

(210) No. M/1648395

(220) 20/10/2021

(732) Adventist Development and Relief Agency

International

12501 Old Columbia Pike Silver Spring MD

20904, United States of America

(111) No. M/1648395

(180) 20/10/2031

(540)

Legening

(511) 09, 43 and 45

(210) No. M/1648738

(220) 25/10/2021

(732) Ningbo Yichuanhong Home Care Group
Co.,Ltd.

No. 165 Zhongshan Dong Road, Yuelong
Street, Ninghai County, Ningbo City Zhejiang
Province, China

(111) No. M/1648738

(180) 25/10/2031

(540)

etung

(511) 03

(210) No. M/1650738

(220) 22/10/2021

(732) Zhangzhou Yutong Industrial Co., Ltd.

No. 07, Yishu Avenue, Yunling Industrial
Development Zone, Yunxiao County,
Zhangzhou City Fujian Province, China

(111) No. M/1650738

(180) 22/10/2031

(540)

IVECO • GROUP

(511) 12

(210) No. M/1652108

(220) 03/11/2021

(732) IVECO S.P.A.

VIA PUGLIA 35 I-10156 TORINO, ITALY

(111) No. M/1652108

(180) 03/11/2031

(540)

MIUI

(511) 07, 09, 11, 12, 35 and 42

(210) No. M/1653377

(220) 21/10/2021

(732) Xiaomi Inc.

No. 006, Floor 6, Building 6, Yard 33, Middle
Xierqi Road, Haidian District Beijing, China

(111) No. M/1653377

(180) 21/10/2031

(540)



(511) 28

(210) No. M/1648239

(220) 19/01/2022

(732) Kia Corporation

12, Heolleung-ro, Seocho-gu Seoul 06797,

Republic of Korea

(111) No. M/1648239

(180) 19/01/2032

(540)



(511) 18

(210) No. M/1648303

(220) 12/01/2022

(732) Kia Corporation

12, Heolleung-ro, Seocho-gu Seoul 06797,

Republic of Korea

(111) No. M/1648303

(180) 12/01/2032

(540)



(511) 25

(210) No. M/1648935

(220) 12/01/2022

(732) Kia Corporation

12, Heolleung-ro, Seocho-gu Seoul 06797,
Republic of Korea

(111) No. M/1648935

(180) 12/01/2032

(540)



(511) 36

(210) No. M/1648939

(220) 19/01/2022

(732) Kia Corporation

12, Heolleung-ro, Seocho-gu Seoul 06797,
Republic of Korea

(111) No. M/1648939

(180) 19/01/2032

(540)



(511) 38

(210) No. M/1648940

(220) 19/01/2022

(732) Kia Corporation

12, Heolleung-ro, Seocho-gu Seoul 06797,

Republic of Korea

(111) No. M/1648940

(180) 19/01/2032

(540)



(511) 42

(210) No. M/1649842

(220) 19/01/2022

(732) Kia Corporation

12, Heolleung-ro, Seocho-gu Seoul 06797,

Republic of Korea

(111) No. M/1649842

(180) 19/01/2032

(540)

GLOBAL TRADE FINANCE

(511) 36, 42 and 45

(210) No. M/1651025

(220) 28/11/2021

(732) Global Trade Finance GmbH

Rainerstraße 14 A-4020 Linz, Austria

(111) No. M/1651025

(180) 28/11/2031

(540)



Movement that inspires

(511) 10

(210) No. M/1651809

(220) 19/01/2022

(732) Kia Corporation

12, Heolleung-ro, Seocho-gu Seoul 06797,

Republic of Korea

(111) No. M/1651809

(180) 19/01/2032

ພາກທີ IV

(Part IV)

ເຄື່ອງໝາຍການຄ້າຜ່ານລະບົບມາດຣິດ

Trademarks via Madrid Protocol

3. ຜົນການຕໍ່ອາຍຸ

(Renewal)

ຄຳອະທິບາຍກ່ຽວກັບລະຫັດຫຍໍ້ (Introduction of Codes)

- (540) ເຄື່ອງໝາຍການຄ້າ (Trademark)
- (511) ໝວດ (Nice Classification)
- (210) ເລກທີ ຄຳຮ້ອງ (Number of the application)
- (220) ວັນທີ ຍື່ນຄຳຮ້ອງ (Date of filing of the application)
- (732) ຊື່ ແລະ ທີ່ຢູ່ ຂອງຜູ້ຍື່ນຄຳຮ້ອງ (Name and Address of applicant)
- (111) ເລກທີການຈົດທະບຽນເຄື່ອງໝາຍການຄ້າ (Number of the registration)
- (180) ການຕໍ່ອາຍຸຂອງການຈົດທະບຽນ (Expiration date of the renewal)

ພາກທີ IV

(Part IV)

ເຄື່ອງໝາຍການຄ້າຜ່ານລະບົບມາດຣິດ

Trademarks via Madrid Protocol

4. ການປ່ຽນແປງ

(Changes)

ພາກທີ IV

(Part IV)

ເຄື່ອງໝາຍການຄ້າຜ່ານລະບົບມາດຣິດ

Trademarks via Madrid Protocol

5. ການດັດແກ້

(Amendments)

ພາກທີ V
(Part V)
ຖິ່ນກຳເນີດ
Geographical Indications

1. ຄຳຮ້ອງ
(Applications)

ພາກທີ V
(Part V)
ຖິ່ນກຳເນີດ
Geographical Indications

2. ຜົນການຈົດທະບຽນ
(Registration)

ພາກທີ V

(Part V)

ຖິ່ນກຳເນີດ

Geographical Indications

3. ການປ່ຽນແປງ

(Changes)

ພາກທີ V
(Part V)
ຖິ່ນກຳເນີດ
Geographical Indications

4. ການດັດແກ້
(Amendments)

ພາກທີ VI

(Part VI)

ພັນພືດໃໝ່

New Plant Varieties

1. ຄໍາຮ້ອງ

(Applications)

ພາກທີ VI

(Part VI)

ພັນພືດໃໝ່

New Plant Varieties

2. ຜົນການຈັດທະບຽນ

(Registration)

ພາກທີ VI

(Part VI)

ພັນພືດໃໝ່

New Plant Varieties

3. ການປ່ຽນແປງ

(Changes)

ພາກທີ VI

(Part VI)

ພັນພືດໃໝ່

New Plant Varieties

4. ການດັດແກ້

(Amendments)

ພາກທີ VII

(Part VII)

ລິຂະສິດ ແລະ ສິດກ່ຽວຂ້ອງກັບລິຂະສິດ

Copyrights and Related Rights

1. ການແຈ້ງຂໍ້ມູນ

(Notifications)

ພາກທີ VII

(Part VII)

ລິຂະສິດ ແລະ ສິດກ່ຽວຂ້ອງກັບລິຂະສິດ

Copyrights and Related Rights

2. ການປ່ຽນແປງ

(Changes)

ພາກທີ VIII

(Part VIII)

**ການແກ້ໄຂຂໍ້ຂັດແຍ່ງທາງດ້ານບໍລິຫານກ່ຽວກັບການຈົດທະບຽນຊັບ
ສິນອຸດສາຫະກຳ ແລະ ພັນພືດໃໝ່**

**Administrative Dispute Resolutions on the Registration of
Industrial Property and New Plant Varieties**

1. ຜົນການຄັດຄ້ານຄຳຮ້ອງ

(Result of Oppositions)

ພາກທີ VIII

(Part VIII)

**ການແກ້ໄຂຂໍ້ຂັດແຍ່ງທາງດ້ານບໍລິຫານກ່ຽວກັບການຈົດທະບຽນຊັບ
ສິນອຸດສາຫະກຳ ແລະ ພັນພືດໃໝ່**

**Administrative Dispute Resolutions on the Registration of
Industrial Property and New Plant Varieties**

2. ຜົນການແຈ້ງປະຕິເສດ

(Result of Refusals)

ພາກທີ VIII

(Part VIII)

**ການແກ້ໄຂຂໍ້ຂັດແຍ່ງທາງດ້ານບໍລິຫານກ່ຽວກັບການຈົດທະບຽນຊັບ
ສິນອຸດສາຫະກຳ ແລະ ພັນພືດໃໝ່**

**Administrative Dispute Resolutions on the Registration of
Industrial Property and New Plant Varieties**

**3. ຜົນການຍົກເລີກ ຫຼື ລົບລ້າງ ຂອງການຈົດທະບຽນ
(Result of Cancellation or Invalidation of Registration)**