



**ສາທາລະນາລັດ ປະຊາທິປະໄຕ ປະຊາຊົນລາວ**  
**LAO PEOPLE'S DEMOCRATIC REPUBLIC**

**ກະຊວງ ອຸດສາຫະກຳ ແລະ ການຄ້າ**  
**ກົມຊັບສິນທາງປັນຍາ**

**MINISTRY OF INDUSTRY AND COMMERCE**  
**DEPARTMENT OF INTELLECTUAL PROPERTY**

**ຈົດໝາຍເຫດທາງລັດຖະການ**  
**ກ່ຽວກັບ ຊັບສິນທາງປັນຍາ**  
**ຢູ່ ສປປ ລາວ**

**OFFICIAL GAZETTE ON INTELLECTUAL PROPERTY**  
**IN LAO PDR**

ສະບັບທີ (Vol.) 202

# ພາກທີ I (Part I)

## ສິດທິບັດ ແລະ ອະນຸສິດທິບັດ (Patent and Petty Patent)

### 1. ຄໍາຮ້ອງ (Applications)

#### ຄໍາອະທິບາຍກ່ຽວກັບລະຫັດຫຍໍ້ (Introduction of Codes)

- (21) ເລກທີ ຄໍາຮ້ອງ (Filing Number)
- (22) ວັນທີ ຍືນຄໍາຮ້ອງ (Filing Date)
- (30) ວັນທີ ບ ລິມະສິດ (Priority Date)
- (43) ວັນທີເຜີຍແຜ່ (Publication Date)
- (51) ໝວດ (International Patent Classification)
- (54) ຊື່ຂອງການປະດິດ (Title)
- (57) ບົດຄັດຫຍໍ້ (Abstract)
- (71) ຊື່ ແລະ ທີ່ຢ ບໍ ເຈົ້າຂອງສິດທິບັດ ແລະ ອະນ ສິດທິບັດ (Owner Name and Address)
- (72) ຊື່ຜູ້ປະດິດ (Inventor Name)
- (74) ຊື່ຕົວແທນ (Representative Name)
- (55) ຮ ບພາບ (Pictures)

# ພາກທີ I (Part I)

## ສິດທິບັດ ແລະ ອະນຸສິດທິບັດ (Patent and Petty Patent)

### 2. ຜົນການອອກສິດທິບັດ ແລະ ອະນຸສິດທິບັດ (Grant of Patents and Petty Patents)

#### ຄໍາອະທິບາຍກ່ຽວກັບລະຫັດຫຍໍ້ (Introduction of Codes)

- (11) ເລກທີ (Grant Number)
- (21) ເລກທີ ຄໍາຮ້ອງ (Filing Number)
- (22) ວັນທີຍືນຄໍາຮ້ອງ (Filing Date)
- (30) ວັນທີ ບ ລິມະສິດ (Priority Date)
- (43) ວັນທີເຜີຍແຜ່ (Publication Date)
- (51) ໝວດ (International Patent Classification)
- (54) ຫົວຂໍ້ ການປະດິດ (Title)
- (57) ບົດຄັດຫຍໍ້ (Abstract)
- (71) ຊື່ ແລະ ທີ່ຢ ບໍ ເຈົ້າຂອງສິດທິບັດ ແລະ ອະນ ສິດທິບັດ (Owner Name and Address)
- (72) ຊື່ຜູ້ປະດິດ (Inventor Name)
- (74) ຊື່ຕົວແທນ (Representative Name)
- (55) ຮ ບພາບ (Pictures)

Official Gazette of Industrial Property Vol. 202, 14/04/2023

- (11) No. 284
- (21) PA 284
- (22) 02/10/2013
- (30) 201108173-4 04/11/2011 SG
- (43)
- (51) Int.C1.8H 05B 33/08
- (54) SYSTEM AND DEVICE FOR DRIVING A PLURALITY OF HIGH POWERED LED UNITS
- (57) A system for driving a plurality of high powered LED units, the system comprising a single driver for providing ripple free constant direct current to a plurality of high powered LED lamp units, wherein the single driver comprises a digital controller programmable to adjust the ripple free constant direct current at every predetermined time interval based on detection and computation of the duration taken for the energy to be discharged to the LED lamp unit to adjust the ripple free constant direct current. The above system achieved a one driver to many LED lamp units such that it alleviates or eliminates the need to have a driver attached to each LED lamp unit.
- (71) OPULENT ELECTRONICS INTERNATIONAL PTE LTD  
22 Sin Ming Lane, #05-79 Midview City, 573969, Singapore.
- (72) WEE, Kai Fook, Francis; STONA, Andrea; TAN, Chye Boon; TAN , Hai Boon and HAN, Soon Thiam.
- (74) Lao Trademark Agency.
- (55)

- (11) No. 334
- (21) PA 334
- (22) 17/11/2014
- (30)
- (43)
- (51) Int.Cl.8C 25C 7/00, C 25C 3/34
- (54) ELECTROLYTIC CELL FOR PRODUCTION OF RARE EARTH METALS
- (57) ກ້ອນຖ່ານເອເລັກໂຕຣນິກສໍາລັບຜະລິດໂລຫະດິນທີ່ຫາຍາກ ຖືກເປີດເຜີຍ. ກ້ອນຖ່ານເອເລັກໂຕຣນິກປະກອບດ້ວຍໂຮງເຮືອນກ້ອນຖ່ານ ສະໜອງດ້ວຍໜຶ່ງ ຫຼື ຫລາຍຊ່ອງງຽງຖືກກະຈາຍໃນພື້ນຂອງໂຮງເຮືອນກ້ອນຖ່ານຕາມໄປເຊິ່ງຊ່ອງໂລຫະດິນທີ່ຫາຍາກຫຼອມລະລາຍຖືກຜະລິດໃນກ້ອນຖ່ານເອເລັກໂຕຣນິກສາມາດລະບາຍ. ໜຶ່ງ ຫຼື ຫລາຍກາໂຕດຖືກລະບັບຊົ່ວຄາວພາຍໃນໂຮງເຮືອນກ້ອນຖ່ານໃນການລຽນທາງຕັ້ງທີ່ສໍາຄັນດ້ວຍໜຶ່ງ ຫຼື ຫລາຍຊ່ອງ. ຕາມລໍາດັບໜ້າພຽງກົງກັນຂ້າມຂອງໜຶ່ງ ຫຼື ຫລາຍກາໂຕດແມ່ນທາງລຸ່ມ ແລະ ງຽງອອກນອກເປັນມຸມຈາກທາງຕັ້ງ. ໜຶ່ງ ຫຼື ຫລາຍຄູ່ຂອງອາໂນດຖືກລະບັບຊົ່ວຄາວພາຍໃນໂຮງເຮືອນກ້ອນຖ່ານ; ແຕ່ລະອາໂນດໃນໜຶ່ງ ຫຼື ຫລາຍຄູ່ປະເຊີນໜ້າກັບໜ້າພຽງງຽງຈາກທາງຕັ້ງ ແລະ ບ່ອນຫວ່າງໃນການລຽນຂະໜານດ້ວຍລໍາດັບກົງກັນຂ້າມມີໜ້າພຽງງຽງຈາກທາງຕັ້ງຂອງໜຶ່ງ ຫຼື ຫລາຍກາໂຕດຫາການລະບຸຄ່າຄົງທີ່ສໍາຄັນອາໂນດ-ກາໂຕດ ໄລຍະຫ່າງນັ້ນລະຫວ່າງ. ກ້ອນຖ່ານເອເລັກໂຕຣນິກຍັງປະກອບດ້ວຍບ່ອນເກັບສໍາລັບການໄດ້ຮັບໂລຫະດິນທີ່ຫາຍາກຫຼອມລະລາຍຈາກຊ່ອງ, ໃນນີ້, ບ່ອນເກັບແມ່ນບ່ອນຫວ່າງ ແລະ ຖືກສະກັດຈາກໜຶ່ງ ຫຼື ຫລາຍກາໂຕດ ແລະ ໜຶ່ງ ຫຼື ຫລາຍອາໂນດ. ການແຍກໂລຫະດິນທີ່ຫາຍາກຫຼອມລະລາຍຈາກກາໂຕດ ແລະ ອາໂນດຫຼືກເວັ້ນການກະທົບ ແລະ/ຫຼື ການເນົ່າເປື້ອຍດ້ວຍກາກບອນທີ່ຫຼົບຫຼືກຂຶ້ນຈາກອາໂນດ ຫຼື ການກະທົບຄືນດ້ວຍອາຍຢຸດ.
- (71) LYNAS SERVICES PTY LTD  
Level 7, 56 Pitt Street, Sydney, New south Wales 2000, Australia.
- (72) KENIRY, Jeffrey and KJAR, Anthony Rudland.
- (74) CONCETTI-LAO CO., LTD.
- (55)

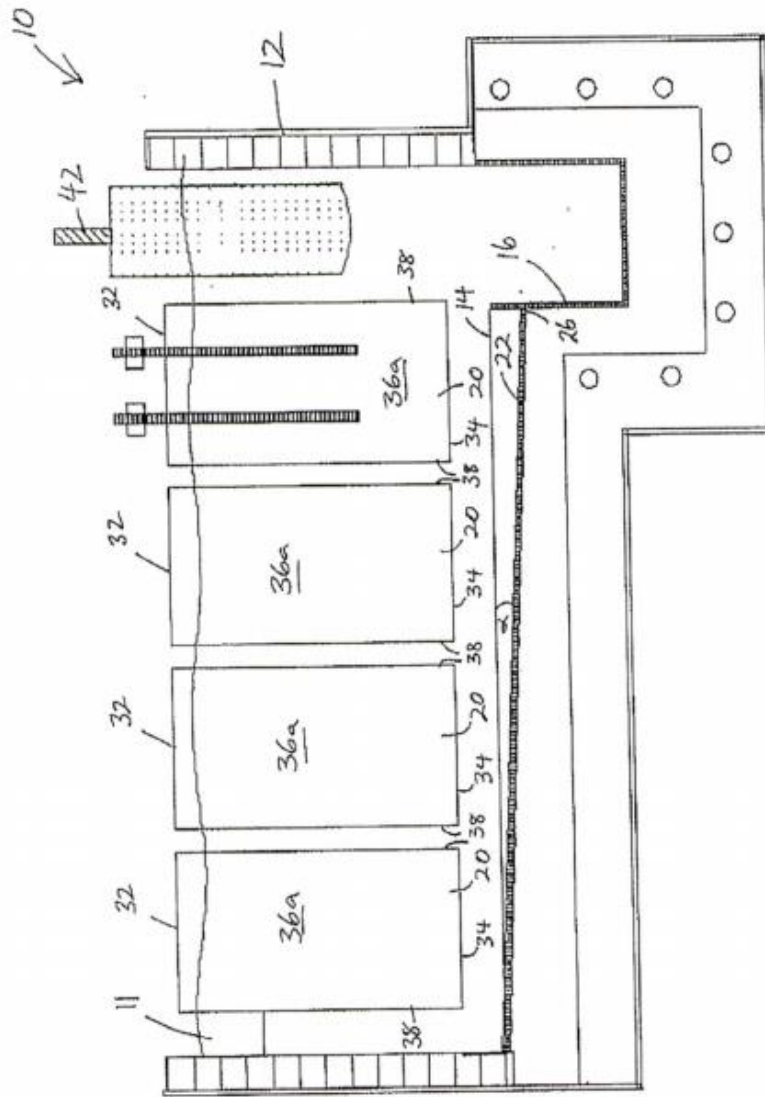


Figure 1

Official Gazette of Industrial Property Vol. 202, 14/04/2023

- (11) No. 354
- (21) PA 354
- (22) 18/03/2015
- (30)
- (43)
- (51) Int.Cl.C 12N 15/09, C 12N 1/21, C 12N 5/10, C 12N 15/63, A 61K 39/29 // (A 61K 39:29, C 12N 1:21, 15:09, 15:63, 5:10 )
- (54) HEPATITIS B VIRUS CORE PROTEIN AND SURFACE ANTIGEN PROTEIN AND VACCINE COMPRISING THE SAME
- (57) ສະໜອງທີ່ນີ້ແມ່ນອາຊີດ ນິວກະເລໂອຕິດ ລຳດັບ ການເຂົ້າລະຫັດ ໄວຣັດອັກເສບຕັບ B ໄວລັດ(HBV) ຫຼັກໂປຼຕິນ, ໜ້າພຽງຕົວຕ້ານໂປຼຕິນ, ພາກສ່ວນຢ່ອຍ ແລະ ການປະສົມປະສານ ເຫຼົ່ານີ້ເຊັ່ນດຽວກັບການກຳມະພັນ/ບັນດາເວັກເຕີ ແລະ ວັກຊີນນັ້ນອະທິບາຍໂປຼຕິນລຳດັບທີ່ກ່າວ. ວັກຊີນແມ່ນສາມາດກະຕຸ້ນການຕອບສະໜອງພູມຄຸ້ມກັນຢ່າງຕໍ່ເວັ້ນໜຶ່ງ ແລະ ໃນຕັບດ້ວຍເຮັດອອກໃຫ້ເຫັນທັງສອງແຊນລຸຍລາ ແລະ ຕົວຂອງແຫຼວສຳລັບຮ່າງກາຍ. ຍັງສະໜອງແມ່ນບັນດາວິທີການສຳລັບການປ້ອງກັນໂລກ ແລະ/ຫຼື ການຮັກສາໂລກ ພູມຕ້ານທານສ່ວນຕົວຕໍ່ HBV.ການປະສົມປະສານວັກຊີນອາດຍັງໄດ້ຖືກນຳ ໃຊ້ສຳລັບພາກສ່ວນອອກແບບວັກຊີນສຳລັບລະດັບສະເພາະຂອງພູມຕ້ານທານຕອບສະໜອງຫາການທຳທາຍ HBV.
- (71) THE TRUSTEES OF THE UNIVERSITY OF PENNSYLVANIA  
3160 Chestnut Street Suite 200 Philadelphia, Pennsylvania 19104-6283,  
United States of America.
- (72) WEINER, David, B; YAN, Jian and OBENG-ADJEI, Nyamekye.
- (74) CONCETTI-LAO CO., LTD.
- (55)

## **ພາກທີ I**

### **(Part I)**

## **ສິດທິຂັດ ແລະ ອະນຸສິດທິຂັດ**

### **(Patent and Petty Patent)**

### **3. ການປ່ຽນແປງ**

#### **(Changes)**



**ພາກທີ I**

**(Part I)**

**ສິດທິບັດ ແລະ ອະນຸສິດທິບັດ**

**(Patent and Petty Patent)**

**4. ການດັດແກ້**

**(Amendments)**

**ພາກທີ II**  
**(Part II)**  
**ແບບອຸດສາຫະກຳ**  
**(Industrial Design)**

**1. ຄຳຮ້ອງ**  
**(Applications)**

**ຄຳອະທິບາຍກ່ຽວກັບລະຫັດຫຍໍ້**  
**(Introduction of Codes)**

- (21) ເລກທີ ຄຳຮ້ອງ (Filing Number)
- (22) ວັນທີ ຄຳຮ້ອງ (Filing Date)
- (30) ວັນທີ ບ ລິມາສິດ (Priority Date)
- (51) ໝວດ (Locarno Classification)
- (54) ຊື່ຂອງແບບອ ດສາຫະກຳ (Title)
- (71) ຊື່ ແລະ ທີ່ຢ ບໍ ຂອງເຈົ້າຂອງ (Owner Name and Address)
- (72) ຊື່ຜູ້ອອກແບບ (Designer Name)
- (74) ຊື່ຕົວແທນ (Representative Name)
- (55) ຮ ບພາບ (Pictures)

## ພາກທີ II

### (Part II)

## ແບບອຸດສາຫະກຳ (Industrial Design)

### 2. ຜົນການຈົດທະບຽນ (Registration)

#### ຄຳອະທິບາຍກ່ຽວກັບລະຫັດຫຍໍ້ (Introduction of Codes)

- (11) ເລກທີ ຈົດທະບຽນ (Registration Number)
- (15) ວັນທີ ຈົດທະບຽນ (Registration Date)
- (21) ເລກທີ ຍືນຄຳຮ້ອງ (Filing Number)
- (22) ວັນທີ ຍືນຄຳຮ້ອງ (Filing Date)
- (30) ວັນທີ ບ ລິມາສິດ (Priority Date)
- (17) ວັນທີ ໝົດອາຍ (Expiration Date)
- (51) ໝວດ (Locarno Classification)
- (54) ຊື່ຂອງແບບອ ຸດສາຫະກຳ (Title)
- (71) ຊື່ ແລະ ທີ່ຢ ບໍ ຂອງເຈົ້າຂອງ (Owner Name and Address)
- (72) ຊື່ຜ ັອອກແບບ (Designer Name)
- (74) ຊື່ຕົວແທນ (Representative Name)
- (55) ຮ ບພາບ (Pictures)

**ພາກທີ II**

**(Part II)**

**ແບບອຸດສາຫະກຳ  
(Industrial Design)**

**3. ການປ່ຽນແປງ**

**(Changes)**

**ພາກທີ II**  
**(Part II)**

**ແບບອຸດສາຫະກຳ**  
**(Industrial Design)**

**4. ການດັດແກ້**  
**(Amendments)**

## ພາກທີ III

### (Part III)

## ເຄື່ອງໝາຍການຄ້າ

### Trademarks

#### 1. ຄໍາຮ້ອງ

#### (Applications)

#### ຄໍາອະທິບາຍກ່ຽວກັບລະຫັດຫຍໍ້

#### (Introduction of Codes)

- (540) ເຄື່ອງໝາຍການຄ້າ (Trademark)
- (511) ໝວດ (Nice Classification)
- (210) ເລກທີ ຄໍາຮ້ອງ (Number of the application)
- (220) ວັນທີ ຄໍາຮ້ອງ (Date of filing of the application)
- (732) ຊື່ ແລະ ທີ່ຢ ບໍ ຂອງຜູ້ຍື່ນຄໍາຮ້ອງ (Name and Address of applicant)

( 540 )

**XDL**

(511) 28

(210) No. 47782

(220) 03/01/2023

(732) Wang Yifan

Room 1, Floor 1, Unit 2, Building 3, No. 21,  
Minqing Street, Daoli District, Harbin,  
Heilongjiang, China.

( 540 )

**片仔癀**  
**PIENTZE HUANG**

(511) 05

(210) No. 47783

(220) 04/01/2023

(732) ZHANGZHOU PIEN TZE HUANG

PHARMACEUTICAL CO., LTD

No. 1, Hupo Road, Xiangcheng District,  
Zhangzhou, Fujian, China.

( 540 )

**KIPPS**

(511) 29 and 30

(210) No. 47784

(220) 04/01/2023

(732) INTERNATIONAL FOODSTUFFS CO.  
LLC

AL-WAHDA STREET, INDUSTRIAL  
AREA NO. 1, P.O. BOX 4115, SHARJAH,  
UNITED ARAB EMIRATES.

( 540 )

**SAAT**

(511) 34

(210) No. 47785

(220) 05/01/2023

(732) Diamond Quest Limited

OMC Chambers, P.O.Box 3152, Road Town,  
Tortola, British Virgin, Islands.



( 540 )

**COCO CRISPYS**

(511) 30

(210) No. 47786

(220) 05/01/2023

(732) INTERNATIONAL FOODSTUFFS CO.  
LLC

AL-WAHDA STREET, INDUSTRIAL  
AREA NO. 1, P.O. BOX 4115 SHARJAH,  
UNITED ARAB EMIRATES.

( 540 )

**RICE N SHINE**

(511) 30

(210) No. 47787

(220) 05/01/2023

(732) INTERNATIONAL FOODSTUFFS CO.  
LLC

AL-WAHDA STREET, INDUSTRIAL  
AREA NO. 1, P.O. BOX 4115 SHARJAH,  
UNITED ARAB EMIRATES.

( 540 )

**RICE POPS**

(511) 30

(210) No. 47788

(220) 05/01/2023

(732) INTERNATIONAL FOODSTUFFS CO.  
LLC

AL-WAHDA STREET, INDUSTRIAL  
AREA NO. 1, P.O. BOX 4115 SHARJAH,  
UNITED ARAB EMIRATES.

( 540 )

**FROSTY FLAKES**

(511) 30

(210) No. 47789

(220) 05/01/2023

(732) INTERNATIONAL FOODSTUFFS CO.  
LLC

AL-WAHDA STREET, INDUSTRIAL  
AREA NO. 1, P.O. BOX 4115 SHARJAH,  
UNITED ARAB EMIRATES.

( 540 )

**CHOCO LAVA**

(511) 30

(210) No. 47790

(220) 05/01/2023

(732) INTERNATIONAL FOODSTUFFS CO.  
LLC

AL-WAHDA STREET, INDUSTRIAL  
AREA NO. 1, P.O. BOX 4115 SHARJAH,  
UNITED ARAB EMIRATES.

( 540 )

**MAMOUL MEDINA**

(511) 30

(210) No. 47791

(220) 05/01/2023

(732) INTERNATIONAL FOODSTUFFS CO.  
LLC

AL-WAHDA STREET, INDUSTRIAL  
AREA NO. 1, P.O. BOX 4115 SHARJAH,  
UNITED ARAB EMIRATES.

( 540 )

**COCO BAE**

(511) 30

(210) No. 47792

(220) 05/01/2023

(732) INTERNATIONAL FOODSTUFFS CO.  
LLC

AL-WAHDA STREET, INDUSTRIAL  
AREA NO. 1, P.O. BOX 4115 SHARJAH,  
UNITED ARAB EMIRATES.

( 540 )

**PAYROLL**

(511) 30

(210) No. 47793

(220) 05/01/2023

(732) INTERNATIONAL FOODSTUFFS CO.  
LLC

AL-WAHDA STREET, INDUSTRIAL  
AREA NO. 1, P.O. BOX 4115 SHARJAH,  
UNITED ARAB EMIRATES.

( 540 )

**SWICH KIDDO**

(511) 30

(210) No. 47794

(220) 05/01/2023

(732) INTERNATIONAL FOODSTUFFS CO.  
LLC

AL-WAHDA STREET, INDUSTRIAL  
AREA NO. 1, P.O. BOX 4115 SHARJAH,  
UNITED ARAB EMIRATES.

( 540 )

**TIFFANY OTTO**

(511) 30

(210) No. 47795

(220) 05/01/2023

(732) INTERNATIONAL FOODSTUFFS CO.  
LLC

AL- WAHDA STREET, INDISTRIAL  
AREA NO, 1, P.O. BOX 4115 SHARJAH,  
UNITED ARAB EMIRATES.

( 540 )

**CALIFRUIT**

(511) 30

(210) No. 47796

(220) 05/01/2023

(732) INTERNATIONAL FOODSTUFFS CO.  
LLC

AL-WAHDA STREET, INDUSTRIAL  
AREA NO. 1, P.O. BOX 4115 SHARJAH,  
UNITED ARAB EMIRATES.

( 540 )

**AIR LIFT**

(511) 30

(210) No. 47797

(220) 05/01/2023

(732) INTERNATIONAL FOODSTUFFS CO.  
LLC

AL-WAHDA STREET, INDUSTRIAL  
AREA NO. 1, P.O. BOX 4115 SHARJAH,  
UNITED ARAB EMIRATES.

( 540 )

**CREMFULL**

(511) 30

(210) No. 47798

(220) 05/01/2023

(732) INTERNATIONAL FOODSTUFFS CO.  
LLC

AL-WAHDA STREET, INDUSTRIAL  
AREA NO. 1, P.O. BOX 4115 SHARJAH,  
UNITED ARAB EMIRATES.

( 540 )

**CREMFUL**

(511) 30

(210) No. 47799

(220) 05/01/2023

(732) INTERNATIONAL FOODSTUFFS CO.  
LLC

AL-WAHDA STREET, INDUSTRIAL  
AREA NO. 1, P.O. BOX 4115 SHARJAH,  
UNITED ARAB EMIRATES.

( 540 )

**BUTTERMOO**

(511) 30

(210) No. 47800

(220) 05/01/2023

(732) INTERNATIONAL FOODSTUFFS CO.  
LLC

AL-WAHDA STREET, INDUSTRIAL  
AREA NO. 1, P.O. BOX 4115 SHARJAH,  
UNITED ARAB EMIRATES.

( 540 )

**CREAMKIST**

(511) 30

(210) No. 47801

(220) 05/01/2023

(732) INTERNATIONAL FOODSTUFFS CO.  
LLC

AL-WAHDA STREET, INDUSTRIAL  
AREA NO. 1, P.O. BOX 4115 SHARJAH,  
UNITED ARAB EMIRATES.



( 540 )

ONE LAST ONE

(511) 30

(210) No. 47802

(220) 05/01/2023

(732) INTERNATIONAL FOODSTUFFS CO.  
LLC

AL-WAHDA STREET, INDUSTRIAL  
AREA NO. 1, P.O. BOX 4115 SHARJAH,  
UNITED ARAB EMIRATES.

( 540 )

HYDRO

(511) 30

(210) No. 47803

(220) 05/01/2023

(732) INTERNATIONAL FOODSTUFFS CO.  
LLC

AL-WAHDA STREET, INDUSTRIAL  
AREA NO. 1, P.O. BOX 4115 SHARJAH,  
UNITED ARAB EMIRATES.

( 540 )

**GAUFRESCO**

(511) 30

(210) No. 47804

(220) 05/01/2023

(732) INTERNATIONAL FOODSTUFFS CO.  
LLC

AL-WAHDA STREET, INDUSTRIAL  
AREA NO. 1, P.O. BOX 4115 SHARJAH,  
UNITED ARAB EMIRATES.

( 540 )

**SNOW CRUSH**

(511) 30

(210) No. 47805

(220) 05/01/2023

(732) INTERNATIONAL FOODSTUFFS CO.  
LLC

AL-WAHDA STREET, INDUSTRIAL  
AREA NO. 1, P.O. BOX 4115 SHARJAH,  
UNITED ARAB EMIRATES.

( 540 )

**POWER UP**

(511) 30

(210) No. 47806

(220) 05/01/2023

(732) INTERNATIONAL FOODSTUFFS CO.  
LLC

AI-WAHDA STREET, INDUSTRIAL  
AREA NO. 1, P.O. BOX 4115 SHARJAH,  
UNITED ARAB EMIRATES.

( 540 )

**FRUIT UP**

(511) 30

(210) No. 47807

(220) 05/01/2023

(732) INTERNATIONAL FOODSTUFFS CO.  
LLC

AL-WAHDA STREET, INDUSTRIAL  
AREA NO. 1, P.O. BOX 4115 SHARJAH,  
UNITED ARAB EMIRATES.

( 540 )

**CONEY ISLAND**

(511) 30

(210) No. 47808

(220) 05/01/2023

(732) INTERNATIONAL FOODSTUFFS CO.  
LLC

AL-WAHDA STREET, INDUSTRIAL  
AREA NO. 1, P.O. BOX 4115 SHARJAH,  
UNITED ARAB EMIRATES.

( 540 )

**WAFEROO BAR**

(511) 30

(210) No. 47809

(220) 05/01/2023

(732) INTERNATIONAL FOODSTUFFS CO.  
LLC

AL-WAHDA STREET, INDUSTRIAL  
AREA NO. 1, P.O. BOX 4115 SHARJAH,  
United Arab Emirates.

( 540 )

**WAFEROO SQUARES**

(511) 30

(210) No. 47810

(220) 05/01/2023

(732) INTERNATIONAL FOODSTUFFS CO.  
LLC

AL-WAHDA STREET, INDUSTRIAL  
AREA NO. 1, P.O. BOX 4115 SHARJAH,  
UNITED ARAB EMIRATES.

( 540 )

**CASA ROSA**

(511) 30

(210) No. 47811

(220) 05/01/2023

(732) INTERNATIONAL FOODSTUFFS CO.  
LLC

AL-WAHDA STREET, INDUSTRIAL  
AREA NO. 1, P.O. BOX 4115 SHARJAH,  
UNITED ARAB EMIRATES.

( 540 )

YUMMY EXTREME NUTS

(511) 30

(210) No. 47812

(220) 05/01/2023

(732) INTERNATIONAL FOODSTUFFS CO.  
LLC

AL-WAHDA STREET, INDUSTRIAL  
AREA NO. 1, P.O. BOX 4115 SHARJAH,  
UNITED ARAB EMIRATES.

( 540 )

LAGOON

(511) 30

(210) No. 47813

(220) 05/01/2023

(732) INTERNATIONAL FOODSTUFFS CO.  
LLC

AL-WAHDA STREET, INDUSTRIAL  
AREA NO. 1, P.O. BOX 4115 SHARJAH,,  
UNITED ARAB EMIRATES.

( 540 )

**GOLD BAR**

(511) 30

(210) No. 47814

(220) 05/01/2023

(732) INTERNATIONAL FOODSTUFFS CO.  
LLC

AL-WAHDA STREET, INDUSTRIAL  
AREA NO. 1, P.O. BOX 4115 SHARJAH,  
UNITED ARAB EMIRATES.

( 540 )

**SWICH KOOKY**

(511) 30

(210) No. 47815

(220) 05/01/2023

(732) INTERNATIONAL FOODSTUFFS CO.  
LLC

AL-WAHDA STREET, INDUSTRIAL  
AREA NO. 1, P.O. BOX 4115 SHARJAH,  
UNITED ARAB EMIRATES.

( 540 )

**PICCADELI BRAVO**

(511) 30

(210) No. 47816

(220) 05/01/2023

(732) INTERNATIONAL FOODSTUFFS CO.  
LLC

AL-WAHDA STREET, INDUSTRIAL  
AREA NO. 1, P.O. BOX 4115 SHARJAH,  
UNITED ARAB EMIRATES.

( 540 )

**FRAINBOW**

(511) 30

(210) No. 47817

(220) 05/01/2023

(732) INTERNATIONAL FOODSTUFFS CO.  
LLC

AL-WAHDA STREET, INDUSTRIAL  
AREA NO. 1, P.O. BOX 4115 SHARJAH,  
UNITED ARAB EMIRATES.



( 540 )

TIFFANY BREAK SPHINX

(511) 30

(210) No. 47818

(220) 05/01/2023

(732) INTERNATIONAL FOODSTUFFS CO.  
LLC

AL-WAHDA STREET, INDUSTRIAL  
AREA NO. 1, P.O. BOX 4115 SIJARJAH,,  
UNITED ARAB EMIRATES.

( 540 )

SWICH NUS NUS

(511) 30

(210) No. 47819

(220) 05/01/2023

(732) INTERNATIONAL FOODSTUFFS CO.  
LLC

AL-WAHDA STREET, INDUSTRIAL  
AREA NO. 1, P.O. BOX 4115 SHARJAH,  
UNITED ARAB EMIRATES.

( 540 )

PICCADELI LUCKY

(511) 30

(210) No. 47820

(220) 05/01/2023

(732) INTERNATIONAL FOODSTUFFS CO.  
LLC

AL-WAHDA STREET, INDUSTRIAL  
AREA NO. 1, P.O. BOX 4115 SHARJAH,  
UNITED ARAB EMIRATES.

( 540 )

MINTELLA

(511) 30

(210) No. 47821

(220) 05/01/2023

(732) INTERNATIONAL FOODSTUFFS CO.  
LLC

AL-WAHDA STREET, INDUSTRIAL  
AREA NO. 1, P.O. BOX 4115 SHARJAH,  
UNITED ARAB EMIRATES.

( 540 )

**TEMPO**

(511) 30

(210) No. 47822

(220) 05/01/2023

(732) INTERNATIONAL FOODSTUFFS CO.  
LLC

AL-WAHDA STREET, INDUSTRIAL  
AREA NO. 1, P.O. BOX 4115 SHARJAH,  
UNITED ARAB EMIRATES.

( 540 )

 **EGGOO**

(511) 12

(210) No. 47823

(220) 05/01/2023

(732) TIANJIN BAIDA TECHNOLOGY CO.,  
LTD.

100 meters north of 112 National Road,  
Panzhuang Village, Panzhuang Town, Ninghe  
District, Tianjin, China.

( 540 )

The logo for SAIGE, featuring a stylized 'S' symbol followed by the word 'SAIGE' in a bold, sans-serif font.

(511) 12

(210) No. 47824

(220) 05/01/2023

(732) TIANJIN BAIDA TECHNOLOGY CO.,  
LTD.

100 meters north of 112 National Road,  
Panzhuang village, Panzhuang Town, Ninghe  
District Tianjin , China.

( 540 )

The logo for RANDM, featuring the word 'RANDM' in a stylized, hand-drawn font.

(511) 34

(210) No. 47825

(220) 05/01/2023

(732) SHENZHEN FUMOT TECHNOLOGY CO.,  
LIMITED

A2907, Block A, Longguang Jiuzuan  
Business Center, Tenglong Road, Daling  
Community, Minzhi Street, Longhua District  
Shenzhen City, China.

( 540 )



(511) 03 and 05

(210) No. 47826

(220) 05/01/2023

(732) ບໍລິສັດ ໂອ້ໂຫ ລາວ ການຄ້າ ຈຳກັດຜູ້ດຽວ  
ບ້ານ ນາບຽນ, ເມືອງ ໄຊເສດຖາ,  
ນະຄອນຫຼວງວຽງຈັນ, ສປປ ລາວ.

( 540 )



(511) 35

(210) No. 47827

(220) 05/01/2023

(732) ບໍລິສັດ ສີສິມບັດ ພາວເວີ ຈຳກັດຜູ້ດຽວ  
ບ້ານ ໂພນຜະເນົາ, ເມືອງ ໄຊເສດຖາ,  
ນະຄອນຫຼວງວຽງຈັນ, ສປປ ລາວ.

( 540 )



(511) 30 and 35

(210) No. 47828

(220) 05/01/2023

(732) ບໍລິສັດ ອ່ອນຄຳຈະເລີນການຄ້າ ຂາອອກ-ຂາເຂົ້າ  
ຈຳກັດຜູ້ດຽວ (ທ່ານ ໄໝອອ່ນ ແກ້ວມະນີ)  
ບ້ານ ຊຽງເກົ້າ, ເມືອງ ລອງ, ແຂວງ ຫຼວງນໍ້າທາ,  
ສປປ ລາວ.

( 540 )



(511) 34

(210) No. 47829

(220) 05/01/2023

(732) ບໍລິສັດ ຢາສຸບລາວທຽນຫຼິງ ຈຳກັດ  
ບ້ານ ບໍ່ປຽດ, ເມືອງ ຫຼວງນໍ້າທາ, ແຂວງ ຫຼວງນໍ້າທາ,  
ສປປ ລາວ.

( 540 )



(511) 09

(210) No. 47830

(220) 06/01/2023

(732) Shenzhen KeliXun Electronics Co. , Ltd.  
No. 401, No. 142-5 Jun Xin Road, Niu Hu  
Community, Guanlan Street, Longhua  
District, Shenzhen, China.

( 540 )



(511) 09, 35, 39 and 43

(210) No. 47831

(220) 06/01/2023

(732) Delivery Hero SE  
Oranienburger StraBe 70, 10117 Berlin,  
Germany.

( 540 )



(511) 03

(210) No. 47832

(220) 09/01/2023

(732) 4U2 Co CO., LTD.

98/36 Moo 3, Salaya, Phutthamonthon,  
Nakhon Pathom, Thailand.

( 540 )



(511) 05

(210) No. 47833

(220) 09/01/2023

(732) ZHIGUO XU

103, Block 4, Hubinxincheng, Gulou District,  
Fuzhou City, Fujian, China.



( 540 )



(511) 03

(210) No. 47834

(220) 10/01/2023

(732) ບໍລິສັດ ຫວນເວີຍ ການຄ້າ ຂາເຂົ້າ-ຂາອອກ

ຈໍາກັດຜູ້ດຽວ

ບ້ານສີສະຫວາດ, ເມືອງຈັນທະບູລີ,

ນະຄອນຫຼວງວຽງຈັນ, ສປປ ລາວ.

( 540 )

FRIENDSHIP

(511) 32

(210) No. 47836

(220) 11/01/2023

(732) Royal Mile Pte Ltd.

16 Raffles Quay #33-03, Hong Leong  
Building, Singapore 048581 (Singapore  
company registration number /Unique Entity  
Number (UEN) : 202238242D), Singapore.

( 540 )

**FRIENDSHIP**

(511) 33

(210) No. 47837

(220) 11/01/2023

(732) Royal Mile Pte Ltd.

16 Raffles Quay #33-03, Hong Leong

Building Singapore &8581 (Singapore

company registration number /Unique Entity

Number (UEN) : 202238242D), Singapore.

( 540 )

**CLOUD SEVEN**

(511) 32

(210) No. 47838

(220) 11/01/2023

(732) Royal Mile Pte Ltd.

16 Raffles Quay #33-03, Hong Leong

Building, Singapore 048581 (Singapore

company registration number /Unique Entity

Number (UEN): 202238242D), Singapore.

( 540 )

**CLOUD SEVEN**

(511) 33

(210) No. 47839

(220) 11/01/2023

(732) Royal Mile Pte Ltd.

16 Raffles Quay #33-03, Hong Leong

Building, Singapore 048581 (Singapore

company registration number /Unique Entity

Number (UEN) : 2O2238242D), Singapore.

( 540 )

**BUBLY**

(511) 32

(210) No. 47840

(220) 11/01/2023

(732) Royal Mile Pte Ltd.

16 Raffles Quay #33-03, Hong Leong

Building, Singapore 048581 (Singapore

company registration number /Unique Entity

Number (UEN) : 2O2238242D), Singapore.

( 540 )

**BUBLY**

(511) 33

(210) No. 47841

(220) 11/01/2023

(732) Royal Mile Pte Ltd.

16 Raffles Quay #33-03, Hong Leong  
Building, Singapore 048581 (Singapore  
company registration number /Unique Entity  
Number (UEN) : 202238242D), Singapore.

( 540 )

**HARDCORINDO**

(511) 33

(210) No. 47842

(220) 11/01/2023

(732) Royal Mile Pte Ltd.

16 Raffles Quay #33-03, Hong Leong  
Building, Singapore 048581 (Singapore  
company registration number /Unique Entity  
Number (UEN) : 202238242D), Singapore.

( 540 )



(511) 09

(210) No. 47843

(220) 11/01/2023

(732) Wuhan Hongshan District Qinfen Sports Goods Firm  
Room 501, Unit 2, Building 3, Phase 1,  
Rainbow County, Hongshan District, Wuhan City, China.

( 540 )



(511) 31

(210) No. 47847

(220) 11/01/2023

(732) ບໍລິສັດ ຝິງອານ ສິ່ງເສີມກະສິກໍາ ຂາເຂົ້າ-ຂາອອກ  
ຈໍາກັດ.  
ບ້ານ ປາກກໍ, ເມືອງ ຫຼາ, ແຂວງ ອຸດົມໄຊ, ສປປ ລາວ.

( 540 )

**imPRESS**

(511) 03

(210) No. 47848

(220) 11/01/2023

(732) KISS NAIL PRODUCTS, INC.

25 HARBOR PARK DRIVE, PORT  
WASHINGTON, NEW YORK 11050,  
UNITED STATES OF AMERICA.

( 540 )

**Saimangkorn**

(511) 44

(210) No. 47849

(220) 12/01/2023

(732) ໂຮງໝໍ ໄຊມັງກອນ ສາກົນ ສ່ວນບຸກຄົນ

ບ້ານ ປ່າສັກ, ເມືອງ ໄຊ, ແຂວງ ອຸດົມໄຊ, ສປປ ລາວ.

( 540 )

ໄຊມັງກອນ

(511) 44

(210) No. 47850

(220) 12/01/2023

(732) ໂຮງໝໍ ໄຊມັງກອນ ສາກົນ ສ່ວນບຸກຄົນ

ບ້ານ ປ່າສັກ, ເມືອງ ໄຊ, ແຂວງ ອຸດົມໄຊ, ສປປ ລາວ.

( 540 )

NEORUBIN

(511) 10

(210) No. 47851

(220) 12/01/2023

(732) RECOVE GROUP SDN. BHD.

TGB-09 Block B, PUSTEK 2, UKM-MTDC

Technology Centre, Universiti Kebangsaan

Malaysia, 43600 Bangi, Selangor, Malaysia.

( 540 )



(511) 03, 05, 16 and 35

(210) No. 47852

(220) 12/01/2023

(732) ບໍລິສັດ ຟິຕີລາວ ຈຳກັດຜູ້ດຽວ  
ບ້ານ ໂຊກນ້ອຍ, ເມືອງ ໄຊເສດຖາ,  
ນະຄອນຫຼວງວຽງຈັນ, ສປປ ລາວ.

( 540 )

**LEM.ASS**

(511) 09, 11, 37 and 42

(210) No. 47853

(220) 12/01/2023

(732) LEYARD OPTOELECTRONIC CO., LTD.  
No.9, Zhenghongqi West Street, North  
Summer Palace, Haidian District, Beijing,  
China.



( 540 )



(511) 07

(210) No. 47854

(220) 13/01/2023

(732) Yadea Technology Group Co., Ltd.

Dongsheng Road, Dacheng Industrial Zone,  
Anzhen Town, Xishan District, Wuxi City,  
Jiangsu province, China.

( 540 )



(511) 34

(210) No. 47855

(220) 13/01/2023

(732) Unique Shield Sdn Bhd

No.68-3A, Jalan Pasar, 41400 Klang,  
Selangor Darul Ehsan, Malaysia.

( 540 )

**ZEENI**



(511) 25

(210) No. 47856

(220) 13/01/2023

(732) GUANGZHOU ZEENI TECHNOLOGY  
CO., LTD

RM.12,5/F, No.24 Dayuantian New Road,  
Dayuan Street, Baiyun District, Guangzhou,  
China.

( 540 )

**扫堂腿**  
SAOTANGTUI

(511) 43

(210) No. 47858

(220) 13/01/2023

(732) BEIJING ONEPIECE FOOD  
TECHNOLOGY CO., LTD.

Room 501-2203, Office Building,  
Development Zone, No. 8, Xingsheng South  
Road, Economic Development Zone, Miyun  
District, Beijing, China.

( 540 )



(511) 15

(210) No. 47860

(220) 16/01/2023

(732) ບໍລິສັດ ອາໂຫຼລາວ ການຄ້າ ຂາອອກ-ຂາເຂົ້າ ຈຳກັດ  
ບ້ານສີດຳດວນ ເມືອງຈັນທະບູລີ,  
ນະຄອນຫຼວງວຽງຈັນ, ສປປ ລາວ.

( 540 )



(511) 12

(210) No. 47861

(220) 16/01/2023

(732) Zhejiang Qianjiang Motorcycle Co., Ltd.  
Economic & Development Zone, Wenling,  
Zhejiang Province, China.

( 540 )



(511) 18

(210) No. 47862

(220) 17/01/2023

(732) Yuchun Xia

2/F, Ku'er Baobei, chengdong Community,  
Taoyuan Road, Shaoyang city, Hunan  
province, China.

( 540 )



(511) 35

(210) No. 47863

(220) 17/01/2023

(732) Great Wall Motor Company Limited

2266 Chaoyang South Street, Baoding,  
071000 Hebei, China.

( 540 )

**BeyondECO**

(511) 06

(210) No. 47864

(220) 17/01/2023

(732) BAOSHAN IRON & STEEL CO., LTD.

885 Fujin Road, Baoshan District, Shanghai,  
China.

( 540 )



(511) 06, 17, 40, 41 and 42

(210) No. 47865

(220) 17/01/2023

(732) ບໍລິສັດ ລ້ານຊ້າງ ມິເນໂຣນສ໌ ລິມິເຕັດ

ບ້ານ ໂພນສິນວນ, ເມືອງ ສີສັດຕະນາກ,  
ນະຄອນຫຼວງວຽງຈັນ, ສປປ ລາວ.

( 540 )



(511) 06, 17, 40, 41 and 42

(210) No. 47866

(220) 17/01/2023

(732) ບໍລິສັດ ລ້ານຊ້າງ ມິເນໂຣນສ໌ ລິມິເຕັດ  
ບ້ານ ໂພນສິນວນ, ເມືອງ ສີສັດຕະນາກ,  
ນະຄອນຫຼວງວຽງຈັນ, ສປປ ລາວ.

( 540 )



(511) 39

(210) No. 47867

(220) 17/01/2023

(732) ບໍລິສັດ ວິເທ ທຣານສະປອດເທເຊີນ ດີວີລິບເມັ້ນ  
ຈຳກັດຜູ້ດຽວ  
ບ້ານ ໄຊມຸງຄຸນ, ເມືອງ ນາຊາຍທອງ,  
ນະຄອນຫຼວງວຽງຈັນ, ສປປ ລາວ.

( 540 )



(511) 39

(210) No. 47868

(220) 18/01/2023

(732) ບໍລິສັດ ຫວນເວີຍ ການຄ້າ ຂາເຂົ້າ-ຂາອອກ  
ຈຳກັດຜູ້ດຽວ  
ບ້ານສີສະຫວາດ, ເມືອງຈັນທະບູລີ,  
ນະຄອນຫຼວງວຽງຈັນ, ສປປ ລາວ.

( 540 )



(511) 43

(210) No. 47869

(220) 18/01/2023

(732) ບໍລິສັດ ຫວນເວີຍ ການຄ້າ ຂາເຂົ້າ-ຂາອອກ  
ຈຳກັດຜູ້ດຽວ  
ບ້ານສີສະຫວາດ, ເມືອງຈັນທະບູລີ,  
ນະຄອນຫຼວງວຽງຈັນ, ສປປ ລາວ.

( 540 )



(511) 09

(210) No. 47870

(220) 18/01/2023

(732) TWINS SPECIAL Co., LTD.

7/2-3 Moo 10 Soi Phuyodying,

Suanluangruamjai Rd., Suanluang, Krathum

Baen, Samutsakhon 74110, Thailand.

( 540 )



(511) 25

(210) No. 47871

(220) 18/01/2023

(732) TWINS SPECIAL CO., LTD.

7/2-3 Moo 10 Soi Phuyodying,

suanluangruamjai Rd., Suanluang, Krathum

Baen, Samutsakhon' 74110, Thailand.



( 540 )



(511) 28

(210) No. 47872

(220) 18/01/2023

(732) TWINS SPECIAL CO., LTD.

7/2-3 Moo 10 Soi Phuyodying,

Suanluangruamjai Rd., Suanluang, Krathum

Baen, Samutsakhon' 74110, Thailand.

( 540 )



(511) 32

(210) No. 47873

(220) 19/01/2023

(732) Portfolio Concentrate Solutions Unlimited  
Company

5 Eastgate Road, Eastgate Business Park,

Little Island, Co. Cork, Ireland.

( 540 )



(511) 35

(210) No. 47874

(220) 20/01/2023

(732) ບໍລິສັດ ຜັດພານິດ456 ການຄ້າ ຂາເຂົ້າ-ຂາອອກ  
ຈຳກັດຜູ້ດຽວ  
ບ້ານ ວຽງຈະເລີນ ເມືອງ ໄຊເສດຖາ,  
ນະຄອນຫຼວງວຽງຈັນ, ສປປ ລາວ.

( 540 )



(511) 36

(210) No. 47875

(220) 20/01/2023

(732) ທະນາຄານ ຜັດທະນາລາວ ຈຳກັດ  
ບ້ານ ສີຫອມ, ເມືອງ ຈັນທະບູລີ,  
ນະຄອນຫຼວງວຽງຈັນ, ສປປ ລາວ.

( 540 )



(511) 36 and 42

(210) No. 47876

(220) 20/01/2023

(732) ທະນາຄານ ພັດທະນາລາວ ຈຳກັດ  
ບ້ານ ສີຫອມ, ເມືອງ ຈັນທະບູລີ,  
ນະຄອນຫຼວງວຽງຈັນ, ສປປ ລາວ.

( 540 )



(511) 36 and 42

(210) No. 47877

(220) 20/01/2023

(732) ທະນາຄານ ພັດທະນາລາວ ຈຳກັດ  
ບ້ານ ສີຫອມ, ເມືອງ ຈັນທະບູລີ,  
ນະຄອນຫຼວງວຽງຈັນ, ສປປ ລາວ.

( 540 )

**Cocopalm**

(511) 34

(210) No. 47878

(220) 20/01/2023

(732) CHINA TOBACCO GUANGDONG  
INDUSTRIAL CO., LTD.

8th-16th Floor, No. 186, Linhexiheng Road,  
Tianhe, Guangzhou, China.

( 540 )



(511) 34

(210) No. 47879

(220) 20/01/2023

(732) CHINA TOBACCO GUANGDONG  
INDUSTRIAL CO., LTD.

8th-16th Floor, No. 186, Linhexiheng Road,  
Tianhe, Guangzhou, China.

( 540 )



(511) 12

(210) No. 47880

(220) 20/01/2023

(732) ບໍລິສັດ ເຄຕິຟີ ການຄ້າຂາອອກ-ຂາເຂົ້າ ຈຳກັດຜູ້ດຽວ  
ບ້ານ ຫ້ວຍນ້ຳເຢັນ ເມືອງ ນາຊາຍທອງ,  
ນະຄອນຫຼວງວຽງຈັນ, ສປປ ລາວ.

( 540 )

Panda Pick

(511) 16 and 35

(210) No. 47881

(220) 23/01/2023

(732) Delivery Hero SE  
Oranienburger StraBe 70, 10117 Berlin,  
Germany.

( 540 )



(511) 16 and 35

(210) No. 47882

(220) 23/01/2023

(732) Delivery Hero SE

Oranienburger StraBe 70, 10117 Berlin,  
Germany.

( 540 )



(511) 16 and 35

(210) No. 47883

(220) 23/01/2023

(732) Delivery Hero SE

Oranienburger StraBe 70, 10117 Berlin ,  
Germany.

( 540 )



(511) 05

(210) No. 47884

(220) 23/01/2023

(732) ທ່ານ ຈານຄຳຜັນ ຈິນທະບັນຍາ  
ແຂວງ ບໍລິຄຳໄຊ, ສປປ ລາວ.

( 540 )

The image shows the Chinese characters '长城' (Great Wall) in a bold, black, stylized font.

(511) 34

(210) No. 47885

(220) 23/01/2023

(732) CHINA TOBACCO SICHUAN

INDUSTRIAL CO., LTD.

No. 2 Longquan section, Chenglong Avenue,  
National Chengdu Economy and Technology  
Development Area, Longquanyi District,  
Chengdu City, Sichuan Province, People's  
Republic, China.

( 540 )

**ZA 71**

(511) 29

(210) No. 47886

(220) 23/01/2023

(732) KARAN BEEF PROPRIETARY) LIMITED

32 Merino Avenue, City Deep, Gauteng,  
Republic, South Africa.

( 540 )

**PHINIA**

(511) 07, 09 and 12

(210) No. 47887

(220) 24/01/2023

(732) BorgWarner Inc.

3850 Hamlin Road, Auburn Hills, Michigan  
48326, United States of America.



( 540 )



Handee ແຮນດີ

(511) 35

(210) No. 47888

(220) 25/01/2023

(732) ບໍລິສັດ ແຮນດີ ຈຳກັດ

ບ້ານ:ໂພນທັນ, ເມືອງ:ໄຊເສດຖາ,  
ນະຄອນຫຼວງວຽງຈັນ, ສປປ ລາວ.

( 540 )



HUDA

(511) 12

(210) No. 47889

(220) 25/01/2023

(732) ບໍລິສັດ ເຄດີຟີ ການຄ້າຂາອອກ-ຂາເຂົ້າ ຈຳກັດຜູ້ດຽວ

ບ້ານ ຫ້ວຍນ້ຳເຢັນ, ເມືອງ ນາຊາຍທອງ,  
ນະຄອນຫຼວງວຽງຈັນ, ສປປ ລາວ.

( 540 )

VIANI

(511) 05

(210) No. 47890

(220) 25/01/2023

(732) Mylan Laboratories Limited

Plot No. 564/A/22, Road No.92, Jubilee  
Hills, Hyderabad - 500 034, India.

( 540 )

**Srifa**  
Bakery

(511) 30

(210) No. 47891

(220) 26/01/2023

(732) Srifa Frozen Food Co., Ltd

208-209 Moo 3, Wangkanai Sub-district,  
Thamuang District, Kanchanaburi 71110,  
Thailand.

( 540 )



(511) 35 and 39

(210) No. 47892

(220) 27/01/2023

(732) ບໍລິສັດ ລາວເຈທິ ຂົນສົ່ງດ່ວນ ຈຳກັດຜູ້ດຽວ  
ບ້ານ ດົງນາໂຊກ, ເມືອງ ສີໂຄດຕະບອງ,  
ນະຄອນຫຼວງວຽງຈັນ, ສປປ ລາວ.

( 540 )



(511) 35 and 39

(210) No. 47893

(220) 27/01/2023

(732) ບໍລິການ ລາວເຈທິ ຂົນສົ່ງດ່ວນ ຈຳກັດຜູ້ດຽວ  
ບ້ານ ດົງນາໂຊກ, ເມືອງ ສີໂຄດຕະບອງ,  
ນະຄອນຫຼວງວຽງຈັນ, ສປປ ລາວ.

( 540 )



(511) 12

(210) No. 47894

(220) 27/01/2023

(732) ບໍລິສັດ ເຄອິສະຕາ ນໍາເຂົ້າ ແລະ ສົ່ງອອກ ຈໍາກັດຜູ້ດຽວ  
ບ້ານ ທາດຫຼວງໃຕ້ ເມືອງ ໄຊເສດຖາ,  
ນະຄອນຫຼວງວຽງຈັນ, ສປປ ລາວ.

( 540 )



(511) 12

(210) No. 47895

(220) 27/01/2023

(732) ບໍລິສັດ ເຄອິສະຕາ ນໍາເຂົ້າ ແລະ ສົ່ງອອກ ຈໍາກັດຜູ້ດຽວ  
ບ້ານ ທາດຫຼວງໃຕ້ ເມືອງ ໄຊເສດຖາ,  
ນະຄອນຫຼວງວຽງຈັນ, ສປປ ລາວ.

( 540 )



(511) 43

(210) No. 47896

(220) 30/01/2023

(732) ບໍລິສັດ ລາວເທົາເປົາ ຈີ.ພີ.ດັບເປັນຢູ່ ອີ-ບົວຊິນນິດ  
ເທຣດ ອິມພອດ-ເອັກພອດ ຈຳກັດ  
ບ້ານ ໜອງສະໂນຄຳ ເມືອງ ສີໂຄດຕະບອງ,  
ນະຄອນຫຼວງວຽງຈັນ, ສປປ ລາວ.

( 540 )



(511) 29

(210) No. 47897

(220) 30/01/2023

(732) ບໍລິສັດ ລາວເທົາເປົາ ຈີ.ພີ.ດັບເປັນຢູ່ ອີ-ບົວຊິນນິດ  
ເທຣດ ອິມພອດ-ເອັກພອດ ຈຳກັດ  
ບ້ານ ໜອງສະໂນຄຳ ເມືອງ ສີໂຄດຕະບອງ,  
ນະຄອນຫຼວງວຽງຈັນ, ສປປ ລາວ.

( 540 )



(511) 30

(210) No. 47898

(220) 30/01/2023

(732) ໂຮງງານປຸງແຕ່ງ ຊາ ບຸນຈັນ ລວນລາຍ  
ບ້ານ ນ້ຳມ່ານ້ອຍ, ເມືອງຍອດອູ, ແຂວງຜົ້ງສາລີ,  
ສປປ ລາວ.

( 540 )

**Dr.PONG<sup>+</sup>**

(511) 03

(210) No. 47899

(220) 30/01/2023

(732) FIRST CLASS INNOVATION Co., LTD.  
26/4, Soi Chalermsook, Chankaseam,  
Chatuchak, Bangkok 10900, Thailand.

( 540 )

**Dr.PONG<sup>+</sup>**

(511) 05

(210) No. 47900

(220) 30/01/2023

(732) FIRST CLASS INNOVATION CO., LTD  
2614, Soi Chalermsook, Chankaseam,  
Chatuchak, Bangkok 10900, Thailand.

( 540 )



(511) 15

(210) No. 47901

(220) 30/01/2023

(732) ບໍລິສັດ ຈິນດາພອນ ເອເລັກໂທນິກ ຈຳກັດ  
ບ້ານ ທາດຫຼວງເໜືອ, ເມືອງ ໄຊເສດຖາ,  
ນະຄອນຫຼວງວຽງຈັນ, ສປປ ລາວ.

( 540 )

**LALIO**

(511) 03

(210) No. 47903

(220) 31/01/2023

(732) Ms. Rossukon Naknakorn

168/51 Baan Klang Krung Office Park

Ladprao 71, Nakniwat Road, Lat Phrao, Lat

Phrao, Bangkok 10230, Thailand.

( 540 )

**GOLDEN FOAM**

(511) 29, 30 and 32

(210) No. 47906

(220) 31/01/2023

(732) Starbucks Corporation

2401 Utah Avenue South, Seattle,

Washington, 98134,

United States of America.



( 540 )



(511) 30

(210) No. 47907

(220) 31/01/2023

(732) ວິສາຫະກິດ ວັງວຽງກະສິກຳ ແລະ ກາເຟ  
ບ້ານ ນ້ຳແປ ເມືອງ ວັງວຽງ , ແຂວງ ວຽງຈັນ,  
ສປປ ລາວ.

## ພາກທີ III

### (Part III)

## ເຄື່ອງໝາຍການຄ້າ

### Trademarks

## 2. ຜົນການຈົດທະບຽນ

### (Registration)

#### ຄຳອະທິບາຍກ່ຽວກັບລະຫັດຫຍໍ້

#### (Introduction of Codes)

- (540) ເຄື່ອງໝາຍການຄ້າ (Trademark)
- (511) ໝວດ (Nice Classification)
- (210) ເລກທີ ຄຳຮ້ອງ (Number of the application)
- (220) ວັນທີ ຄຳຮ້ອງ (Date of filing of the application)
- (732) ຊື່ ແລະ ທີ່ຢ ບໍ ຂອງຜູ້ຍື່ນຄຳຮ້ອງ (Name and Address of applicant)
- (111) ເລກທີ ການຈົດທະບຽນເຄື່ອງໝາຍການຄ້າ (Number of the registration)
- (180) ວັນໝົດອາຍ ຂອງການຈົດທະບຽນ (Expiration date of the registration)

## ພາກທີ III

### (Part III)

## ເຄື່ອງໝາຍການຄ້າ

### Trademarks

### 3. ການຕໍ່ອາຍ

#### (Renewal)

#### ຄຳອະທິບາຍກ່ຽວກັບລະຫັດຫຍໍ້

##### (Introduction of Codes)

- (540) ເຄື່ອງໝາຍການຄ້າ (Trademark)
- (511) ໝວດ (Nice Classification)
- (210) ເລກທີ ຄຳຮ້ອງ (Number of the application)
- (220) ວັນທີ ຄຳຮ້ອງ (Date of filing of the application)
- (732) ຊື່ ແລະ ທີ່ຢ ບໍ ຂອງຜູ້ຍື່ນຄຳຮ້ອງ (Name and Address of applicant)
- (111) ເລກທີການຈັດທະບຽນເຄື່ອງໝາຍການຄ້າ (Number of the registration)
- (180) ການຕໍ່ ອາຍ ການຈັດທະບຽນ (Expiration date of the renewal)

**ພາກທີ III**  
**(Part III)**

**ເຄື່ອງໝາຍການຄ້າ**  
**Trademarks**

**4. ການປ່ຽນແປງ**  
**(Changes)**

**ພາກທີ III**

**(Part III)**

**ເຄື່ອງໝາຍການຄ້າ**

**Trademarks**

**5. ການດັດແກ້**

**(Amendments)**

## ພາກທີ IV

### (Part IV)

## ເຄື່ອງໝາຍການຄ້າຜ່ານລະບົບມາດຣິດ

### Trademarks via Madrid Protocol

#### 1. ຄໍາຮ້ອງ

#### (Applications)

##### ຄໍາອະທິບາຍກ່ຽວກັບລະຫັດຫຍໍ້

##### (Introduction of Codes)

- (540) ເຄື່ອງໝາຍການຄ້າ (Trademark)
- (511) ໝວດ (Nice Classification)
- (210) ເລກທີ ຄໍາຮ້ອງ (Number of the application)
- (220) ວັນທີ ຄໍາຮ້ອງ (Date of filing of the application)
- (732) ຊື່ ແລະ ທີ່ຢ ບໍ ຂອງຜູ້ຍື່ນຄໍາຮ້ອງ (Name and Address of applicant)

( 540 )

**REMINISCENCE**

(511) 03, 14 and 18

(210) No. M/0615795

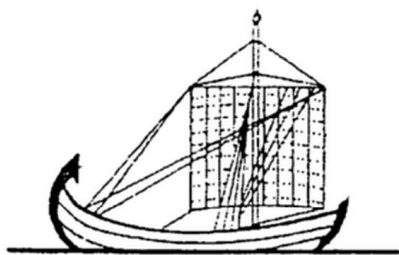
(220) 07/02/2023

(732) MONACO HOME LUXURY TRADE SARL

1 rue du Gabian MC-98000 Monaco

( 540 )

**ACQUA**  
DELL'  
**ELBA**



(511) 03, 04, 05, 24 and 25

(210) No. M/1327852

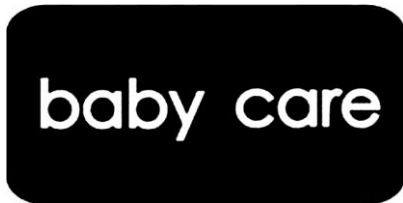
(220) 17/02/2023

(732) FABIO MURZI

Loc. Timonaia I-57033 MARCIANA

MARINA (LIVORNO), Italy

( 540 )



(511) 03, 05, 07, 08, 09, 10, 11, 12, 16, 18, 20, 21,  
24, 25, 27, 28 and 35

(210) No. M/1512426

(220) 27/02/2023

(732) Hangzhou Babycare Industrial Co., Ltd.  
Room 202, Building 1, No. 611 Jianghong  
Road, Changhe Subdistrict, Binjiang District,  
Hangzhou Zhejiang, China

( 540 )

**COLOSIGG**

(511) 05, 29, 30 and 35

(210) No. M/1519228

(220) 22/12/2022

(732) VITADAIRY VIETNAM JOINT STOCK  
COMPANY  
99 Nguyen Thi Minh Khai street, Ben Thanh  
Ward, 1 District Ho Chi Minh City, Vietnam



( 540 )



(511) 02

(210) No. M/1536625

(220) 13/01/2023

(732) Seiko advance Ltd.

2-27-5, Minami-ikebukuro, Toshima-ku

Tokyo 171-0022, Japan

( 540 )



(511) 16

(210) No. M/1539090

(220) 10/01/2023

(732) HONG HA STATIONERY JOINT STOCK  
COMPANY

25, Ly Thuong Kiet, Phan Chu Trinh ward,

Hoan Kiem district Ha Noi city, Vietnam

( 540 )



(511) 45

(210) No. M/1685726

(220) 14/03/2023

(732) Generali Global Assistance, Inc.

Suite 1000, 4330 East West highway

Bethesda MD 20814,

United States Of America

( 540 )

**PEIMAR**

(511) 09

(210) No. M/1701173

(220) 13/03/2023

(732) PEIMAR S.r.l.

Via Cefalonia 70 I-25124 Brescia, Italy

( 540 )

/// PEIMAR

(511) 09

(210) No. M/1701408

(220) 13/03/2023

(732) PEIMAR S.r.l.

Via Cefalonia 70 I-25124 Brescia, Italy

( 540 )



(511) 09, 28, 41 and 42

(210) No. M/1720812

(220) 02/11/2022

(732) EGT DIGITAL LTD.

6, "Panorama Sofia" Str., Business Center

"Richhill", block A BG-1766 Sofia, Bulgaria

( 540 )



(511) 09, 28, 41 and 42

(210) No. M/1720851

(220) 02/11/2022

(732) EGT DIGITAL LTD.

6, "Panorama Sofia" Str., Business Center

"Richhill", block A BG-1766 Sofia, Bulgaria

( 540 )



(511) 25

(210) No. M/1720953

(220) 22/12/2022

(732) CANIFA JOINT STOCK COMPANY

688 Quang Trung Street, La Khe Ward, Ha

Dong District Hanoi City, Vietnam

( 540 )



(511) 09

(210) No. M/1720965

(220) 16/02/2023

(732) ZENITH GLOBAL MANAGEMENT LLC

Suite 9, Henville Building, P.O. Box 590

Charlestown, Nevis, Saint Kitts And Nevis

( 540 )



(511) 09

(210) No. M/1721020

(220) 01/02/2023

(732) ASH Asia International Ltd.

62 Millennia Tower 23rd Floor, Room 2301,

2303-2304, Langsuan Rd., Lumpini 10330

Pathumwan, Bangkok, Thailand

( 540 )



(511) 05

(210) No. M/1721108

(220) 10/02/2023

(732) YANTAI DONGCHENG BIOCHEMICALS  
CO., LTD.

No. 7, Changbaishan Road, Yantai  
Development Zone, Yantai 264000  
Shandong, China

( 540 )

**ILOVEPDF**

(511) 42

(210) No. M/1721111

(220) 09/01/2023

(732) ILOVEPDF, S.L.

Sabino Arana 60, Local 2 E-08028 Barcelona,  
Spain

( 540 )

**Burning Ocean**

(511) 09, 28 and 41

(210) No. M/1721112

(220) 23/11/2022

(732) Društvo za trgovija i uslugi EVRO GEJMS

TEHNOLODŽI DOOEL Skopje

Ul. Boris Trajkovski br.214 A 1000 Skopje,

Macedonia, Republic Of The Former Yugoslav

( 540 )

**Burning Aces**

(511) 09, 28 and 41

(210) No. M/1721113

(220) 23/11/2022

(732) Društvo za trgovija i uslugi EVRO GEJMS

TEHNOLODŽI DOOEL Skopje

Ul. Boris Trajkovski br.214 A 1000 Skopje,

Macedonia, Republic Of The Former Yugoslav

( 540 )

**oppolife**

(511) 28

(210) No. M/1721243

(220) 07/12/2022

(732) GUANGDONG OPPO MOBILE

TELECOMMUNICATIONS CORP., LTD.

No. 18 Haibin Road, Wusha, Chang'an,

Dongguan Guangdong, China

( 540 )

 **LEALPUMPE**

(511) 07

(210) No. M/1721252

(220) 17/02/2023

(732) THAI PINNACLE ENGINEERING

CO.,LTD.

168/22 MOO3 Suanluang 74110

Krathumbaen, Samutsakorn, Thailand



( 540 )

**MagicGuard**

(511) 09 and 42

(210) No. M/1721285

(220) 10/02/2023

(732) Honor Device Co., Ltd.

Suite 3401, Unit A, Building 6, Shum Yip Sky  
Park, No. 8089, Hongli West Road,  
Xiangmihu Street, Futian District, Shenzhen  
518040 Guangdong, China

( 540 )

**SPOTV NOW**

(511) 09, 35 and 38

(210) No. M/1721290

(220) 15/02/2023

(732) SPOTV Co., Ltd.

(Sangam-dong, Trutec Building) 5F, 12,  
World Cup buk-ro 56-gil, Mapo-gu Seoul  
03924, Republic Of Korea

( 540 )

**SUPER CLOVERS**

(511) 09, 28, 41 and 42

(210) No. M/1721375

(220) 02/11/2022

(732) Euro Games Technology Ltd.  
4, "Maritsa" Str., "Vranya-Lozen-  
Triugulnika" BG-1151 Sofia, Bulgaria

( 540 )

**KUMON  
CONNECT**

(511) 09, 35, 41 and 42

(210) No. M/1721409

(220) 24/10/2022

(732) KUMON INSTITUTE OF EDUCATION  
CO., LTD.  
5-6-6 Nishinakajima, Yodogawa-ku, Osaka-  
shi Osaka 532-8511, Japan

( 540 )

**HOT FLIGHT**

(511) 09, 28 and 41

(210) No. M/1721425

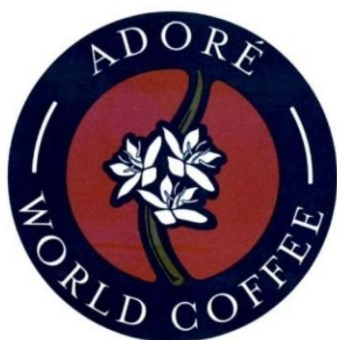
(220) 05/12/2022

(732) Euro Games Technology Ltd.

4, "Maritsa" Str., "Vranya-Lozen-Triugulnika"

BG-1151 Sofia, Bulgaria

( 540 )



(511) 30 and 32

(210) No. M/1721445

(220) 24/11/2022

(732) CONG TY CO PHAN THUC PHAM A  
LONG

175-177 Xo Viet Nghe Tinh, phuong 17,  
quan BinhThanh thanh pho Ho Chi Minh,  
Vietnam

( 540 )



(511) 30

(210) No. M/1721461

(220) 23/11/2022

(732) TORKI INTERNATIONAL FOOD JOINT  
STOCK COMPANY

120/5 Le Van Quoi Street, Binh Hung Hoa A  
Ward, Binh Tan District Ho Chi Minh City,  
Vietnam

( 540 )



(511) 30 and 43

(210) No. M/1721504

(220) 09/01/2023

(732) Shanghai Lixing Technology Co., Ltd.

Room 509, Building 1, No. 1107 Yuyuan  
Road, Changning District Shanghai, China

( 540 )



(511) 09

(210) No. M/1721510

(220) 10/02/2023

(732) HollySys Group Co., Ltd.

Room 1501, Building 1 No. 2 Di Sheng  
Middle Road, Economic-Technological  
Development Area Beijing, China

( 540 )

**Wacoal**

(511) 05

(210) No. M/1721520

(220) 30/01/2023

(732) WACOAL CORP.

29, Nakajima-cho, Kisshoin, Minami-ku,  
Kyoto-shi Kyoto 601-8530, Japan

( 540 )



(511) 05

(210) No. M/1721521

(220) 30/01/2023

(732) WACOAL CORP.

29, Nakajima-cho, Kisshoin, Minami-ku,  
Kyoto-shi Kyoto 601-8530, Japan

( 540 )

**LANE JT**

(511) 25

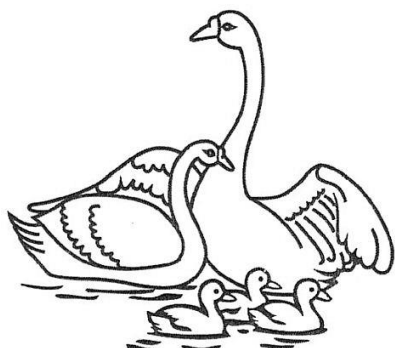
(210) No. M/1721638

(220) 23/09/2022

(732) Nguyen Thu Thuy

53D Van Chuong Lane, Van Chuong Ward,  
Dong Da District Hanoi, Vietnam

( 540 )



**SKY GOOSE**

(511) 25

(210) No. M/1721664

(220) 06/02/2023

(732) MR. Nakarin Chaemchoi

197 Soi Moobansethakit 1, Bangkhae Nhue

Sub-district 10160 Bangkhae District,

Bangkok, Thailand

( 540 )



(511) 05

(210) No. M/1721670

(220) 24/02/2023

(732) HLH BioPharma GmbH

Auf dem Steinocken 5 58802 Balve,

Germany

( 540 )

**JURASSIC NEST**

(511) 43

(210) No. M/1721730

(220) 22/12/2022

(732) Nomstar (Global) Pte. Ltd.

21 TAMPINES STREET 92, #05-02

HERSING KITCHEN 528891, Singapore

( 540 )

**H A V A L**

(511) 12 and 37

(210) No. M/1721739

(220) 25/11/2022

(732) Great Wall Motor Company Limited

2266 Chaoyang South Street, Baoding

071000 Hebei, China



( 540 )

**MOISTUREGRIP**

(511) 03

(210) No. M/1721808

(220) 28/02/2023

(732) LJULJA BEAUTY INC.

135 E 57th Street New York NY 10022,  
United States Of America

( 540 )

**PROTAPER**

(511) 09, 12 and 25

(210) No. M/1721906

(220) 10/01/2023

(732) Tucker-Rocky Corporation, Inc.

103 Foulk Road, Suite 202 Wilmington DE  
19803, United States Of America

( 540 )

**ANSWER**

(511) 09, 12 and 25

(210) No. M/1721907

(220) 10/01/2023

(732) Tucker-Rocky Corporation, Inc.

103 Foulk Road, Suite 202 Wilmington DE  
19803, United States Of America

( 540 )



(511) 01, 04, 07, 08, 11, 36, 38, 39 and 40

(210) No. M/1722037

(220) 14/12/2022

(732) PIRELLI & C. S.p.A.

Viale Piero e Alberto Pirelli 25 I-20126  
Milano, Italy

( 540 )



(511) 01, 02, 09 and 17

(210) No. M/1722104

(220) 21/11/2022

(732) TOYO INK SC HOLDINGS CO., LTD.

2-1, Kyobashi 2-chome, Chuo-ku Tokyo 104-8377, Japan

( 540 )



(511) 09

(210) No. M/1722196

(220) 04/11/2022

(732) Shandong Dongliang Technology Equipment

Co., Ltd

No.18, Lashan Road, Shizhong District, Jinan  
City Shandong Province, China

( 540 )

**HIT WIN**

(511) 09, 28 and 41

(210) No. M/1722198

(220) 05/12/2022

(732) Euro Games Technology Ltd.

4, "Maritsa" Str., "Vranya-Lozen-Triugulnika"

BG-1151 Sofia, Bulgaria

( 540 )

**e& international**

(511) 09, 35, 38 and 42

(210) No. M/1722282

(220) 17/02/2023

(732) EMIRATES TELECOMMUNICATIONS

GROUP COMPANY PJSC

Intersection of Sheikh Zayed II Street and  
Sheikh Rashid Bin Saeed Al Maktoum Street,

P.O. Box 3838 Abu Dhabi,

United Arab Emirates

( 540 )

**CALLKIT**

(511) 09

(210) No. M/1722400

(220) 27/02/2023

(732) Apple Inc.

One Apple Park Way Cupertino CA 95014,  
United States of America

( 540 )



(511) 09

(210) No. M/1722847

(220) 26/11/2022

(732) Apple Inc.

One Apple Park Way Cupertino CA 95014,  
United States of America

( 540 )

**HAKRO** 

(511) 09, 10, 16, 18, 22, 23, 24, 25, 35, 40, 42, 43  
and 45

(210) No. M/1722879

(220) 16/11/2022

(732) HAKRO GmbH

Oberstettener Straße 41 74575 Schrozberg,  
Germany

( 540 )

**VOX**

(511) 03 and 05

(210) No. M/1723040

(220) 27/02/2023

(732) Swiss Cosmetics Alliance AG

Zugerstrasse 74 CH-6340 Baar, Switzerland

( 540 )

**uDR**

(511) 10

(210) No. M/1723049

(220) 30/11/2022

(732) Shanghai United Imaging Healthcare Co.,  
Ltd.

No. 2258 Chengbei Rd., Jiading District  
Shanghai, China

( 540 )

**Charming Joker**

(511) 09, 28 and 41

(210) No. M/1723132

(220) 29/11/2022

(732) Euro Games Technology Ltd.

4, "Maritsa" Str., "Vranya-Lozen-Triugulnika"  
BG-1151 Sofia, Bulgaria

( 540 )

HONOR to be with you

(511) 09 and 35

(210) No. M/1723201

(220) 15/11/2022

(732) Honor Device Co., Ltd.

Suite 3401, Unit A, Building 6, Shum Yip  
Sky Park, No. 8089, Hongli West Road,  
Xiangmihu Street, Futian District, Shenzhen  
518040 Guangdong, China

( 540 )



(511) 43

(210) No. M/1723333

(220) 10/01/2023

(732) SOMTUM JAE DANG SAMYAN CO.,  
LTD.

222 Baiyokeskyhotel, 21 Floor, Ratchaprarop  
Road, Phaya Thai Road 10400 Ratchathewi,  
Bangkok, Thailand



( 540 )



(511) 01

(210) No. M/1723364

(220) 05/12/2022

(732) Shenzhen Mizhan Technology Co., Ltd.

Room 1307, Building 1, Fuji Zhidi Building,  
No. 6018, Longgang Road (Longgang  
Section), Nanlian Community, Longgang  
Street, Longgang District 518000 Shenzhen,  
China

( 540 )

**H&M ADORABLES**

(511) 18, 25, 28 and 35

(210) No. M/1723405

(220) 21/02/2023

(732) H & M Hennes & Mauritz AB

Mäster Samuelsgatan 46A SE-106 38  
Stockholm, Sweden

( 540 )



(511) 11, 19, 20, 21, 24, 27 and 35

(210) No. M/1723555

(220) 08/09/2022

(732) INTERWOOD VIETNAM COMPANY  
LIMITED

Plot No. 185, Map Sheet No. 39, Vinh Loi  
Street, Uyen Hung Ward, Tan Uyen Town  
Binh Duong Province, Vietnam

( 540 )



(511) 11, 19, 20, 21, 24, 27 and 35

(210) No. M/1723558

(220) 16/09/2022

(732) INTERWOOD VIETNAM COMPANY  
LIMITED

Plot No. 185, Map Sheet No. 39, Vinh Loi  
Street, Uyen Hung Ward, Tan Uyen Town  
Binh Duong Province, Vietnam

( 540 )

**CENCORA**

(511) 39

(210) No. M/1723584

(220) 26/01/2023

(732) AmerisourceBergen Corporation

1 West First Avenue Conshohocken PA 19428,  
United States of America

( 540 )

**SAINT  
CONSTANTIN  
BRÂNCOVEANU**

(511) 33

(210) No. M/1723638

(220) 07/02/2023

(732) BELLES MARKS LTD

Artemidos 3-5, ARTEMIDOS TOWER, 1st  
floor, Flat/Office 101 CY-6020 Larnaca,  
Cyprus

## ພາກທີ IV

### (Part IV)

## ເຄື່ອງໝາຍການຄ້າຜ່ານລະບົບມາດຣິດ

### Trademarks via Madrid Protocol

#### 2. ຜົນການຈົດທະບຽນ

##### (Registration)

##### ຄຳອະທິບາຍກ່ຽວກັບລະຫັດຫຍໍ້

##### (Introduction of Codes)

- (540) ເຄື່ອງໝາຍການຄ້າ (Trademark)
- (511) ໝວດ (Nice Classification)
- (210) ເລກທີ ຄຳຮ້ອງ (Number of the application)
- (220) ວັນທີ ຍື່ນຄຳຮ້ອງ (Date of filing of the application)
- (732) ຊື່ ແລະ ທີ່ຢ ບໍ ຂອງຜູ້ຍື່ນຄຳຮ້ອງ (Name and Address of applicant)
- (111) ເລກທີການຈົດທະບຽນເຄື່ອງໝາຍການຄ້າ (Number of the registration)
- (180) ວັນໝົດອາຍ ຂອງການຈົດທະບຽນ (Expiration date of the registration)

## ພາກທີ IV (Part IV)

### ເຄື່ອງໝາຍການຄ້າຜ່ານລະບົບມາດຣິດ Trademarks via Madrid Protocol

#### 3. ຜົນການຕໍ່ອາຍຸ (Renewal)

##### ຄຳອະທິບາຍກ່ຽວກັບລະຫັດຫຍໍ້ (Introduction of Codes)

- (540) ເຄື່ອງໝາຍການຄ້າ (Trademark)
- (511) ໝວດ (Nice Classification)
- (210) ເລກທີ ຄຳຮ້ອງ (Number of the application)
- (220) ວັນທີ ຍື່ນຄຳຮ້ອງ (Date of filing of the application)
- (732) ຊື່ ແລະ ທີ່ຢ ບໍ ຂອງຜູ້ຍື່ນຄຳຮ້ອງ (Name and Address of applicant)
- (111) ເລກທີການຈົດທະບຽນເຄື່ອງໝາຍການຄ້າ (Number of the registration)
- (180) ການຕໍ່ ອາຍ ຂອງການຈົດທະບຽນ (Expiration date of the renewal)

**ພາກທີ IV**

**(Part IV)**

**ເຄື່ອງໝາຍການຄ້າຜ່ານລະບົບມາດຣິດ**

**Trademarks via Madrid Protocol**

**4. ການປ່ຽນແປງ**

**(Changes)**

**ພາກທີ IV**

**(Part IV)**

**ເຄື່ອງໝາຍການຄ້າຜ່ານລະບົບມາດຣິດ**

**Trademarks via Madrid Protocol**

**5. ການດັດແກ້**

**(Amendments)**

**ພາກທີ V**  
**(Part V)**  
**ຖິ່ນກຳເນີດ**  
**Geographical Indications**

**1. ຄຳຮ້ອງ**  
**(Applications)**



**ພາກທີ V**  
**(Part V)**  
**ຖິ່ນກຳເນີດ**  
**Geographical Indications**

**2. ຜົນການຈັດທະບຽນ**  
**(Registration)**

**ພາກທີ V**

**(Part V)**

**ຖິ່ນກຳເນີດ**

**Geographical Indications**

**3. ການປ່ຽນແປງ**

**(Changes)**

**ພາກທີ V**  
**(Part V)**  
**ຖິ່ນກຳເນີດ**  
**Geographical Indications**

**4. ການດັດແກ້**  
**(Amendments)**

**ພາກທີ VI**

**(Part VI)**

**ພັນພືດໃໝ່**

**New Plant Varieties**

**1. ຄໍາຮ້ອງ**

**(Applications)**

**ພາກທີ VI**

**(Part VI)**

**ພັນພືດໃໝ່**

**New Plant Varieties**

**2. ຜົນການຈັດທະບຽນ**

**(Registration)**

**ພາກທີ VI**  
**(Part VI)**

**ພັນພືດໃໝ່**  
**New Plant Varieties**

**3. ການປ່ຽນແປງ**  
**(Changes)**

**ພາກທີ VI**

**(Part VI)**

**ພັນພືດໃໝ່**

**New Plant Varieties**

**4. ການດັດແກ້**

**(Amendments)**

## ພາກທີ VII

### (Part VII)

## ລິຂະສິດ ແລະ ສິດກ່ຽວຂ້ອງກັບລິຂະສິດ

### Copyrights and Related Rights

#### 1. ການແຈ້ງຂໍ້ມູນ

##### (Notifications)



**ພາກທີ VII**

**(Part VII)**

**ລິຂະສິດ ແລະ ສິດກ່ຽວຂ້ອງກັບລິຂະສິດ**

**Copyrights and Related Rights**

**2. ການປ່ຽນແປງ**

**(Changes)**

**ພາກທີ VIII**

**(Part VIII)**

**ການແກ້ໄຂຂໍ້ຂັດແຍ່ງທາງດ້ານບໍລິຫານກ່ຽວກັບການຈົດ**

**ທະບຽນຊັບສິນອຸດສາຫະກຳ ແລະ ພັນພືດໃໝ່**

**Administrative Dispute Resolutions on the Registration of  
Industrial Property and New Plant Varieties**

**1. ຜົນການຄັດຄ້ານຄຳຮ້ອງ**

**(Result of Oppositions)**

## **ພາກທີ VIII**

### **(Part VIII)**

**ການແກ້ໄຂຂໍ້ຂັດແຍ່ງທາງດ້ານບໍລິຫານກ່ຽວກັບການຈົດ**

**ທະບຽນຊັບສິນອຸດສາຫະກຳ ແລະ ພັນພືດໃໝ່**

**Administrative Dispute Resolutions on the Registration of  
Industrial Property and New Plant Varieties**

### **2. ຜົນການແຈ້ງປະຕິເສດ**

**(Result of Refusals)**

**ພາກທີ VIII**

**(Part VIII)**

**ການແກ້ໄຂຂໍ້ຂັດແຍ່ງທາງດ້ານບໍລິຫານກ່ຽວກັບການຈົດ**

**ທະບຽນຊັບສິນອຸດສາຫະກຳ ແລະ ພັນພືດໃໝ່**

**Administrative Dispute Resolutions on the Registration of  
Industrial Property and New Plant Varieties**

**3. ຜົນການຍົກເລີກ ຫຼື ລົບລ້າງ ຂອງການຈົດທະບຽນ  
(Result of Cancellation or Invalidation of Registration)**