



**ສາທາລະນາລັດ ປະຊາທິປະໄຕ ປະຊາຊົນລາວ**  
**LAO PEOPLE'S DEMOCRATIC REPUBLIC**

**ກະຊວງ ອຸດສາຫະກຳ ແລະ ການຄ້າ**  
**ກົມຊັບສິນທາງປັນຍາ**

**MINISTRY OF INDUSTRY AND COMMERCE**  
**DEPARTMENT OF INTELLECTUAL PROPERTY**

**ຈົດໝາຍເຫດທາງລັດຖະການ**  
**ກ່ຽວກັບ ຊັບສິນທາງປັນຍາ**  
**ຢູ່ ສປປ ລາວ**

**OFFICIAL GAZETTE ON INTELLECTUAL PROPERTY**  
**IN LAO PDR**

ສະບັບທີ (Vol.) 210

# ພາກທີ I (Part I)

## ສິດທິບັດ ແລະ ອະນຸສິດທິບັດ (Patent and Petty Patent)

### 1. ຄໍາຮ້ອງ (Applications)

#### ຄໍາອະທິບາຍກ່ຽວກັບລະຫັດຫຍໍ້ (Introduction of Codes)

- (21) ເລກທີ ຄໍາຮ້ອງ (Filing Number)
- (22) ວັນທີ ຍືນຄໍາຮ້ອງ (Filing Date)
- (30) ວັນທີ ບ ລິມະສິດ (Priority Date)
- (43) ວັນທີເຜີຍແຜ່ (Publication Date)
- (51) ໝວດ (International Patent Classification)
- (54) ຊື່ຂອງການປະດິດ (Title)
- (57) ບົດຄັດຫຍໍ້ (Abstract)
- (71) ຊື່ ແລະ ທີ່ຢ ບໍ ເຈົ້າຂອງສິດທິບັດ ແລະ ອະນ ສິດທິບັດ (Owner Name and Address)
- (72) ຊື່ຜູ້ປະດິດ (Inventor Name)
- (74) ຊື່ຕົວແທນ (Representative Name)
- (55) ຮ ບພາບ (Pictures)

# ພາກທີ I (Part I)

## ສິດທິບັດ ແລະ ອະນຸສິດທິບັດ (Patent and Petty Patent)

### 2. ຜົນການອອກສິດທິບັດ ແລະ ອະນຸສິດທິບັດ (Grant of Patents and Petty Patents)

#### ຄໍາອະທິບາຍກ່ຽວກັບລະຫັດຫຍໍ້ (Introduction of Codes)

- (11) ເລກທີ (Grant Number)
- (21) ເລກທີ ຄໍາຮ້ອງ (Filing Number)
- (22) ວັນທີຍືນຄໍາຮ້ອງ (Filing Date)
- (30) ວັນທີ ບ ລິມະສິດ (Priority Date)
- (43) ວັນທີເຜີຍແຜ່ (Publication Date)
- (51) ໝວດ (International Patent Classification)
- (54) ຫົວຂໍ້ ການປະດິດ (Title)
- (57) ບົດຄັດຫຍໍ້ (Abstract)
- (71) ຊື່ ແລະ ທີ່ຢ ບໍ ເຈົ້າຂອງສິດທິບັດ ແລະ ອະນ ສິດທິບັດ (Owner Name and Address)
- (72) ຊື່ຜູ້ປະດິດ (Inventor Name)
- (74) ຊື່ຕົວແທນ (Representative Name)
- (55) ຮ ບພາບ (Pictures)

Official Gazette of Industrial Property Vol. 210, 09/06/2023

- (11) No. 544
- (21) PA 544
- (22) 04/08/2017
- (30) 15/019,804 09/02/2016 US; 62/114,423 10/02/2015 US; 62/183054 22/06/2015 US and PCT/US2016/017325 10/02/2016 US
- (43) 09/06/2023
- (51) Int.Cl.H 04N 21/2343, H 04N 21/262, H 04N 21/266, H 04N 21/854, H 04N 21/44, H 04N 21/845, H 04N 21/438
- (54) LOW LATENCY VIDEO STREAMING
- (57) A client device includes one or more processors configured to determine, from a manifest file, a plurality of types of segments included in a representation of media content, one or more functions provided by each of the types of segments, and positions of segments conforming to each of the types of segments in the representation, wherein at least one of the types of segments provides a point at which to begin retrieving data from the representation, determine, from the manifest file, a segment of the representation conforming to the type that provides the point at which to begin retrieving data from the representation, and retrieve the determined segment from the representation.
- (71) QUALCOMM INCORPORATED  
Attn: International IP Administration 5775 Morehouse Drive San Diego, CA 92121-1714 ,  
United States of America.
- (72) WANG, Ye-Kui and STOCKHAMMER, Thomas.
- (74) CONCETTI-LAO CO., LTD.
- (55)

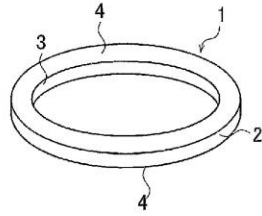
Official Gazette of Industrial Property Vol. 210, 09/06/2023

- (11) No. 697
- (21) PA 697
- (22) 17/12/2019
- (30) 2017-191256 29/09/2017 JP
- (43) 09/06/2023
- (51) Int.Cl. G 11B 17/038(2006.01), G 11B 5/65(2006.01), G 11B 25/04(2006.01), G 11B 23/00(2006.01)
- (54) Glass Spacer and Hard Disc Drive Device
- (57) The purpose of the present invention is to prevent adhesion between a magnetic disc and a spacer when removing the magnetic disc and the spacer from a hard disc drive device where the magnetic disc and the spacer are installed. The surface roughness Ra on the principal surface of the ring-shaped glass spacer in contact with the magnetic disc in the hard disc drive device is set to 1.0  $\mu\text{m}$  or less and the average inclination  $R\Delta a$  of the principal surface is set to 0.02 or greater.
- (71) HOYA CORPORATION  
6-10-1Nishi-Shinjuku, Shinjuku-ku, Tokyo 1608347, Japan, Japan.
- (72) Masao TAKANO.
- (74) Tilleke & Gibbins Lao Co., Ltd.
- (55)

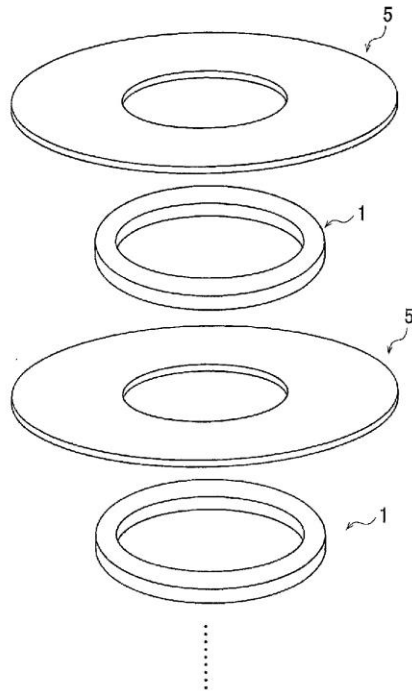
WO 2019/066086

PCT/JP2018/036747

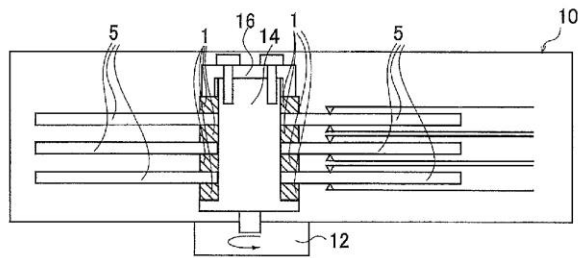
[図1]



[図2]



[図3]



WO 2019/066086

PCT/JP2018/036747

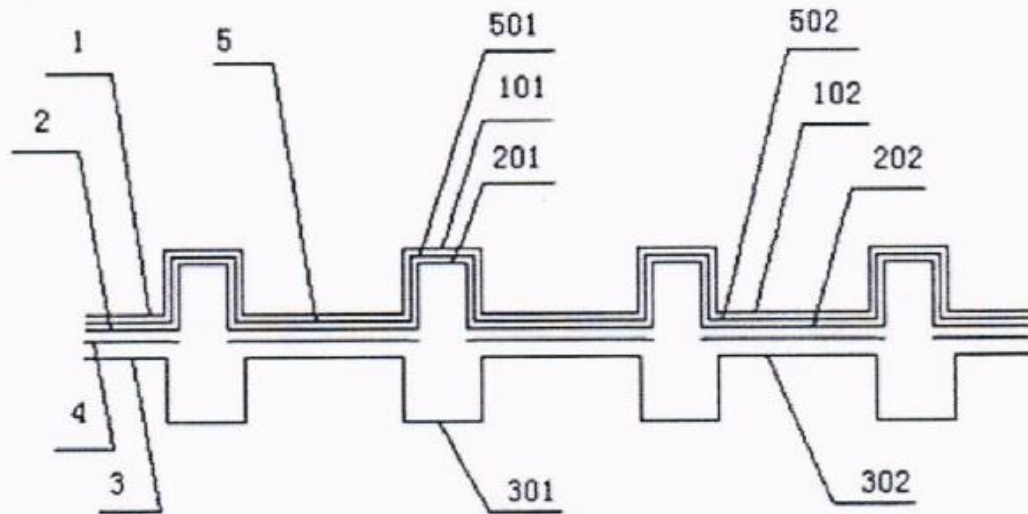
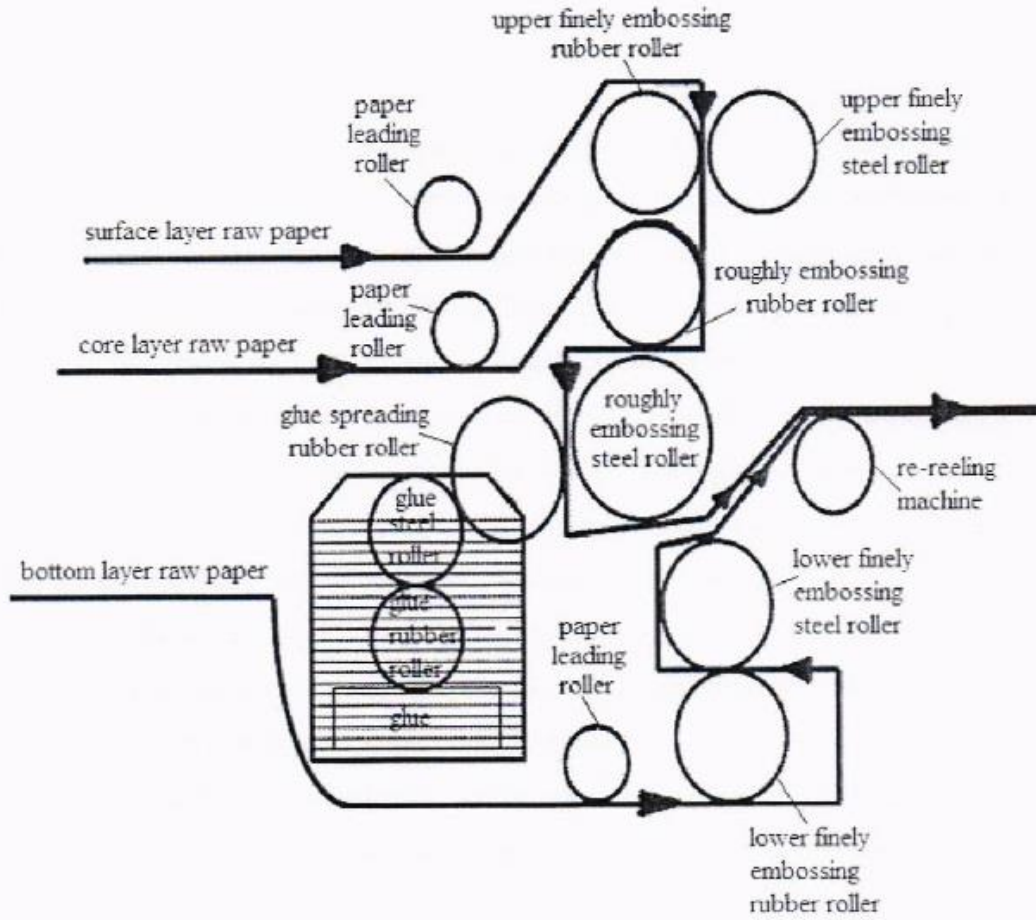
[図4]

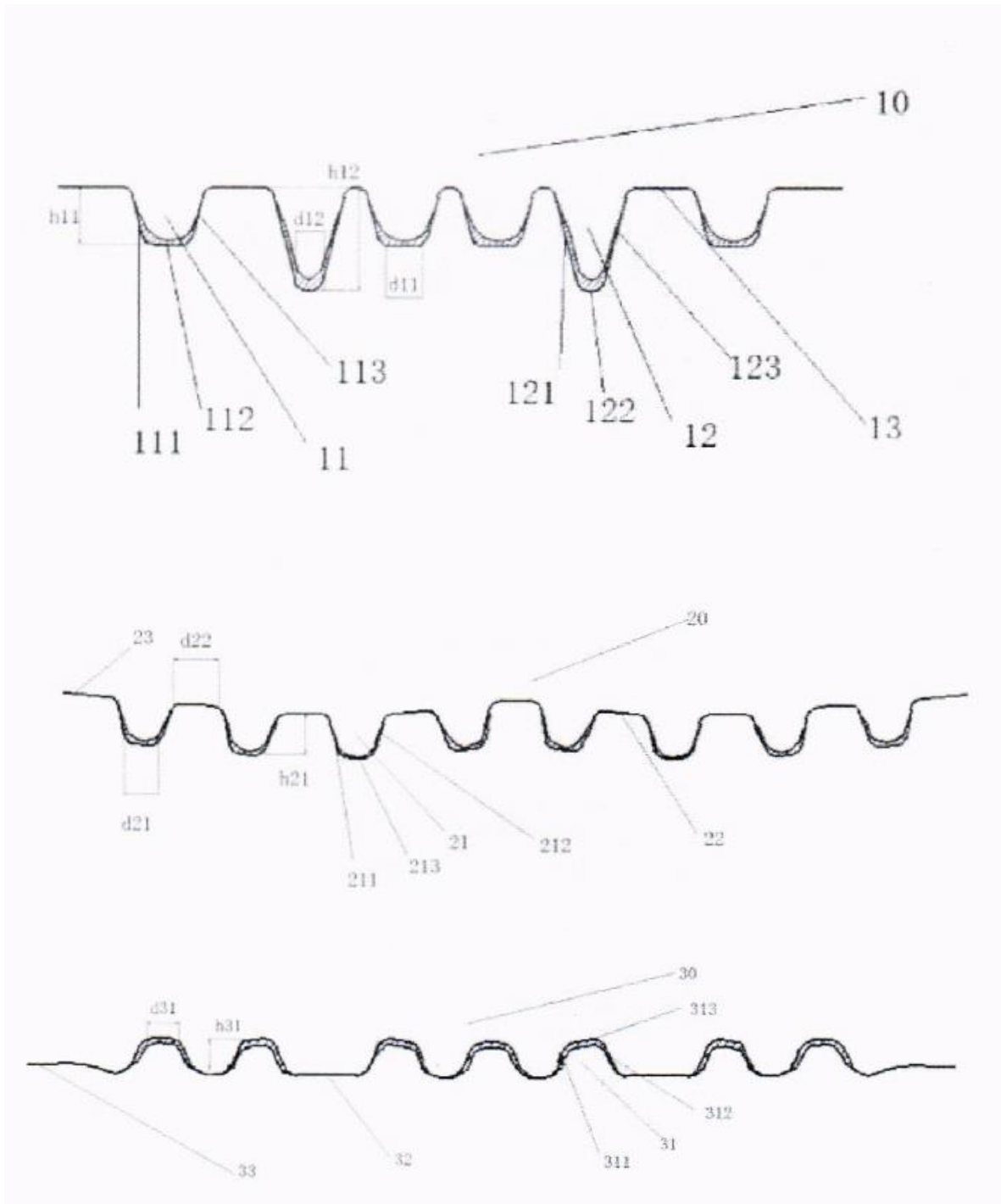


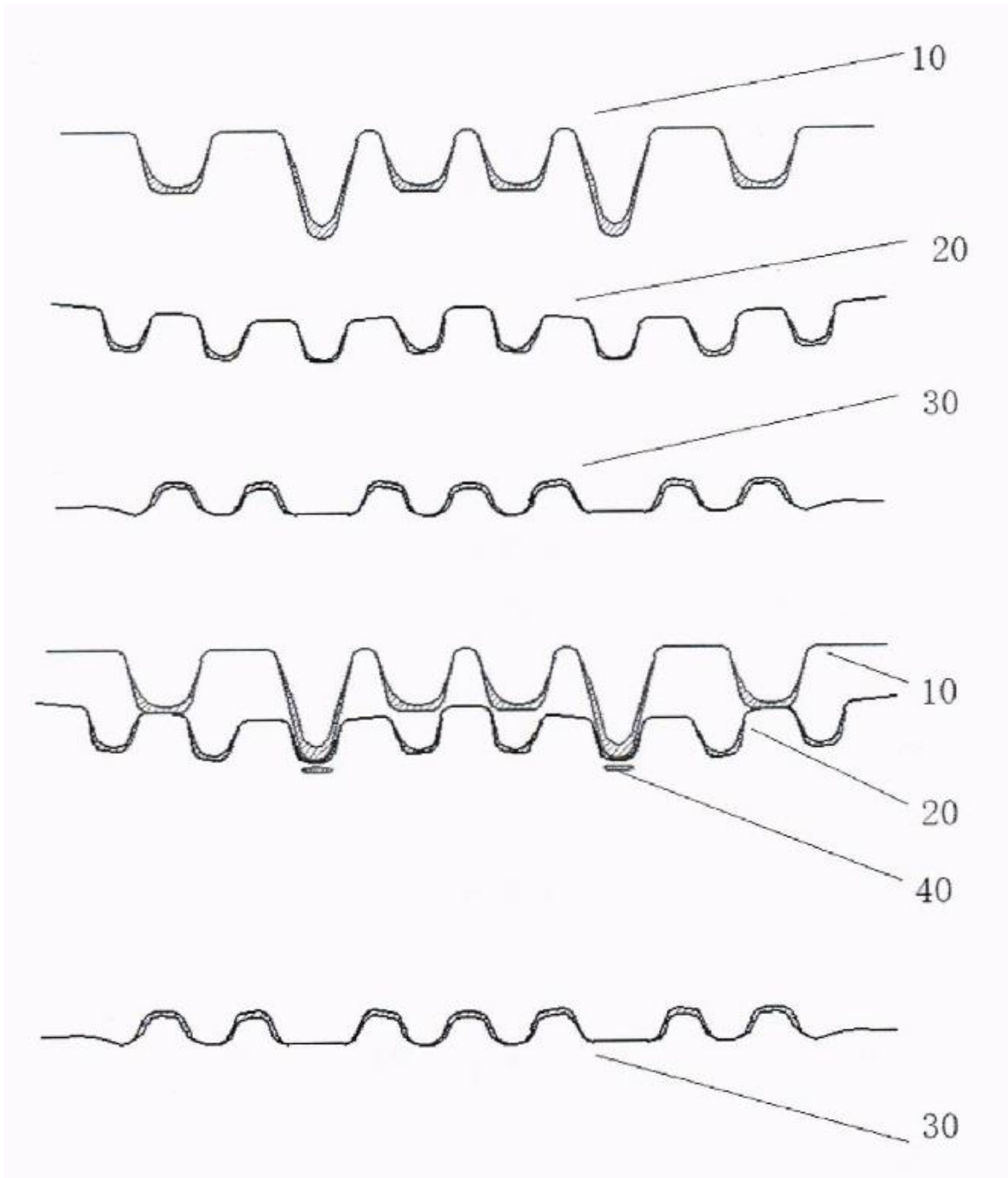
Official Gazette of Industrial Property Vol. 210, 09/06/2023

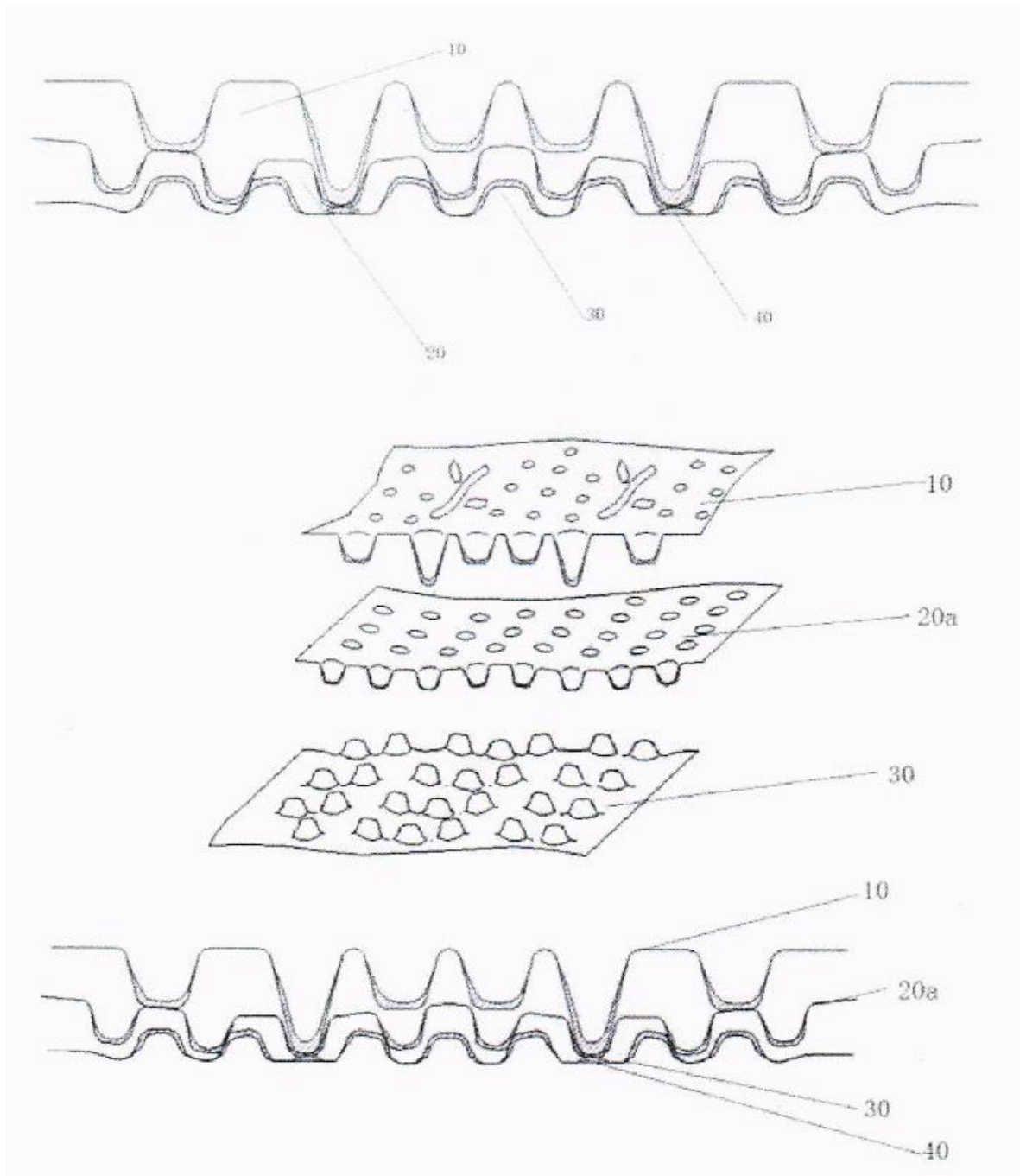
- (11) No. 764
- (21) PA 764
- (22) 01/03/2021
- (30) 201910760175.5 16/08/2019 CN
- (43) 09/06/2023
- (51) Int.Cl. D 21H 27/40(2006.01), B 31F 1/07(2006.01), B 32B 3/30(2006.01), B 32B 7/12(2006.01), A 47K 10/16(2006.01)
- (54) PAPER TOWEL AND METHOD FOR MANUFACTURING THE SAME
- (57) A paper towel and a method for manufacturing the paper towel are provided. The first embossed layer and the second embossed layer are combined through the rollers and applied with the bonding agent, and the first embossed layer and the second embossed layer, which are nested with each other by squeezing and applied with the bonding agent, are bonded to the third embossed layer. A part of the low protrusions of the first embossed layer are supported by the protrusions of the second embossed layer, and a part of the low protrusions of the first embossed layer are supported by the flat surfaces between the protrusions of the second embossed layer, thus can maximize the thickness of the product, and the thickness of the product is increased by about 52% compared with that of the traditional three-layer embossed structure. The high protrusions of the first embossed layer on the first embossed layer run through the second embossed layer and the third embossed layer, and finally the three different embossed layers are bonded and fixed together to form a firm three-dimensional structure, thereby greatly improving the physical properties of the paper towel product in terms of thickness, touch, absorbency and the like.
- (71) VINDA PAPER (CHINA) COMPANY LTD.  
Sibeiyangsha, Xinjiang Village, Sanjiang Town, Xinhui District, Jiangmen, Guangdong 529142, P.R. China.
- (72) HU, Yongjin and YAO, Changlin.
- (74) CONCETTI - LAO CO., LTD.
- (55)

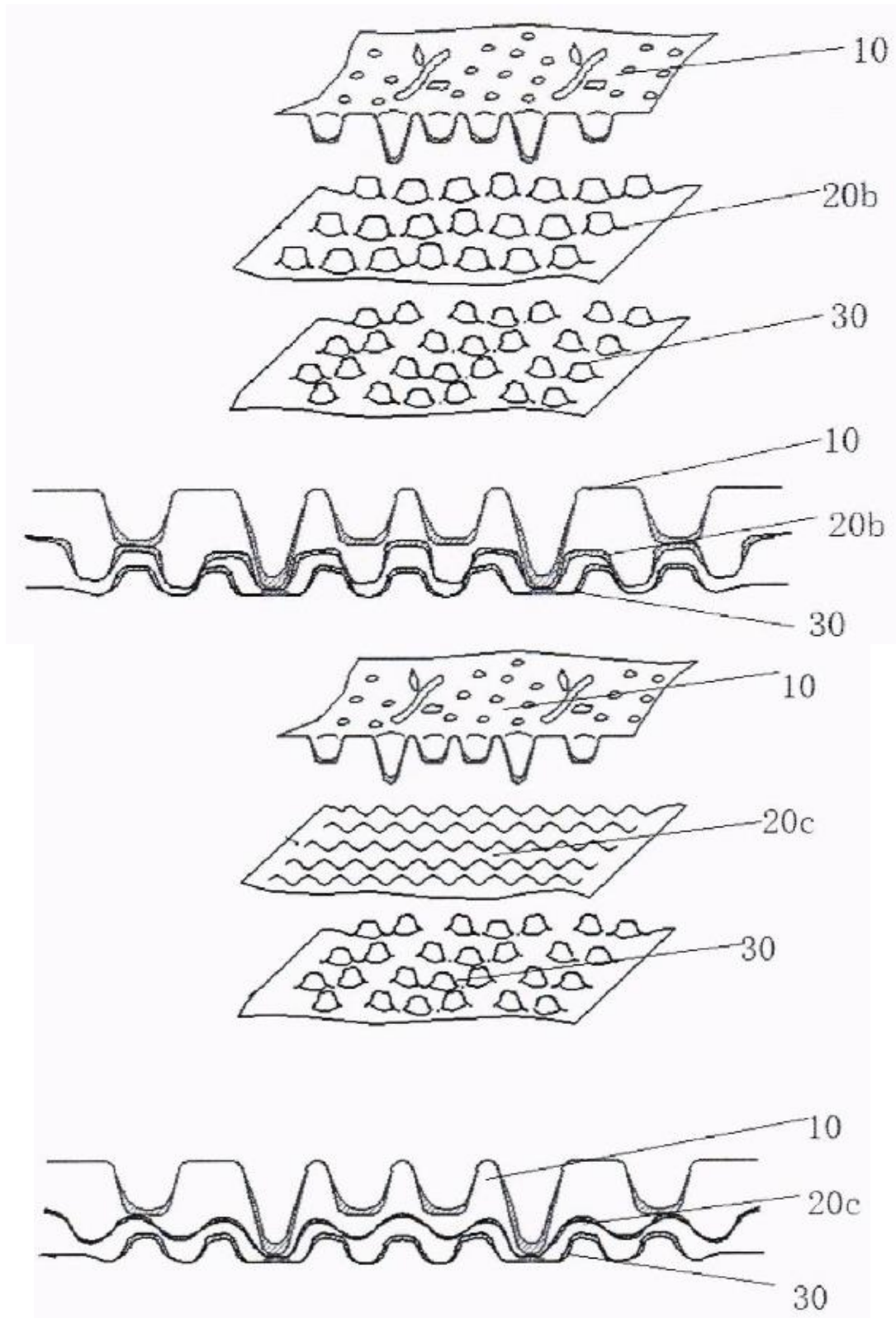












- (11) No. 768
- (21) PA 768
- (22) 01/04/2021
- (30)
- (43) 09/06/2023
- (51) Int.Cl. E 04C 2/04(2006.01), E 04C 2/26(2006.01), E 04F 13/08(2006.01), B 32B 9/00(2006.01)
- (54) BOARD FOR BUILDING WITH MAGNETIC LAYER
- (57) ສະຫຼຸບຫຍໍ້ ໄດ້ຈັດໃຫ້ມີແຜນກະດານສໍາລັບສິ່ງກໍ່ສ້າງທີ່ມີຊັ້ນແມ່ເຫຼັກ ຊຶ່ງລວມທັງ ແຜນກະດານສໍາລັບສິ່ງກໍ່ສ້າງ; ແລະ ຊັ້ນແມ່ເຫຼັກ ທີ່ກວມເອົາຢ່າງຫນ້ອຍທີ່ສຸດ ສ່ວນຂອງພື້ນຜິວຂອງແຜນກະດານສິ່ງກໍ່ສ້າງ, ໃນ ນີ້, ຊັ້ນແມ່ເຫຼັກ ລວມມີ ວັດສະດຸແມ່ເຫຼັກ ແລະ ຕົວເຊື່ອມອະນິນຊີ.
- (71) YOSHINO GYPSUM CO., LTD.  
Shin-Tokyo Bldg., 3-1, Marunouchi 3-Chome, Chiyoda-Ku, Tokyo  
100-0005 Japan, Japan.
- (72) Itaru YOKOYAMA; Yosuke SATO; Daichi FUJIKURA and Hidetoshi TOITA.
- (74) Tilleke & Gibbins Lao Co., Ltd.
- (55)

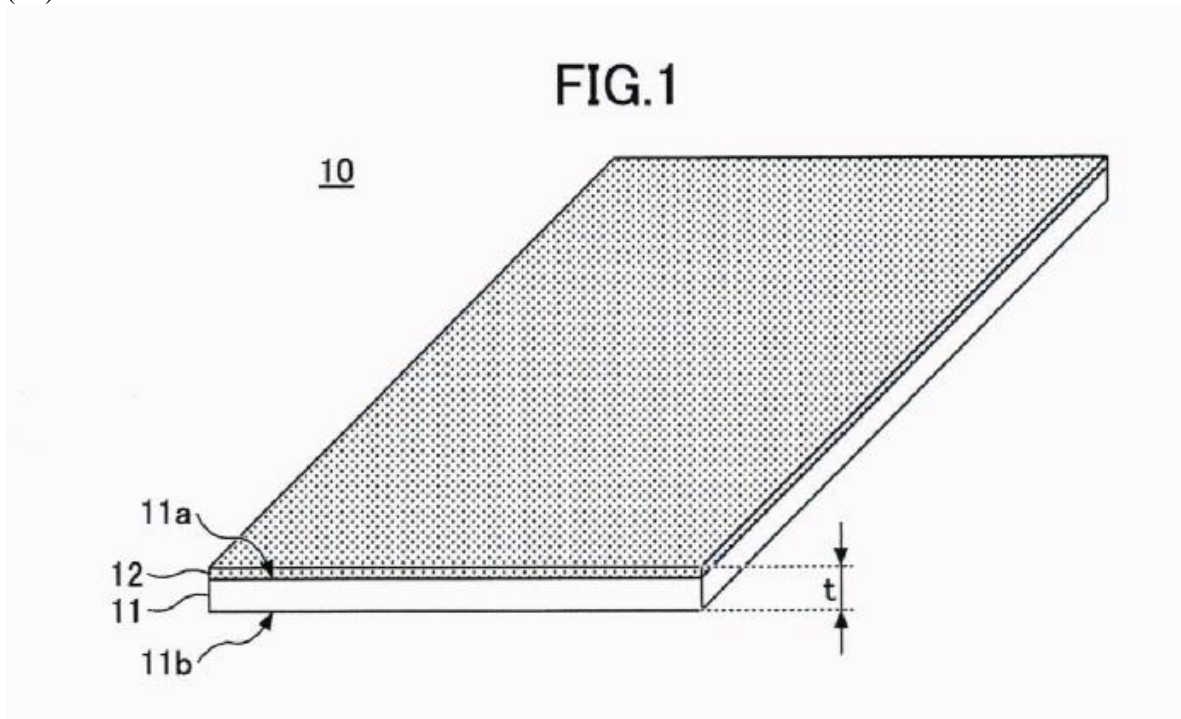
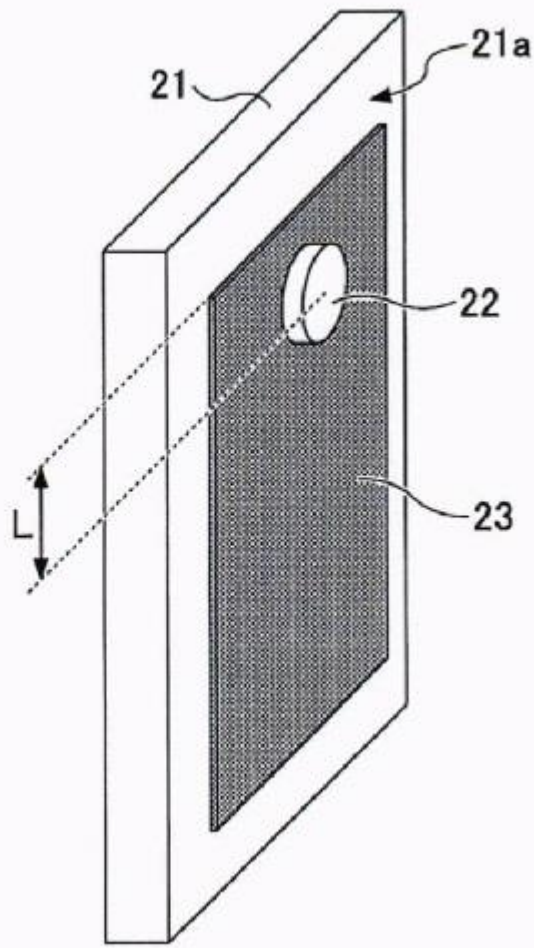


FIG.2



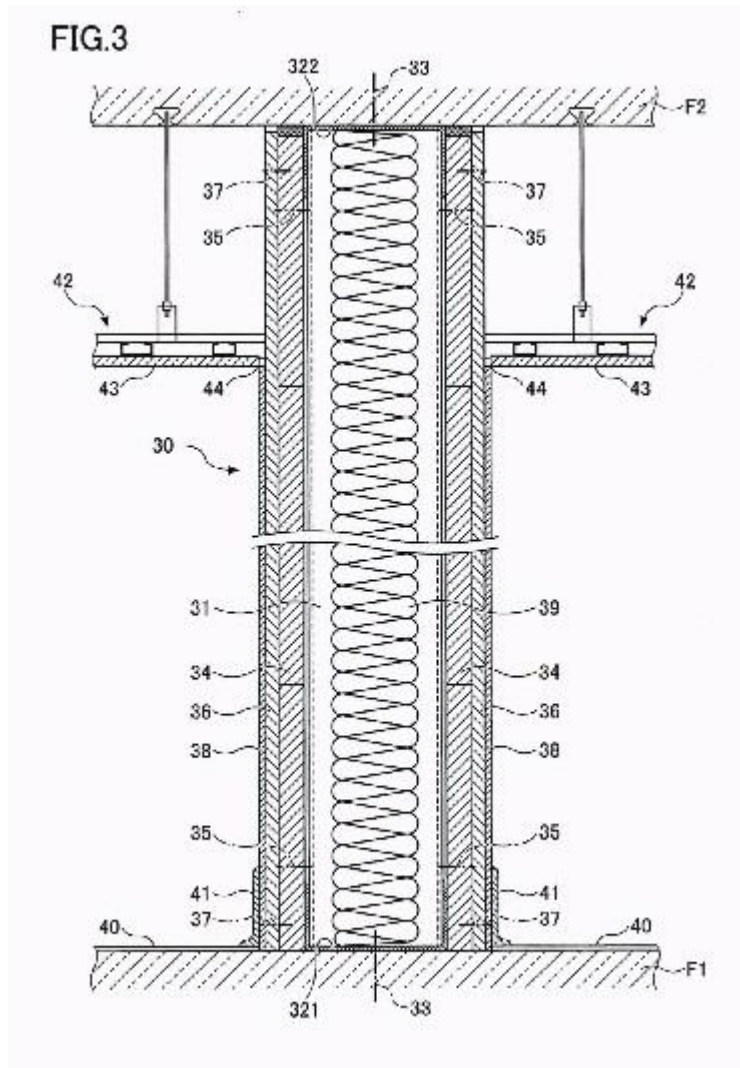




FIG.4

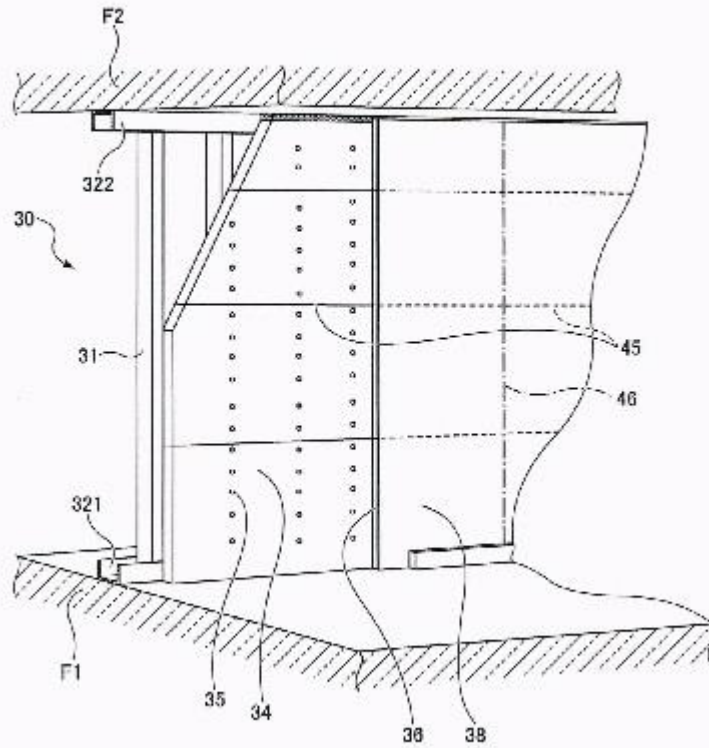


FIG.5

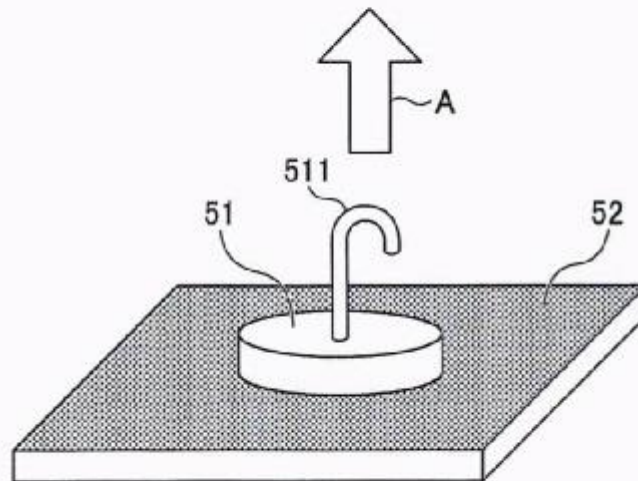


FIG.6

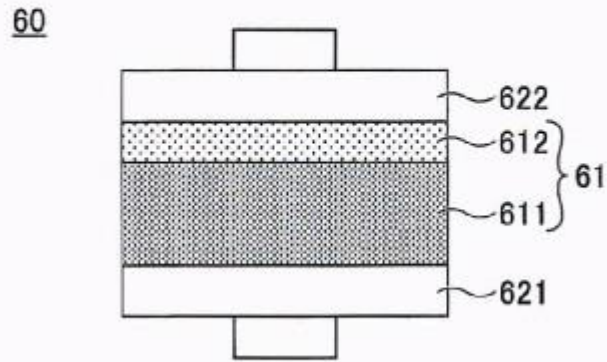
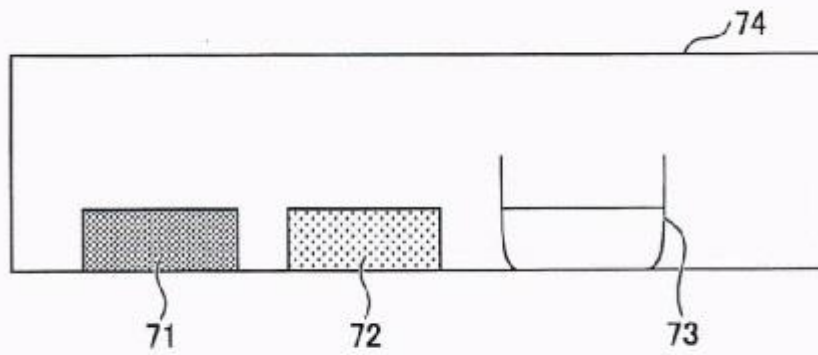


FIG.7



**ພາກທີ I**

**(Part I)**

**ສິດທິຂັດ ແລະ ອະນຸສິດທິຂັດ**

**(Patent and Petty Patent)**

**3. ການປ່ຽນແປງ**

**(Changes)**

**ພາກທີ I**

**(Part I)**

**ສິດທິບັດ ແລະ ອະນຸສິດທິບັດ**

**(Patent and Petty Patent)**

**4. ການດັດແກ້**

**(Amendments)**

## ພາກທີ II

### (Part II)

## ແບບອຸດສາຫະກຳ (Industrial Design)

### 1. ຄຳຮ້ອງ

#### (Applications)

#### ຄຳອະທິບາຍກ່ຽວກັບລະຫັດຫຍໍ້

#### (Introduction of Codes)

- (21) ເລກທີ ຄຳຮ້ອງ (Filing Number)
- (22) ວັນທີ ຄຳຮ້ອງ (Filing Date)
- (30) ວັນທີ ບ ລິມາສິດ (Priority Date)
- (51) ໝວດ (Locarno Classification)
- (54) ຊື່ຂອງແບບອ ດສາຫະກຳ (Title)
- (71) ຊື່ ແລະ ທີ່ຢ ບໍ ຂອງເຈົ້າຂອງ (Owner Name and Address)
- (72) ຊື່ຜູ້ອອກແບບ (Designer Name)
- (74) ຊື່ຕົວແທນ (Representative Name)
- (55) ຮ ບພາບ (Pictures)

## ພາກທີ II

### (Part II)

## ແບບອຸດສາຫະກຳ (Industrial Design)

### 2. ຜົນການຈົດທະບຽນ (Registration)

#### ຄຳອະທິບາຍກ່ຽວກັບລະຫັດຫຍໍ້ (Introduction of Codes)

- (11) ເລກທີ ຈົດທະບຽນ (Registration Number)
- (15) ວັນທີ ຈົດທະບຽນ (Registration Date)
- (21) ເລກທີ ຍືນຄຳຮ້ອງ (Filing Number)
- (22) ວັນທີ ຍືນຄຳຮ້ອງ (Filing Date)
- (30) ວັນທີ ບ ລິມາສິດ (Priority Date)
- (17) ວັນທີ ໝົດອາຍ (Expiration Date)
- (51) ໝວດ (Locarno Classification)
- (54) ຊື່ຂອງແບບອ ດສາຫະກຳ (Title)
- (71) ຊື່ ແລະ ທີ່ຢ ບໍ ຂອງເຈົ້າຂອງ (Owner Name and Address)
- (72) ຊື່ຜູ້ອອກແບບ (Designer Name)
- (74) ຊື່ຕົວແທນ (Representative Name)
- (55) ຮ ບພາບ (Pictures)

**ພາກທີ II**

**(Part II)**

**ແບບອຸດສາຫະກຳ  
(Industrial Design)**

**3. ການປ່ຽນແປງ**

**(Changes)**

**ພາກທີ II**  
**(Part II)**

**ແບບອຸດສາຫະກຳ**  
**(Industrial Design)**

**4. ການດັດແກ້**  
**(Amendments)**



## ພາກທີ III

### (Part III)

## ເຄື່ອງໝາຍການຄ້າ

### Trademarks

#### 1. ຄໍາຮ້ອງ

#### (Applications)

#### ຄໍາອະທິບາຍກ່ຽວກັບລະຫັດຫຍໍ້

#### (Introduction of Codes)

- (540) ເຄື່ອງໝາຍການຄ້າ (Trademark)
- (511) ໝວດ (Nice Classification)
- (210) ເລກທີ ຄໍາຮ້ອງ (Number of the application)
- (220) ວັນທີ ຄໍາຮ້ອງ (Date of filing of the application)
- (732) ຊື່ ແລະ ທີ່ຢ ບໍ ຂອງຜູ້ຍື່ນຄໍາຮ້ອງ (Name and Address of applicant)

## **ພາກທີ III**

### **(Part III)**

## **ເຄື່ອງໝາຍການຄ້າ**

### **Trademarks**

#### **2. ຜົນການຈົດທະບຽນ**

##### **(Registration)**

##### **ຄຳອະທິບາຍກ່ຽວກັບລະຫັດຫຍໍ້**

##### **(Introduction of Codes)**

- (540) ເຄື່ອງໝາຍການຄ້າ (Trademark)
- (511) ໝວດ (Nice Classification)
- (210) ເລກທີ ຄຳຮ້ອງ (Number of the application)
- (220) ວັນທີ ຄຳຮ້ອງ (Date of filing of the application)
- (732) ຊື່ ແລະ ທີ່ຢ ບໍ ຂອງຜູ້ຍື່ນຄຳຮ້ອງ (Name and Address of applicant)
- (111) ເລກທີ ການຈົດທະບຽນເຄື່ອງໝາຍການຄ້າ (Number of the registration)
- (180) ວັນໝົດອາຍ ຂອງການຈົດທະບຽນ (Expiration date of the registration)

( 540 )

**Mum-Mum**

(511) 30

(210) No. 47639

(220) 15/11/2022

(732) I LAN FOODS IND. CO., LTD.

No.13, Xincheng Rd., Su'ao Township, Yilan  
County, Taiwan (R.O.C.)

(111) No. 57316

(180) 15/11/2032

( 540 )



(511) 32

(210) No. 46718

(220) 21/02/2022

(732) Osotspa Public Company Limited

348 Ramkhamhaeng Road, Huamak,  
Bangkapi, Bangkok 10240, Thailand

(111) No. 57317

(180) 21/02/2032

( 540 )

**NOODA**

(511) 12

(210) No. 47512

(220) 12/10/2022

(732) ບໍລິສັດ ໂຮດາ ການຄ້າ ຈຳກັດຜູ້ດຽວ

ບ້ານ ໂພນໄຊ, ເມືອງໂພນໂຮງ, ແຂວງວຽງຈັນ, ສປປ  
ລາວ.

(111) No. 57318

(180) 12/10/2032

( 540 )



(511) 39

(210) No. 47424

(220) 09/09/2022

(732) ບໍລິສັດ ທ່ອງທ່ຽວອາຊີຕາເວັນອອກສຽງໃຕ້ ຈຳກັດ

ບ້ານ ນາສຳຜັນ, ນະຄອນຫຼວງພະບາງ, ແຂວງ  
ຫຼວງພະບາງ, ສປປ ລາວ

(111) No. 57319

(180) 09/09/2032

( 540 )



(511) 30

(210) No. 47549

(220) 19/10/2022

(732) SURAPON FTNEST COMPANY LIMITED

247 Moo 1 Theparak Road, Theparak Sub-  
district Muang Samutprakarn District,  
Samutprakarn 10270, Thailand

(111) No. 57395

(180) 19/10/2032

## ພາກທີ III

### (Part III)

## ເຄື່ອງໝາຍການຄ້າ

### Trademarks

### 3. ການຕໍ່ອາຍ

#### (Renewal)

#### ຄຳອະທິບາຍກ່ຽວກັບລະຫັດຫຍໍ້

#### (Introduction of Codes)

- (540) ເຄື່ອງໝາຍການຄ້າ (Trademark)
- (511) ໝວດ (Nice Classification)
- (210) ເລກທີ ຄຳຮ້ອງ (Number of the application)
- (220) ວັນທີ ຄຳຮ້ອງ (Date of filing of the application)
- (732) ຊື່ ແລະ ທີ່ຢ ບໍ ຂອງຜູ້ຍື່ນຄຳຮ້ອງ (Name and Address of applicant)
- (111) ເລກທີການຈັດທະບຽນເຄື່ອງໝາຍການຄ້າ (Number of the registration)
- (180) ການຕໍ່ ອາຍ ການຈັດທະບຽນ (Expiration date of the renewal)

**ພາກທີ III**  
**(Part III)**

**ເຄື່ອງໝາຍການຄ້າ**  
**Trademarks**

**4. ການປ່ຽນແປງ**  
**(Changes)**

**ພາກທີ III**

**(Part III)**

**ເຄື່ອງໝາຍການຄ້າ**

**Trademarks**

**5. ການດັດແກ້**

**(Amendments)**



## ພາກທີ IV

### (Part IV)

## ເຄື່ອງໝາຍການຄ້າຜ່ານລະບົບມາດຣິດ

## Trademarks via Madrid Protocol

### 1. ຄໍາຮ້ອງ

#### (Applications)

#### ຄໍາອະທິບາຍກ່ຽວກັບລະຫັດຫຍໍ້

#### (Introduction of Codes)

- (540) ເຄື່ອງໝາຍການຄ້າ (Trademark)
- (511) ໝວດ (Nice Classification)
- (210) ເລກທີ ຄໍາຮ້ອງ (Number of the application)
- (220) ວັນທີ ຄໍາຮ້ອງ (Date of filing of the application)
- (732) ຊື່ ແລະ ທີ່ຢ ບໍ ຂອງຜູ້ຍື່ນຄໍາຮ້ອງ (Name and Address of applicant)

( 540 )

**GO! TABS**

(511) 03 and 30

(210) No. M/1392069A

(220) 28/04/2023

(732) JNTL Consumer Health I (Switzerland) GmbH  
Gubelstrasse 34 CH-6300 Zug, Switzerland

( 540 )

**EAST**

(511) 09

(210) No. M/1004234

(220) 23/02/2023

(732) East Group Co., Ltd.

No. 6 Northern Industry Road, Songshan  
Lake SCI. & TECH. Industry Park,

Dongguan City, Guangdong Province, China

( 540 )



(511) 39

(210) No. M/1388789

(220) 11/01/2023

(732) Obschestvo s ogranichennoy otvetstvennostyu

SDEK-Global

Krivoschekovskaya, d. 15, k. 1, e. 1, 2, RU-  
630007 Novosibirsk, Russian Federation

( 540 )



(511) 35

(210) No. M/1544418

(220) 11/01/2023

(732) Obschestvo s ogranichennoy otvetstvennostyu

SDEK-Global

Krivoschekovskaya, d. 15, k. 1, e. 1, 2,  
Novosibirsk RU-630007 Novosibirskaya  
oblast, Russian Federation

( 540 )

**BARUK**

(511) 07, 08 and 09

(210) No. M/1732128

(220) 23/03/2023

(732) SHANGHAI HARDEN TOOLS CO., LTD.

Unit 2006, No. 1 100 Lane, East Sport Road,  
Hongkou District Shanghai, China

( 540 )

**GYEON**

(511) 01, 02 and 03

(210) No. M/1732133

(220) 06/01/2023

(732) INNOVATIVE CHEMICALS PTE. LTD.

1 BUKIT BATOK CRESCENT, #04-24  
WCEGA PLAZA SINGAPORE 658064,  
SINGAPORE

( 540 )



(511) 12

(210) No. M/1732170

(220) 23/12/2022

(732) TIANJIN TRACTOR MANUFACTURING  
CO., LTD.

No. 1 Xing Wang Road, Low Carbon  
Industrial Park, Baodi District 301800  
Tianjin, China

( 540 )

**TASMAN**

(511) 12

(210) No. M/1732238

(220) 02/05/2023

(732) Kia Corporation

12, Heolleung-ro, Seocho-gu Seoul 06797,  
Republic of Korea

( 540 )



(511) 05 and 10

(210) No. M/1732242

(220) 09/09/2022

(732) Sansure Biotech Inc.

No. 680, Lusong Road, Changsha High-tech  
Industrial Development Zone, Changsha  
Hunan, China

( 540 )



(511) 05 and 29

(210) No. M/1732260

(220) 27/01/2023

(732) CONG TY CO PHAN THUC PHAM SUA  
TH (TH MILK FOOD JOINT STOCK  
COMPANY)

Xa Nghia Son, huyen Nghia Dan tinh Nghe  
An, Vietnam

( 540 )

**NEUAIRE**

(511) 11, 37 and 40

(210) No. M/1732310

(220) 13/03/2023

(732) Neutrovis Sdn Bhd

Block C, PJ City Development, 15A, Jalan 51  
a/219, Seksyen 51a 46100 Petaling Jaya  
Selangor, Malaysia

( 540 )

**The Princess of  
Wealth**

(511) 09, 28 and 41

(210) No. M/1732342

(220) 21/12/2022

(732) Euro Games Technology Ltd.

4, "Maritsa" Str., "Vranya-Lozen-Triugulnika"  
BG-1151 Sofia, Bulgaria

( 540 )

**BURNING DESIRE**

(511) 09, 28 and 41

(210) No. M/1732343

(220) 23/11/2022

(732) Društvo za trgovija i uslugi EVRO GEJMS

TEHNOLODŽI DOOEL Skopje

Ul. Boris Trajkovski br.214 A 1000 Skopje,

Macedonia, The Former Yugoslav Republic of

( 540 )

**CONSCIOUS  
PLANET**

(511) 41

(210) No. M/1732401

(220) 01/05/2023

(732) ISHA FOUNDATION, INC.

951 Isha Lane McMinnville TN 37110,

United States of America



( 540 )



(511) 41

(210) No. M/1732402

(220) 01/05/2023

(732) ISHA FOUNDATION, INC.

951 Isha Lane McMinnville TN 37110,  
United States of America

( 540 )

**Tiki Fever**

(511) 09, 28 and 41

(210) No. M/1732416

(220) 21/12/2022

(732) Euro Games Technology Ltd.

4, "Maritsa" Str., "Vranya-Lozen-Triugulnika"  
BG-1151 Sofia, Bulgaria

( 540 )

**GRANROAD**

(511) 12

(210) No. M/1732479

(220) 07/04/2023

(732) Kia Corporation

12, Heolleung-ro, Seocho-gu Seoul 06797,  
Republic of Korea

( 540 )

**Egypt Reign**

(511) 09, 28 and 41

(210) No. M/1732582

(220) 21/12/2022

(732) Euro Games Technology Ltd.

4, "Maritsa" Str., "Vranya-Lozen-Triugulnika"  
BG-1151 Sofia, Bulgaria

( 540 )

**MIKRALINAR**

(511) 09, 10, 18, 22, 23, 24 and 25

(210) No. M/1732602

(220) 27/01/2023

(732) HAKRO GmbH

Oberstettener Straße 41 74575 Schrozberg,  
Germany

( 540 )

**KARMLY**

(511) 42

(210) No. M/1732696

(220) 02/05/2023

(732) FLEXITIME LIMITED

11 Chews Lane, Level 1, Wellington Central  
Wellington 6011, New Zealand

( 540 )



(511) 25

(210) No. M/1732734

(220) 20/04/2023

(732) Apple Inc.

One Apple Park Way Cupertino CA 95014,  
United States of America

( 540 )



(511) 12

(210) No. M/1732799

(220) 07/12/2022

(732) CHINA INTERNATIONAL MARINE

CONTAINERS (GROUP) CO., LTD.

8th Floor, CIMC R&D Center, No. 2,

Gangwan Avenue, Shekou Industrial Park,

Nanshan District, Shenzhen 518000

Guangdong Province, China

( 540 )



(511) 30 and 32

(210) No. M/1732808

(220) 12/04/2023

(732) L.K.S. FOOD MAKER CO.,LTD.

170/60-61 Sakae Ngam Road, Samae Dam,  
Bang Khun Thian 10150 Bangkok, Thailand

( 540 )



(511) 09, 36 and 42

(210) No. M/1732840

(220) 08/12/2022

(732) C98 COMPANY LIMITED

Unit 02, 8th Floor, Pearl Plaza Tower, 561A  
Dien Bien Phu Street, Ward 25, Binh Thanh  
District Ho Chi Minh City, Vietnam

( 540 )

**마이밀  
마이키즈  
MYKIDS**

(511) 05, 32 and 35

(210) No. M/1732856

(220) 24/04/2023

(732) DAESANG WELIFE CORPORATION  
8F, 120, Changgyeonggung-ro, Jongno-gu  
Seoul, Republic of Korea

( 540 )

**HOCO**

(511) 35

(210) No. M/1732880

(220) 30/01/2023

(732) HOCO TECHNOLOGY DEVELOPMENT  
(SHENZHEN) CO., LTD  
Rm 408, 4th Floor, Block A, Weidonglong  
Business Building, No.2125, Meilong Road,  
Tsinghua Community, Longhua Street,  
Longhua District, Shenzhen 518000  
Guangdong, China

( 540 )

**bravity**

(511) 03

(210) No. M/1732899

(220) 21/04/2023

(732) J2S Co., Ltd.

#1212, 337, Bupyeong-daero, Bupyeong-gu  
Inchen 07281, Republic of Korea

( 540 )

**Joker Reels**

(511) 09, 28 and 41

(210) No. M/1733075

(220) 29/11/2022

(732) Euro Games Technology Ltd.

4, "Maritsa" Str., "Vranya-Lozen-Triugulnika"  
BG-1151 Sofia, Bulgaria

## ພາກທີ IV

### (Part IV)

## ເຄື່ອງໝາຍການຄ້າຜ່ານລະບົບມາດຣິດ

### Trademarks via Madrid Protocol

#### 2. ຜົນການຈົດທະບຽນ

##### (Registration)

##### ຄໍາອະທິບາຍກ່ຽວກັບລະຫັດຫຍໍ້

##### (Introduction of Codes)

- (540) ເຄື່ອງໝາຍການຄ້າ (Trademark)
- (511) ໝວດ (Nice Classification)
- (210) ເລກທີ ຄໍາຮ້ອງ (Number of the application)
- (220) ວັນທີ ຍື່ນຄໍາຮ້ອງ (Date of filing of the application)
- (732) ຊື່ ແລະ ທີ່ຢ ບໍ ຂອງຜູ້ຍື່ນຄໍາຮ້ອງ (Name and Address of applicant)
- (111) ເລກທີການຈົດທະບຽນເຄື່ອງໝາຍການຄ້າ (Number of the registration)
- (180) ວັນໝົດອາຍ ຂອງການຈົດທະບຽນ (Expiration date of the registration)



( 540 )



(511) 34

(210) No. M/1680981

(220) 15/06/2022

(732) VENUS MANAGEMENT PTE. LTD.

111 NORTH BRIDGE ROAD, #21-03

PENINSULA PLAZA SINGAPORE 179098,

SINGAPORE

(111) No. M/1680981

(180) 15/06/2032

( 540 )

NOMI

(511) 09

(210) No. M/1681770

(220) 07/04/2022

(732) NIO CO., LTD.

SUITE 115, 569 ANCHI ROAD, ANTING

TOWN, JIADING DISTRICT 201805

SHANGHAI, CHINA

(111) No. M/1681770

(180) 07/04/2032

( 540 )



(511) 05 and 10

(210) No. M/1692706

(220) 18/07/2022

(732) Tonghua Dongbao Pharmaceutical Co., Ltd.

Dongbao Xincun, Tonghua County Jilin

Province, China

(111) No. M/1692706

(180) 18/07/2032

( 540 )

**APPLE WATCH  
ULTRA**

(511) 09

(210) No. M/1692743

(220) 22/09/2022

(732) Apple Inc.

One Apple Park Way Cupertino CA 95014,

United States of America

(111) No. M/1692743

(180) 22/09/2032

( 540 )



(511) 09, 28 and 41

(210) No. M/1692774

(220) 16/06/2022

(732) Euro Games Technology Ltd.

"Maritsa" Str. 4, "Vranya-Lozen-Triugulnika"

BG-1151 Sofia, Bulgaria

(111) No. M/1692774

(180) 16/06/2032

( 540 )

**LOLA ROSE**

(511) 09, 14 and 35

(210) No. M/1692806

(220) 15/04/2022

(732) Lola Rose Jewellery Limited

5 Hampstead West, 224 Iverson Road London

EC1V 9EE, United Kingdom

(111) No. M/1692806

(180) 15/04/2032

( 540 )

**KIM LIM**

(511) 03, 05 and 44

(210) No. M/1692934

(220) 28/06/2022

(732) KLHEALTH PTE. LTD.

435 ORCHARD ROAD, #11-00 WISMA

ATRIA SINGAPORE 238877, SINGAPORE

(111) No. M/1692934

(180) 28/06/2032

( 540 )

**GIORNO**

(511) 12

(210) No. M/1692995

(220) 29/08/2022

(732) HONDA MOTOR CO., LTD.

1-1, Minami-Aoyama 2-chome, Minato-ku

Tokyo 107-8556, Japan

(111) No. M/1692995

(180) 29/08/2032

( 540 )

**UEELR**

(511) 09

(210) No. M/1693078

(220) 23/05/2022

(732) Dongguan UEELR Electronic Technology  
Co., Ltd.

Room 101, Building 1, No. 30, Mulun  
Chuangye 1st Road, Changping Town,  
Dongguan Guangdong, China

(111) No. M/1693078

(180) 23/05/2032

( 540 )

**FULFIL**

(511) 05 and 30

(210) No. M/1693179

(220) 05/10/2022

(732) SOREMARTEC S.A.

Route de Trèves 16 L-2633 Senningerberg,  
Luxembourg

(111) No. M/1693179

(180) 05/10/2032

( 540 )



(511) 09, 28 and 41

(210) No. M/1693218

(220) 11/07/2022

(732) Euro Games Technology Ltd.

4, "Maritsa" Str., "Vranya-Lozen-

Triugulnika" BG-1151 Sofia, Bulgaria

(111) No. M/1693218

(180) 11/07/2032

( 540 )



(511) 03, 04, 09, 16, 18, 25, 26 and 35

(210) No. M/1693245

(220) 12/04/2022

(732) Stradivarius España, S.A.

Polígono Industrial de Sabón, Avenida de la

Diputación, s/n E-15142 Arteixo (A Coruña),

Spain

(111) No. M/1693245

(180) 12/04/2032

( 540 )



(511) 07

(210) No. M/1693261

(220) 06/06/2022

(732) Asia Fuji Elevator Co., Ltd.

D-02, Middle Section of Shaoyang Avenue,  
Shuangqing District, Shaoyang City 422002  
Hunan Province, China

(111) No. M/1693261

(180) 06/06/2032

( 540 )

**CLARIS SERVER**

(511) 09

(210) No. M/1693294

(220) 26/09/2022

(732) Claris International Inc.

One Apple Park Way Cupertino CA 95014,  
United States of America

(111) No. M/1693294

(180) 26/09/2032

( 540 )

**CLARIS  
WEBDIRECT**

(511) 09 and 42

(210) No. M/1693305

(220) 26/09/2022

(732) Claris International Inc.

One Apple Park Way Cupertino CA 95014,

United States of America

(111) No. M/1693305

(180) 26/09/2032

( 540 )

**YOSHIKI**

(511) 09 and 28

(210) No. M/1693326

(220) 24/12/2021

(732) Japan Music Agency Co., Ltd.

Yoyogi Kamizonochō 3-3-103, Shibuya-Ku

Tokyo 151-0052, Japan

(111) No. M/1693326

(180) 24/12/2031



( 540 )

## **Gems' Realm**

(511) 09, 28 and 41

(210) No. M/1693445

(220) 11/07/2022

(732) Euro Games Technology Ltd.

4, "Maritsa" Str., "Vranya-Lozen-Triugulnika"

BG-1151 Sofia, Bulgaria

(111) No. M/1693445

(180) 11/07/2032

( 540 )

## **GAMERS ONLY**

(511) 05, 25 and 32

(210) No. M/1693581

(220) 07/06/2022

(732) Gamers Only GmbH

Erfststraße 15-17 50672 Köln, Germany

(111) No. M/1693581

(180) 07/06/2032

( 540 )

***sinochem***

(511) 01, 02, 04, 05, 17, 35, 36 and 42

(210) No. M/1693585

(220) 28/07/2022

(732) SINOCHEM CORPORATION

28 FUXINGMENNEI STREET, XICHENG

DISTRICT BEIJING, CHINA

(111) No. M/1693585

(180) 28/07/2032

( 540 )

**CLIMATEWORKS  
CENTRE**

(511) 09, 16, 35, 41 and 42

(210) No. M/1693816

(220) 07/09/2022

(732) Monash University

Wellington Road CLAYTON VIC 3800,

Australia

(111) No. M/1693816

(180) 07/09/2032

( 540 )

**ARTIENCE**

(511) 01, 02, 09 and 17

(210) No. M/1693870

(220) 31/05/2022

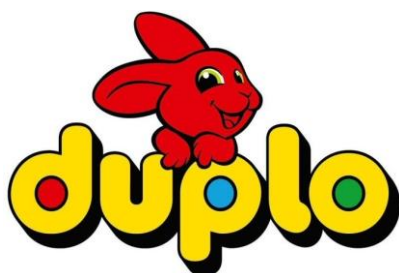
(732) TOYO INK SC HOLDINGS CO., LTD.

2-1, Kyobashi 2-chome, Chuo-ku Tokyo 104-  
8377, Japan

(111) No. M/1693870

(180) 31/05/2032

( 540 )



(511) 09, 16, 21, 25, 28 and 41

(210) No. M/1693882

(220) 19/05/2022

(732) LEGO Juris A/S

Koldingvej 2 DK-7190 Billund, Denmark

(111) No. M/1693882

(180) 19/05/2032

( 540 )

**Kia**

(511) 35

(210) No. M/1693953

(220) 19/09/2022

(732) Kia Corporation

12, Heolleung-ro, Seocho-gu Seoul 06797,

Republic of Korea

(111) No. M/1693953

(180) 19/09/2032

( 540 )

**Kia**

(511) 39

(210) No. M/1694070

(220) 19/09/2022

(732) Kia Corporation

12, Heolleung-ro, Seocho-gu Seoul 06797,

Republic of Korea

(111) No. M/1694070

(180) 19/09/2032

( 540 )

**REALITY  
PROCESSOR**

(511) 09

(210) No. M/1694125

(220) 12/08/2022

(732) Immersive Health Solutions LLC

1209 Orange Street Wilmington DE 19801,

United States of America

(111) No. M/1694125

(180) 12/08/2032

( 540 )

**STAGE MANAGER**

(511) 09

(210) No. M/1694224

(220) 04/10/2022

(732) Apple Inc.

One Apple Park Way Cupertino CA 95014,

United States of America

(111) No. M/1694224

(180) 04/10/2032

( 540 )

**BENEUNDER**

(511) 03, 09, 10 and 43

(210) No. M/1694347

(220) 02/09/2022

(732) Shenzhen Janez Technology Co., Ltd.

Room 1405, HanKing Financial Centre, No.

9968 Shennan Road, Maling Community,

Yuehai Street, Nanshan District 518052

Shenzhen, China

(111) No. M/1694347

(180) 02/09/2032

( 540 )

**TikTok**

(511) 02, 04, 05, 07, 12, 15, 34, 40 and 44

(210) No. M/1694683

(220) 28/04/2022

(732) TikTok Information Technologies UK Limited

6th Floor, One London Wall London EC2Y

5EB, United Kingdom

(111) No. M/1694683

(180) 28/04/2032

( 540 )



(511) 07

(210) No. M/1694743

(220) 18/08/2022

(732) Guangdong Wagna Power Technology Co.,  
Ltd.

No. 71, Xinming Road, Xinming Village,

Leliu Street, Shunde District, Foshan

Guangdong, China

(111) No. M/1694743

(180) 18/08/2032

( 540 )



(511) 12

(210) No. M/1694746

(220) 02/09/2022

(732) Hozon New Energy Automobile Co., Ltd.

No. 988, Tongren Road, Wutong Street,

Tongxiang City, Jiaxing City 314505

Zhejiang Province, China

(111) No. M/1694746

(180) 02/09/2032

( 540 )



(511) 09, 28 and 41

(210) No. M/1694801

(220) 11/07/2022

(732) Euro Games Technology Ltd.

4, "Maritsa" Str., "Vranya-Lozen-

Triugulnika" BG-1151 Sofia, Bulgaria

(111) No. M/1694801

(180) 11/07/2032

( 540 )

**Hepasphere**

(511) 10

(210) No. M/1694838

(220) 25/08/2022

(732) Hygea Medical Technology Co., Ltd.

Room 606, 6/F, Building 9, No. 35, North

Huayuan Road, Haidian District Beijing,

China

(111) No. M/1694838

(180) 25/08/2032



( 540 )



(511) 19

(210) No. M/1694843

(220) 18/08/2022

(732) Chuangke Decoration New Materials (Hebei)  
Co., Ltd.

South of West Section, Zhenxing Road,

Quzhou County, Handan City 057250 Hebei

Province, China

(111) No. M/1694843

(180) 18/08/2032

( 540 )



(511) 05, 35, 42 and 44

(210) No. M/1694896

(220) 31/08/2022

(732) STEMIRNA THERAPEUTICS CO., LTD.

3RD FLOOR, BUILDING 1, NO. 400

FANGCHUN ROAD, CHINA (SHANGHAI)

PILOT FREE TRADE ZONE 201203

SHANGHAI, CHINA

(111) No. M/1694896

(180) 31/08/2032

( 540 )



(511) 09, 12, 16, 35, 36, 38, 39, 41, 42, 44 and 45

(210) No. M/1694931

(220) 05/07/2022

(732) FUNDACION BANCARIA CAIXA

D'ESTALVIS I PENSIONS DE

BARCELONA, "LA CAIXA"

Av. Diagonal, 621-629 E-08028 Barcelona,  
Spain

(111) No. M/1694931

(180) 05/07/2032

( 540 )

**THE SHILLA**

(511) 43

(210) No. M/1694996

(220) 08/09/2022

(732) Hotel Shilla Co., LTD.

249, Dongho-ro, Jung-gu Seoul 04605,  
Republic of Korea

(111) No. M/1694996

(180) 08/09/2032

( 540 )



(511) 09, 28 and 41

(210) No. M/1695050

(220) 11/07/2022

(732) Euro Games Technology Ltd.

4, "Maritsa" Str., "Vranya-Lozen-

Triugulnika" BG-1151 Sofia, Bulgaria

(111) No. M/1695050

(180) 11/07/2032

( 540 )



(511) 09

(210) No. M/1695169

(220) 08/08/2022

(732) KOWA COMPANY, LTD.

6-29, Nishiki 3-chome, Naka-ku, Nagoya-shi

Aichi-ken 460-8625, Japan

(111) No. M/1695169

(180) 08/08/2032

( 540 )

**LIKEBETS** 

(511) 41

(210) No. M/1695294

(220) 08/07/2022

(732) Stropus Ltd.

7-9 Riga Fereou, Lizantia Court, office 310,  
Agiou Omologites CY-1087 Nicosia, Cyprus

(111) No. M/1695294

(180) 08/07/2032

( 540 )

**REALITY PRO**

(511) 09, 10, 42 and 44

(210) No. M/1695408

(220) 19/08/2022

(732) Immersive Health Solutions LLC

1209 Orange Street Wilmington DE 19801,  
United States of America

(111) No. M/1695408

(180) 19/08/2032

( 540 )

**Let the good times  
roll**

(511) 12, 35 and 37

(210) No. M/1695445

(220) 25/08/2022

(732) KAWASAKI MOTORS, LTD.

1-1, Kawasaki-cho, Akashi-shi Hyogo 673-  
8666, Japan

(111) No. M/1695445

(180) 25/08/2032

( 540 )



(511) 03, 05, 10, 21, 35 and 44

(210) No. M/1695502

(220) 17/05/2022

(732) GlaxoSmithKline Consumer Healthcare (UK)

IP Limited

980 Great West Road Brentford, Middlesex

TW8 9GS, United Kingdom

(111) No. M/1695502

(180) 17/05/2032



( 540 )

**BURNING HEART**

(511) 09, 28 and 41

(210) No. M/1695663

(220) 20/06/2022

(732) Euro Games Technology Ltd.

4, "Maritsa" Str., "Vranya-Lozen-Triugulnika"

BG-1151 Sofia, Bulgaria

(111) No. M/1695663

(180) 20/06/2032

( 540 )

**Royale Maxsteel**

(511) 28

(210) No. M/1695666

(220) 10/08/2022

(732) Shenzhen Bosaidong Technology Co., Ltd.

1001, 10th Floor, Building E, Bantian

International Center, No. 5 Huancheng South

Road, Maan Tang Community, Bantian

Street, Longgang District Shenzhen, China

(111) No. M/1695666

(180) 10/08/2032

( 540 )



(511) 09 and 42

(210) No. M/1695701

(220) 26/08/2022

(732) Japan Radio Co., Ltd.

21-11, Mure 6-Chome, Mitaka-shi Tokyo

181-0002, Japan

(111) No. M/1695701

(180) 26/08/2032

( 540 )

**BUBU**

(511) 25

(210) No. M/1695791

(220) 02/09/2022

(732) Junhua WANG

No. 91, Building 23, No. 128 Yard,

Changjiang Middle Road, Erqi District,

Zhengzhou Henan, China

(111) No. M/1695791

(180) 02/09/2032

( 540 )



(511) 09 and 42

(210) No. M/1695884

(220) 29/06/2022

(732) CAHILL SOFTWARE LIMITED

Block 3 Harcourt Centre, Harcourt Road

Dublin 02A339, Ireland

(111) No. M/1695884

(180) 29/06/2032

( 540 )



(511) 25

(210) No. M/1695886

(220) 28/07/2022

(732) The Liverpool Football Club and Athletic

Grounds Limited

Anfield Road Liverpool L4 0TH,

United Kingdom

(111) No. M/1695886

(180) 28/07/2032



( 540 )



(511) 25

(210) No. M/1695888

(220) 27/07/2022

(732) The Liverpool Football Club and Athletic

Grounds Limited

Anfield Road Liverpool L4 0TH,

United Kingdom

(111) No. M/1695888

(180) 27/07/2032

( 540 )

**TAPESTRY**

(511) 09, 35, 38, 39 and 42

(210) No. M/1696013

(220) 30/03/2022

(732) X Development LLC

1600 Amphitheatre Parkway Mountain View

CA 94043, United States of America

(111) No. M/1696013

(180) 30/03/2032

( 540 )



(511) 09, 25 and 28

(210) No. M/1696024

(220) 18/07/2022

(732) CLERMON ET ASSOCIES

83 rue de Tocqueville F-75017 Paris, France

(111) No. M/1696024

(180) 18/07/2032

( 540 )



(511) 09, 14, 18, 25 and 28

(210) No. M/1696025

(220) 18/07/2022

(732) CLERMON ET ASSOCIES

83 rue de Tocqueville F-75017 Paris, France

(111) No. M/1696025

(180) 18/07/2032

( 540 )

The logo for 'ARISEN' features the word in a bold, serif font with a metallic, golden-brown texture and a slight 3D effect. The letters are closely spaced and have a dark shadow beneath them.

(511) 09, 35, 38, 41 and 42

(210) No. M/1696150

(220) 08/07/2022

(732) Stropus Ltd.

7-9 Riga Fereou, Lizantia Court, office 310,  
Agioi Omologites CY-1087 Nicosia, Cyprus

(111) No. M/1696150

(180) 08/07/2032

( 540 )

The logo for 'VALHALLA THUNDERSTORM' consists of two lines of text. 'VALHALLA' is in a bold, golden-yellow font with a metallic texture and a slight 3D effect. 'THUNDERSTORM' is in a bold, blue font with a metallic texture and a slight 3D effect. Both words are closely spaced and have a dark shadow beneath them.

(511) 09, 28 and 41

(210) No. M/1696206

(220) 11/07/2022

(732) Euro Games Technology Ltd.

4, "Maritsa" Str., "Vranya-Lozen-  
Triugulnika" BG-1151 Sofia, Bulgaria

(111) No. M/1696206

(180) 11/07/2032

( 540 )

**WILD WONDER**

(511) 02

(210) No. M/1696231

(220) 04/07/2022

(732) Akzo Nobel Coatings International B.V.

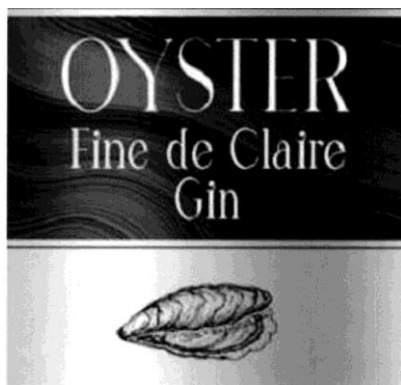
Christian Neefstraat 2 NL-1077 WW

Amsterdam, Netherlands

(111) No. M/1696231

(180) 04/07/2032

( 540 )



(511) 33

(210) No. M/1696241

(220) 01/09/2022

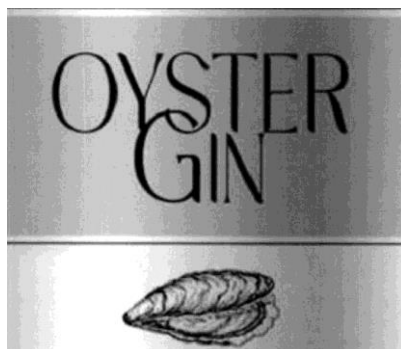
(732) NOBLEWOOD LIMITED

Arch. Makariou III, 206, CHRYSALIA  
COURT, 5TH Floor CY-3030 Limassol,  
Cyprus

(111) No. M/1696241

(180) 01/09/2032

( 540 )



(511) 33

(210) No. M/1696242

(220) 01/09/2022

(732) NOBLEWOOD LIMITED

Arch. Makariou III, 206, CHRYSALIA  
COURT, 5TH Floor CY-3030 Limassol,  
Cyprus

(111) No. M/1696242

(180) 01/09/2032

( 540 )

**FAIRIEMOR**

(511) 29 and 30

(210) No. M/1696433

(220) 25/08/2022

(732) Shanghai FairieMor Food Corp., Ltd.

Unit C1DEF1, 13f, Building 5, 2337 Gudai  
Road, Minhang District Shanghai City, China

(111) No. M/1696433

(180) 25/08/2032

( 540 )

**Kia**

(511) 42

(210) No. M/1696478

(220) 19/09/2022

(732) Kia Corporation

12, Heolleung-ro, Seocho-gu Seoul 06797,

Republic of Korea

(111) No. M/1696478

(180) 19/09/2032

( 540 )

**SONG**

(511) 12

(210) No. M/1696972

(220) 07/09/2022

(732) BYD COMPANY LIMITED

No. 1, Yan'an Road, Kuichong Street, Dapeng

New District 518000 Shenzhen, China

(111) No. M/1696972

(180) 07/09/2032

( 540 )

**Shilla Stay**

(511) 09, 35 and 43

(210) No. M/1697025

(220) 08/09/2022

(732) Hotel Shilla Co., LTD.

249, Dongho-ro, Jung-gu Seoul 04605,

Republic of Korea

(111) No. M/1697025

(180) 08/09/2032

( 540 )

 **SIKENAI**

(511) 09

(210) No. M/1697078

(220) 21/09/2022

(732) SHENZHEN SIKENAI INDUSTRIAL

CO., LIMITED

2 / F and 3 / F, No. 5, Qiushuling Industrial

Zone, E'gongling Community, Pinghu Street,

Longgang District, Shenzhen City Guangdong

Province, China

(111) No. M/1697078

(180) 21/09/2032

( 540 )



(511) 09 and 28

(210) No. M/1697182

(220) 20/06/2022

(732) Euro Games Technology Ltd.

4, "Maritsa" Str., "Vranya-Lozen-

Triugulnika" BG-1151 Sofia, Bulgaria

(111) No. M/1697182

(180) 20/06/2032

( 540 )

**DODAVI**

(511) 18 and 25

(210) No. M/1697255

(220) 05/08/2022

(732) NGUYEN VAN KHUONG

99 Lane 180, Nguyen Luong Bang Street,

Dong Da District Hanoi, Vietnam

(111) No. M/1697255

(180) 05/08/2032



( 540 )

**VINT**

(511) 33

(210) No. M/1697290

(220) 25/10/2022

(732) Constellation Brands U.S. Operations, Inc.

235 NORTH BLOOMFIELD ROAD

Canandaigua NY 14424,

United States of America

(111) No. M/1697290

(180) 25/10/2032

( 540 )

**BAGCO**

(511) 14, 18 and 25

(210) No. M/1697447

(220) 28/06/2022

(732) Guangzhou Aopiya Leather Industrial LLC

No. 1, Shitang Village, Xinya Street, Huadu

District, Guangzhou City 510623 Guangdong

Province, China

(111) No. M/1697447

(180) 28/06/2032

( 540 )

**Luprofroth**

(511) 01

(210) No. M/1697620

(220) 11/10/2022

(732) BASF SE

Carl-Bosch-Str. 38 67063 Ludwigshafen am  
Rhein, Germany

(111) No. M/1697620

(180) 11/10/2032

( 540 )

**Luproset**

(511) 01

(210) No. M/1697769

(220) 11/10/2022

(732) BASF SE

Carl-Bosch-Str. 38 67063 Ludwigshafen am  
Rhein, Germany

(111) No. M/1697769

(180) 11/10/2032

( 540 )

**HOZON**

(511) 09 and 12

(210) No. M/1697785

(220) 02/09/2022

(732) Hozon New Energy Automobile Co., Ltd.

No. 988, Tongren Road, Wutong Street,

Tongxiang City, Jiaxing City 314505 Zhejiang

Province, China

(111) No. M/1697785

(180) 02/09/2032

( 540 )

**icd** BUSINESS  
SCHOOL

(511) 16, 35 and 41

(210) No. M/1694046

(220) 13/06/2022

(732) INSTITUT INTERNATIONAL DU

COMMERCE ET DU DEVELOPPEMENT

1 rue Jacques Bingen F-75017 PARIS, France

(111) No. M/1694046

(180) 13/06/2032

( 540 )



(511) 41 and 42

(210) No. M/1694047

(220) 25/08/2022

(732) Swiss Nutrition and Health Foundation  
(SNHf)

Route de la Corniche 1 CH-1066 Epalinges,  
Switzerland

(111) No. M/1694047

(180) 25/08/2032

( 540 )

**AN APPLE  
ORIGINAL**

(511) 09

(210) No. M/1694179

(220) 29/08/2022

(732) Apple Inc.

One Apple Park Way Cupertino CA 95014,  
United States of America

(111) No. M/1694179

(180) 29/08/2032

( 540 )



(511) 43

(210) No. M/1694217

(220) 16/06/2022

(732) AZALAI Services LLC, société à  
responsabilité limitée

25 Greystone Manor, LEWES DE 19958

County Sussex, United States of America

(111) No. M/1694217

(180) 16/06/2032

( 540 )



(511) 09, 28 and 41

(210) No. M/1694363

(220) 11/07/2022

(732) Euro Games Technology Ltd.

4, "Maritsa" Str., "Vranya-Lozen-

Triugulnika" BG-1151 Sofia, Bulgaria

(111) No. M/1694363

(180) 11/07/2032

( 540 )

**MeetTürkiye**  
where business is pleasure

(511) 35 and 41

(210) No. M/1694992

(220) 25/07/2022

(732) TÜRKİYE TURİZM TANITIM VE  
GELİŞTİRME AJANSI

Esentepe Mahallesi, Büyükdere Caddesi,  
Astoria 127 B/71, Şişli İstanbul, Turkey

(111) No. M/1694992

(180) 25/07/2032

( 540 )

**SHINY  
CASH**

(511) 09, 28 and 41

(210) No. M/1695505

(220) 11/07/2022

(732) Euro Games Technology Ltd.

4, "Maritsa" Str., "Vranya-Lozen-  
Triugulnika" BG-1151 Sofia, Bulgaria

(111) No. M/1695505

(180) 11/07/2032

( 540 )



(511) 03, 05 and 30

(210) No. M/1696924

(220) 19/10/2022

(732) HLH BioPharma GmbH

Auf dem Steinocken 5 58802 Balve,

Germany

(111) No. M/1696924

(180) 19/10/2032

## ພາກທີ IV

### (Part IV)

## ເຄື່ອງໝາຍການຄ້າຜ່ານລະບົບມາດຣິດ

### Trademarks via Madrid Protocol

#### 3. ຜົນການຕໍ່ອາຍຸ

##### (Renewal)

##### ຄຳອະທິບາຍກ່ຽວກັບລະຫັດຫຍໍ້

##### (Introduction of Codes)

- (540) ເຄື່ອງໝາຍການຄ້າ (Trademark)
- (511) ໝວດ (Nice Classification)
- (210) ເລກທີ ຄຳຮ້ອງ (Number of the application)
- (220) ວັນທີ ຍື່ນຄຳຮ້ອງ (Date of filing of the application)
- (732) ຊື່ ແລະ ທີ່ຢ ບໍ ຂອງຜູ້ຍື່ນຄຳຮ້ອງ (Name and Address of applicant)
- (111) ເລກທີການຈັດທະບຽນເຄື່ອງໝາຍການຄ້າ (Number of the registration)
- (180) ການຕໍ່ອາຍຸ ຂອງການຈັດທະບຽນ (Expiration date of the renewal)



**ພາກທີ IV**

**(Part IV)**

**ເຄື່ອງໝາຍການຄ້າຜ່ານລະບົບມາດຣິດ**

**Trademarks via Madrid Protocol**

**4. ການປ່ຽນແປງ**

**(Changes)**

**ພາກທີ IV**

**(Part IV)**

**ເຄື່ອງໝາຍການຄ້າຜ່ານລະບົບມາດຣິດ**

**Trademarks via Madrid Protocol**

**5. ການດັດແກ້**

**(Amendments)**

**ພາກທີ V**  
**(Part V)**  
**ຖິ່ນກຳເນີດ**  
**Geographical Indications**

**1. ຄຳຮ້ອງ**  
**(Applications)**

**ພາກທີ V**  
**(Part V)**  
**ຖິ່ນກຳເນີດ**  
**Geographical Indications**

**2. ຜົນການຈັດທະບຽນ**  
**(Registration)**

**ພາກທີ V**

**(Part V)**

**ຖິ່ນກຳເນີດ**

**Geographical Indications**

**3. ການປ່ຽນແປງ**

**(Changes)**

**ພາກທີ V**  
**(Part V)**  
**ຖິ່ນກຳເນີດ**  
**Geographical Indications**

**4. ການດັດແກ້**  
**(Amendments)**

**ພາກທີ VI**

**(Part VI)**

**ພັນພືດໃໝ່**

**New Plant Varieties**

**1. ຄໍາຮ້ອງ**

**(Applications)**

**ພາກທີ VI**

**(Part VI)**

**ພັນພືດໃໝ່**

**New Plant Varieties**

**2. ຜົນການຈັດທະບຽນ**

**(Registration)**



**ພາກທີ VI**  
**(Part VI)**

**ພັນພືດໃໝ່**  
**New Plant Varieties**

**3. ການປ່ຽນແປງ**  
**(Changes)**

**ພາກທີ VI**

**(Part VI)**

**ພັນພືດໃໝ່**

**New Plant Varieties**

**4. ການດັດແກ້**

**(Amendments)**

**ພາກທີ VII**

**(Part VII)**

**ລິຂະສິດ ແລະ ສິດກ່ຽວຂ້ອງກັບລິຂະສິດ**

**Copyrights and Related Rights**

**1. ການແຈ້ງຂໍ້ມູນ**

**(Notifications)**

**ພາກທີ VII**

**(Part VII)**

**ລິຂະສິດ ແລະ ສິດກ່ຽວຂ້ອງກັບລິຂະສິດ**

**Copyrights and Related Rights**

**2. ການປ່ຽນແປງ**

**(Changes)**

**ພາກທີ VIII**

**(Part VIII)**

**ການແກ້ໄຂຂໍ້ຂັດແຍ່ງທາງດ້ານບໍລິຫານກ່ຽວກັບການຈົດ**

**ທະບຽນຊັບສິນອຸດສາຫະກຳ ແລະ ພັນພືດໃໝ່**

**Administrative Dispute Resolutions on the Registration of  
Industrial Property and New Plant Varieties**

**1. ຜົນການຄັດຄ້ານຄຳຮ້ອງ**

**(Result of Oppositions)**

## **ພາກທີ VIII**

### **(Part VIII)**

**ການແກ້ໄຂຂໍ້ຂັດແຍ່ງທາງດ້ານບໍລິຫານກ່ຽວກັບການຈົດ**

**ທະບຽນຊັບສິນອຸດສາຫະກຳ ແລະ ພັນພືດໃໝ່**

**Administrative Dispute Resolutions on the Registration of  
Industrial Property and New Plant Varieties**

### **2. ຜົນການແຈ້ງປະຕິເສດ**

**(Result of Refusals)**

**ພາກທີ VIII**

**(Part VIII)**

**ການແກ້ໄຂຂໍ້ຂັດແຍ່ງທາງດ້ານບໍລິຫານກ່ຽວກັບການຈົດ  
ທະບຽນຊັບສິນອຸດສາຫະກຳ ແລະ ພັນພືດໃໝ່**

**Administrative Dispute Resolutions on the Registration of  
Industrial Property and New Plant Varieties**

**3. ຜົນການຍົກເລີກ ຫຼື ລົບລ້າງ ຂອງການຈົດທະບຽນ  
(Result of Cancellation or Invalidation of Registration)**