



ສາທາລະນະລັດ ປະຊາທິປະໄຕ ປະຊາຊົນລາວ  
LAO PEOPLE'S DEMOCRATIC REPUBLIC

ກະຊວງ ອຸດສາຫະກຳ ແລະ ການຄ້າ  
ກົມຊັບສິນທາງປັນຍາ

MINISTRY OF INDUSTRY AND COMMERCE  
DEPARTMENT OF INTELLECTUAL PROPERTY

ຈົດໝາຍເຫດທາງລັດຖະການ  
ກ່ຽວກັບ ຊັບສິນທາງປັນຍາ  
ຢູ່ ສປປ ລາວ

OFFICIAL GAZETTE ON INTELLECTUAL PROPERTY  
IN LAO PDR

ສະບັບທີ (Vol.) 213

# ພາກທີ I

## (Part I)

### ສິດທິບັດ ແລະ ອະນຸສິດທິບັດ (Patent and Petty Patent)

#### 1. ຄໍາຮ້ອງ (Applications)

##### ຄໍາອະທິບາຍກ່ຽວກັບລະຫັດຫຍໍ້ (Introduction of Codes)

- (21) ເລກທີ ຄໍາຮ້ອງ (Filing Number)
- (22) ວັນທີ ຍືນຄໍາຮ້ອງ (Filing Date)
- (30) ວັນທີ ບຸລິມະສິດ (Priority Date)
- (43) ວັນທີເຜີຍແຜ່ (Publication Date)
- (51) ໝວດ (International Patent Classification)
- (54) ຊື່ຂອງການປະດິດ (Title)
- (57) ບົດຄັດຫຍໍ້ (Abstract)
- (71) ຊື່ ແລະ ທີ່ຢູ່ ເຈົ້າຂອງສິດທິບັດ ແລະ ອະນຸສິດທິບັດ (Owner Name and Address)
- (72) ຊື່ຜູ້ປະດິດ (Inventor Name)
- (74) ຊື່ຕົວແທນ (Representative Name)
- (55) ຮູບພາບ (Pictures)

# ພາກທີ I (Part I)

## ສິດທິບັດ ແລະ ອະນຸສິດທິບັດ (Patent and Petty Patent)

### 2. ຜົນການອອກສິດທິບັດ ແລະ ອະນຸສິດທິບັດ (Grant of Patents and Petty Patents)

#### ຄຳອະທິບາຍກ່ຽວກັບລະຫັດຫຍໍ້

#### (Introduction of Codes)

- (11) ເລກທິ (Grant Number)
- (21) ເລກທິ ຄຳຮ້ອງ (Filing Number)
- (22) ວັນທິຍືນຄຳຮ້ອງ (Filing Date)
- (30) ວັນທິ ບຸລິມະສິດ (Priority Date)
- (43) ວັນທິເຜີຍແຜ່ (Publication Date)
- (51) ໝວດ (International Patent Classification)
- (54) ຫົວຂໍ້ການປະດິດ (Title)
- (57) ບົດຄັດຫຍໍ້ (Abstract)
- (71) ຊື່ ແລະ ທີ່ຢູ່ ເຈົ້າຂອງສິດທິບັດ ແລະ ອະນຸສິດທິບັດ (Owner Name and Address)
- (72) ຊື່ຜູ້ປະດິດ (Inventor Name)
- (74) ຊື່ຕົວແທນ (Representative Name)
- (55) ຮູບພາບ (Pictures)

Official Gazette of Industrial Property Vol. 213, 30/06/2023

- (11) No. 403
- (21) PA 403
- (22) 11/12/2015
- (30)
- (43)
- (51) Int.Cl.8C 12N 15/82
- (54) ການຄົ້ນພົບເຫດການ MON87751 ຖ້ວເຫລືອງສິ່ງຖ່າຍຜັນຖຸກຳ ແລະ ວິທີການ ກວດສອບ ແລະ ການນຳໃຊ້ເຫຼົ່ານີ້
- (57) ການຄົ້ນພົບ ສະໜອງເຫດການ MON87751 Glycine max ຖ່າຍໂອນຜັນຖຸກຳ ໜຶ່ງ, ພືດ, ຈຸລັງ, ພືດ, ແກ່ນ, ພາກສ່ວນ ພືດ, ພືດ ລູກຫຼານ ແລະ ຜະລິດຕະພັນ ທີ່ເປັນສິນຄ້າ ປະກອບດ້ວຍເຫດການ MON87751ກ. ການຄົ້ນພົບ ຍັງສະໜອງ ໂປລິນຸຍກະເລໂອຕິດ ສະເພາະ ສຳລັບເຫດການ MON87751, ພືດ, ຈຸລັງ ພືດ, ແກ່ນ, ພາກສ່ວນພືດ ແລະ ຜະລິດຕະພັນ ທີ່ເປັນສິນຄ້າ ປະກອບດ້ວຍ ໂປລິນຸຍກະເລໂອຕິດ ສຳລັບ ເຫດການ MON87751. ການຄົ້ນພົບ ຍັງສະໜອງ ບັນດາ ວິທີການ ຝົວຜັນ ເຖິງເຫດການ MON87751.
- (71) MONSANTO TECHNOLOGY LLC  
800 North Lindbergh Blvd., St. Louis, Missouri 63167, United States Of America.
- (72) BEAZLEY, KIM A; BURNS, WENC; COLE, REBERT H, II; MACRAE, TED C;  
MIKLOS, JOHN A; RUSCHKE, LISA G; TIAN, KAIRONG; WEI, LIPING and WU,  
KUNSHENG.
- (74) TILLEKE & GIBBINS LAO CO., LTD.
- (55)

Official Gazette of Industrial Property Vol. 213, 30/06/2023

- (11) No. 490
- (21) PA 490
- (22) 28/02/2017
- (30) 14/675,676 31/03/2015 US; 62/056,387 26/09/2014 US and PCT/US2015/047297  
27/08/2015 US
- (43)
- (51) Int.Cl.
- (54) ON-DEMAND SERVING NETWORK AUTHENTICATION
- (57) A method, an apparatus, and a computer program product for wireless communication are provided. A method includes transmitting a request to a serving network with a nonce and a signature request directed to a network function of the serving network, receiving a response to the request from the serving network, and authenticating the serving network based on the signature of the network function. The nonce may provide replay protection. The response may include a signature of the network function. The request sent to the serving network may include a radio resource control (RRC) message or a tracking area update (TAU) request. The serving network may be authenticated using a trusted third party to verify a certificate associated with the serving network.
- (71) QUALCOMM INCORPORATED  
ATTN: International IP Administration 5775 Morehouse Drive San Diego, California  
92121-1714 (US), United States Of America.
- (72) LEE, Soo Bum; PALANIGOUNDER, Anand and HORN, Gavin.
- (74) CONCETTI-LAO CO., LTD.
- (55)

Official Gazette of Industrial Property Vol. 213, 30/06/2023

- (11) No. 491
- (21) PA 491
- (22) 28/02/2017
- (30) 14/674,763 31/03/2015 US; 62/056,371 26/09/2014 US and PCT/AU2015/047295  
27/08/2015 US
- (43)
- (51) Int.Cl.
- (54) SERVING NETWORK AUTHENTICATION
- (57) A method, an apparatus, and a computer program product for wireless communication are provided. The method may include establishing a connection with a serving network, transmitting an encrypted authentication credential that includes a randomly selected key encryption key (KEK) and a serving network identifier to the serving network, receiving authentication information and a signature from the serving network, and authenticating the serving network by verifying the signature based on the KEK. The encrypted authentication credential may be operative to identify the serving network. The signature may be generated using the KEK.
- (71) QUALCOMM INCORPORATED  
ATTN: International IP Administration 5775 Morehouse Drive San Diego, California  
92121-1714 (US), United States Of America.
- (72) LEE, Soo Bum; PALANIGOUNDER, Anand and HORN, Gavin.
- (74) CONCETTI-LAO CO., LTD.
- (55)

- (11) No. 509
- (21) PA 509
- (22) 28/04/2017
- (30) 62/073,462 31/10/2014 US and 62/167,711 28/05/2015 US
- (43)
- (51) Int.Cl.
- (54) PARAMETRIC MIXING OF AUDIO SIGNALS
- (57) In an encoding section (100), a downmix section (110) forms first and second channels (L1, L2) of a downmix signal as linear combinations of first and second groups (401, 402) of channels, respectively, of an M-channel audio signal; and an analysis section (120) determines upmix parameters ( $\alpha_{LU}$ ) for parametric reconstruction of the audio signal, and mixing parameters ( $\alpha_{LM}$ ). In a decoding section (1200), a decorrelating section (1210) outputs a decorrelated signal (D) based on the downmix signal; and a mixing section (1220) determines mixing coefficients based on the mixing parameters or the upmix parameters, and forms a K-channel output signal ( $\tilde{L}_1, \dots, \tilde{L}_K$ ) as a linear combination of the downmix signal and the decorrelated signal in accordance with the mixing coefficients. The channels of the output signal approximate linear combinations of K groups (501-502, 1301-1303) of channels, respectively, of the audio signal. The K groups constitute a different partition of the audio signal than the first and second groups, and  $2 \leq K < M$ .
- (71) DOLBY INTERNATIONAL AB  
Apollo Building, 3E Herikerbergweg 1-35 NL-1101 CN Amsterdam (NL), Netherlands.
- (72) VILLEMoes, Lars; PURNHAGEN, Heiko and LEHTONEN, Heidi-Maria.
- (74) ACTIP (LAO) IP CO., LTD.
- (55)

Official Gazette of Industrial Property Vol. 213, 30/06/2023

- (11) No. 516
- (21) PA 516
- (22) 11/07/2017
- (30) 62/108,465 27/01/2015 US
- (43)
- (51) Int.Cl.2018.01H 04N 19/119(2014.01), H 04N 19/96(2014.01), H 04N 19/196(2014.01), H 04N 19/13(2014.01)
- (54) CONTEXTS FOR LARGE CODING TREE UNITS
- (57) .
- (71) QUALCOMM INCORPORATED  
Attn: International IP Administration 5775 Morehouse Drive San Diego, California 92121-1714 (US), United States Of America.
- (72) LI, Xiang; ZHANG, Li;; CHEN, Jianle and KARCZEWICZ, Marta.
- (74) CONCETTI-LAO CO., LTD.
- (55)



Official Gazette of Industrial Property Vol. 213, 30/06/2023

- (11) No. 520
- (21) PA 520
- (22) 12/07/2017
- (30) 15/008,399 27/01/2016 US; 62/109,024 28/01/2015 US; 62/126,403 27/02/2015 US;  
62/244,682 21/10/2015 US; 62/245,941 23/10/2015 US; 62/260,155 25/11/2015 US;  
62/278,366 13/01/2016 US and PCT/US2016/015446 28/01/2016 US
- (43)
- (51) Int.Cl.H 04W 52/02
- (54) **TRIGGERED TARGET WAKE TIME OPERATION**
- (57) A method, an apparatus, and a computer-readable medium for wireless communication are provided. In an aspect, an apparatus may be configured to transmit a first message that includes a first trigger field to a second wireless device. The first trigger field may indicate whether the first message includes a request for a trigger message to be sent by the second wireless device at a start of a TWT service period. The apparatus may be configured to receive a second message from the second wireless device. The second message may include a second trigger field based on the first message, and the second trigger field may indicate whether the second wireless device will transmit the trigger message at the start of the TWT service period..
- (71) **QUALCOMM INCORPORATED**  
Attn: International IP Administration 5775 Morehouse Drive San Diego, California 92121-1714 (US), United States Of America.
- (72) TIAN, Bin; BARRIAC, Gwendolyn Denise; MERLIN, Simone; CHERIAN, George and A  
STERJADHI, Alfred.
- (74) **CONCETTI-LAO CO., LTD.**
- (55)

Official Gazette of Industrial Property Vol. 213, 30/06/2023

- (11) No. 541
- (21) PA 541
- (22) 01/08/2017
- (30) 14/804,140 20/07/2015 US; 62/114,159 10/02/2015 US and PCT/US2016/015994  
01/02/2016 US
- (43)
- (51) Int.Cl.H 04W 48/14
- (54) SYSTEM INFORMATION UPDATING
- (57) A first method includes receiving a first signal at a user equipment (UE), where the UE communicates with a network using first system information, the first signal including an indication of whether system information is to be requested by the UE; determining, based at least in part on the first signal, to request updated system information; and requesting updated system information based at least in part on the determining. A second method includes transmitting a first signal from a base station to a UE, where the UE communicates with a network using first system information, the first signal including an indication of whether system information is to be requested by the UE and information to allow the UE to determine to request updated system information; receiving a request from the UE for updated system information; and transmitting the updated system information based at least in part on the request..
- (71) QUALCOMM INCORPORATED  
Attn: International IP Administration 5775 Morehouse Drive San Diego, California 92121-1714 (US), United States Of America.
- (72) KUBOTA, Keiichi and HORN, Gavin, Bernard.
- (74) CONCETTI-LAO CO., LTD.
- (55)

Official Gazette of Industrial Property Vol. 213, 30/06/2023

- (11) No. 577
- (21) PA 577
- (22) 05/03/2018
- (30) 62/210,737 27/08/2015 US
- (43)
- (51) Int.Cl. A 01N 63/02, C 07K 14/325, C 12N 15/82, C 12N 15/32, A 61K 35/742
- (54) NOVEL INSECT INHIBITORY PROTEINS
- (57) Pesticidal proteins exhibiting toxic activity against Lepidopteran pest species are disclosed, and include, but are not limited to, TIC6757, TIC6757PL, TIC7472, TIC7472PL, TIC7473, and TIC7473PL. DNA constructs are provided which contain a recombinant nucleic acid sequence encoding one or more of the disclosed pesticidal proteins. Transgenic plants, plant cells, seed, and plant parts resistant to Lepidopteran infestation are provided which contain recombinant nucleic acid sequences encoding the pesticidal proteins of the present invention. Methods for detecting the presence of the recombinant nucleic acid sequences or the proteins of the present invention in a biological sample, and methods of controlling Lepidopteran species pests using any of the TIC6757, TIC6757PL, TIC7472, TIC7472PL, TIC7473, and TIC7473PL pesticidal proteins are also provided.
- (71) Monsanto Technology LLC  
800 North Lindbergh Boulevard Mail Zone E1NA St. Louis, Missouri 63167  
, United States of America.
- (72) David J. BOWEN; Catherine A. CHAY; Todd A. CICHE; Uma R. KESANAPALLI and Jennifer L. LUTKE.
- (74) Tilleke & Gibbins Lao Co., Ltd.
- (55)

Official Gazette of Industrial Property Vol. 213, 30/06/2023

- (11) No. 598
- (21) PA 598
- (22) 22/06/2018
- (30) 1501007712 22/06/2023 TH
- (43)
- (51) Int.Cl.
- (54) A ROTARY DRYER WITH MULTI-DRYING CHAMBERS
- (57) .
- (71) K.S. Premier Products Co., Ltd.  
4/5 Moo 8 Phai Tam, Nong Khae, Saraburi 18140 Thailand, Thailand.
- (72) KOSONSITTIWIT, Phakorn; KEAWLUAN, Sommas ; NAKSUK, Paisal;  
KOSONSITTIWIT, Thanakrit and CHAISIRINIRUN, Kriangkrai.
- (74) Ageless Lao Sole Co. Ltd.
- (55)

Official Gazette of Industrial Property Vol. 213, 30/06/2023

- (11) No. 648
- (21) PA 648
- (22) 18/03/2019
- (30) JP2018-140270 26/07/2018 JP and JP2018-225017 30/11/2018 JP
- (43)
- (51) Int.Cl. A 01D 61/00(2006.01)
- (54) CULMS CONVEYING DEVICE
- (57) lobjectl to provide a cereal stem feeding device with a spindle of a rotating body fixed in a stable manner, preventing cereal stems from tangling inside the cereal stems feeding device. Solution An object of the present invention 1s achieved by providing a feeding surface extending along a feeding direction of cereal stems; a feeding member feeding cereal stems by moving, near the feeding surface, from the upstream side of the feeding direction of cereal stems to the downstream side; a guide member, disposed at an upstream portion in the feeding direction of cereal stems, for guiding the movement of the feeding member, positioned opposite to the feeding surface with respect to the feeding member; a support for supporting the guide member in such a manner that the guide member is movable in a direction that the distance between the guide member and the feeding surface changes; and a changer, disposed between the support and the guide member, for changing the position of the guide member in the feeding direction of cereal stems.
- (71) ISEKI & CO., LTD  
700 Umaki-cho, Matsuyama-shi, Ehime, JAPAN, Japan.
- (72) Satoshi Kitagawa; Hiroshi Furukawa; Kazuharu Kiyasu; Kazushi Ohara ; Tomohiro inami and Shoji Nakai.
- (74) Lao Interconsult Co., Ltd.(Lao IP Agency).
- (55)

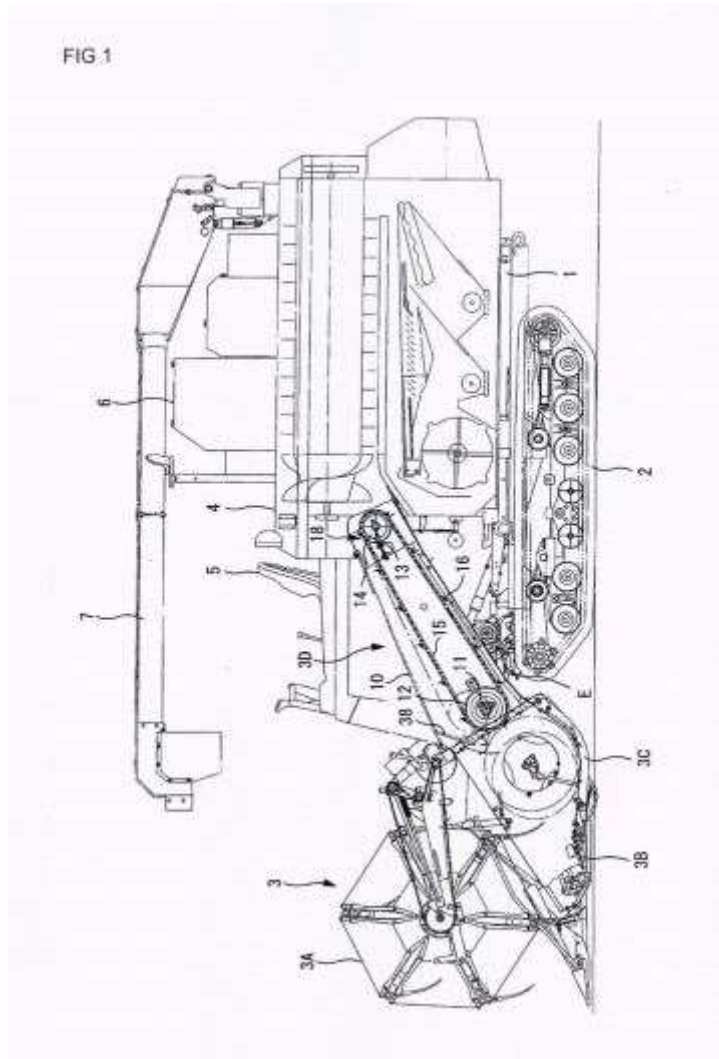


FIG 2

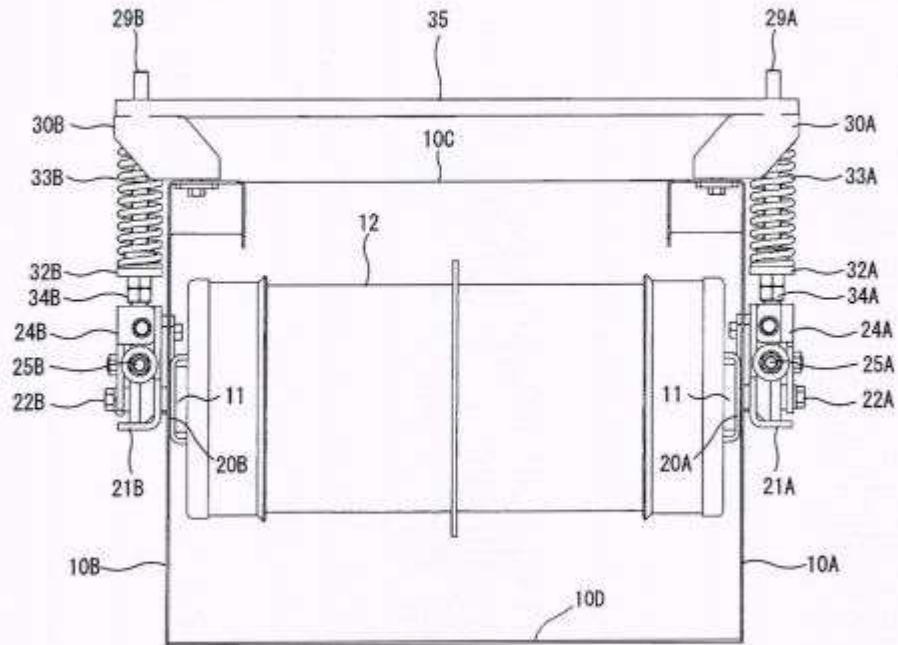
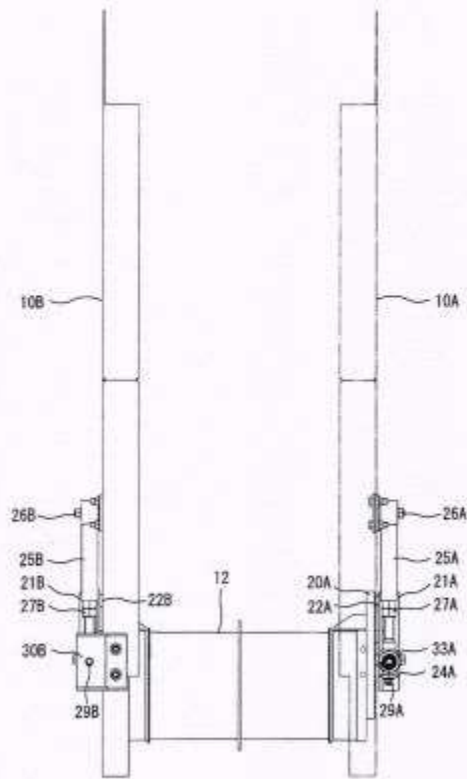


FIG 3





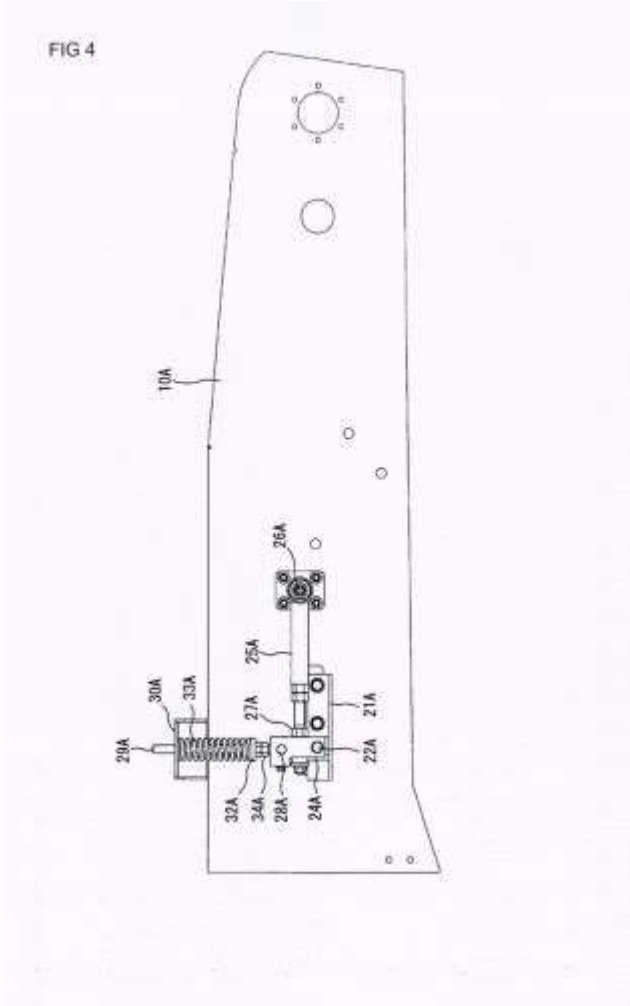
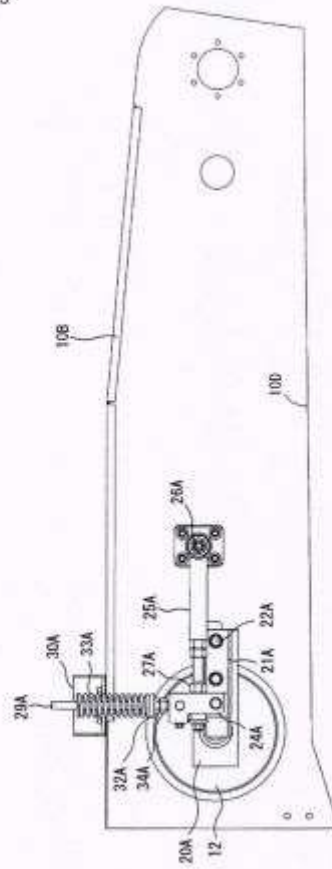


FIG 5



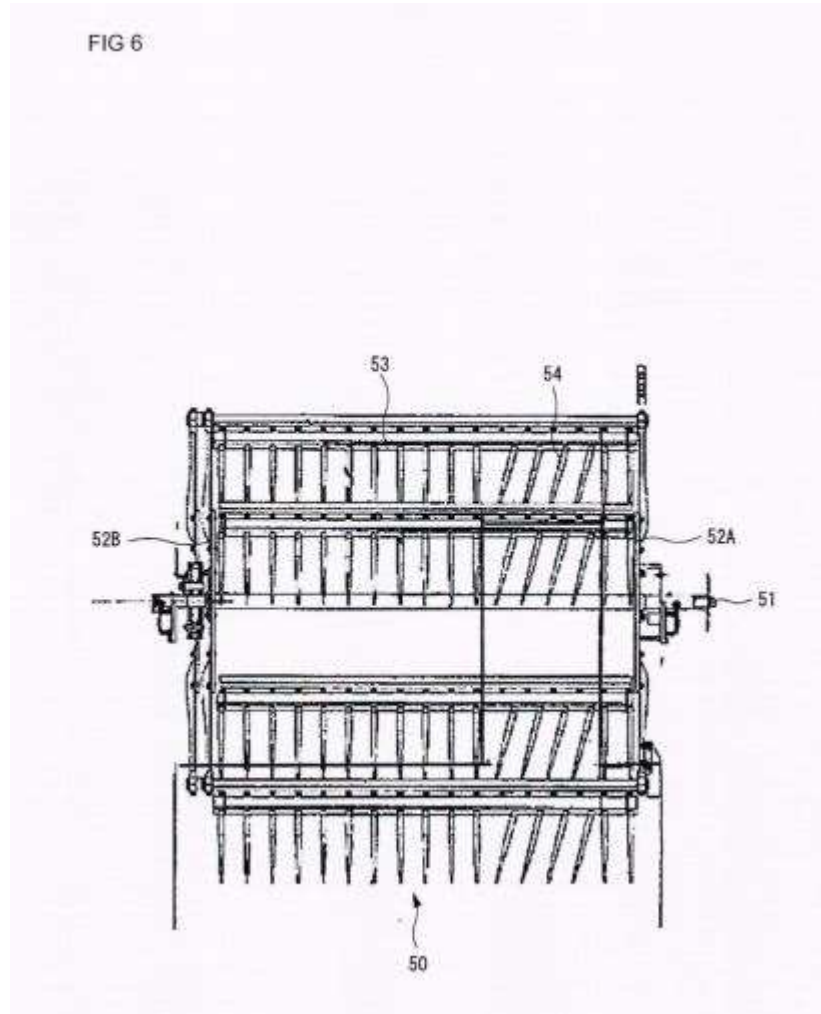
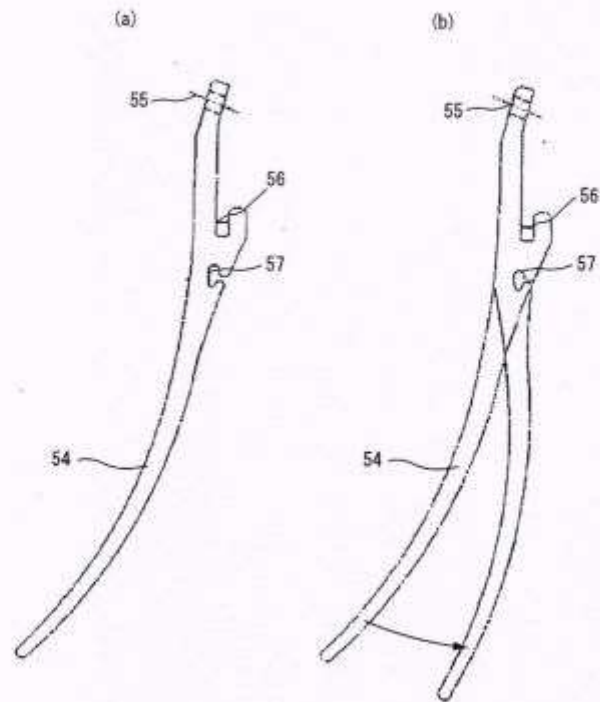
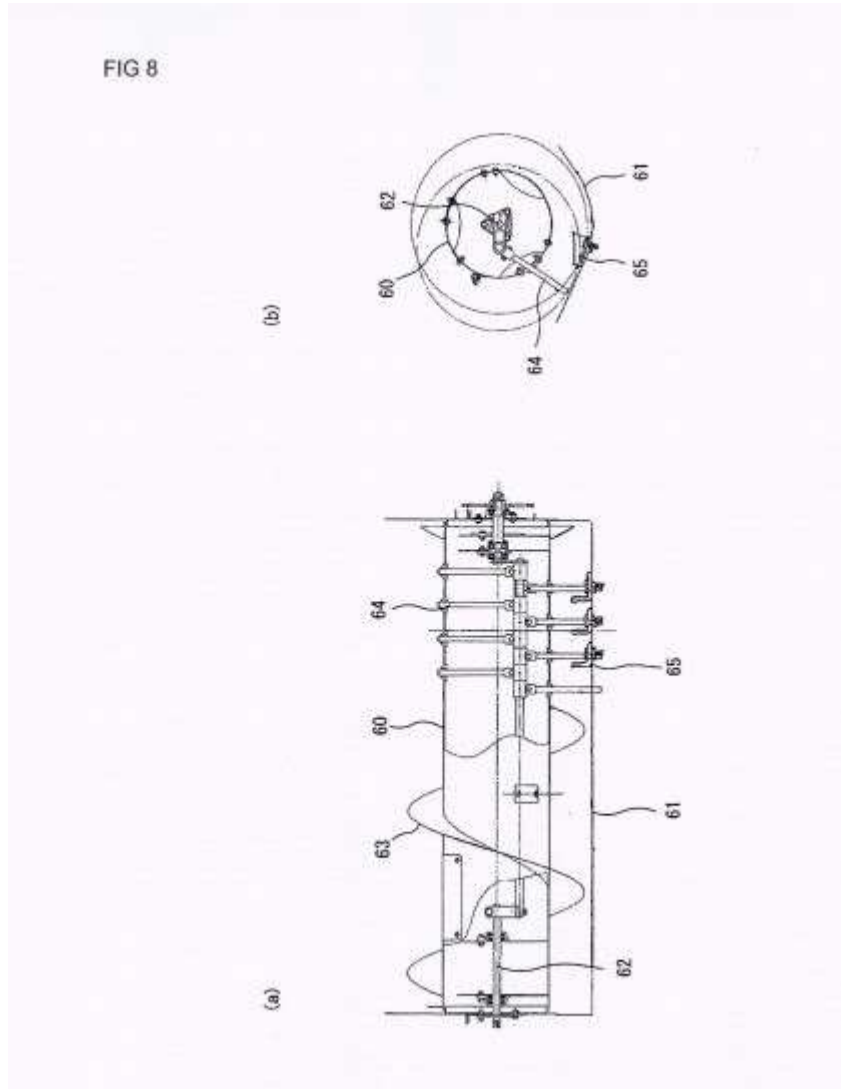


FIG 7





**ພາກທີ I**

**(Part I)**

**ສິດທິບັດ ແລະ ອະນຸສິດທິບັດ**

**(Patent and Petty Patent)**

**3. ການປ່ຽນແປງ**

**(Changes)**

**ພາກທີ I**

**(Part I)**

**ສິດທິບັດ ແລະ ອະນຸສິດທິບັດ  
(Patent and Petty Patent)**

**4. ການດັດແກ້**

**(Amendments)**

**ພາກທີ II**  
**(Part II)**  
**ແບບອຸດສາຫະກຳ**  
**(Industrial Design)**

**1. ຄຳຮ້ອງ**  
**(Applications)**

**ຄຳອະທິບາຍກ່ຽວກັບລະຫັດຫຍໍ້**  
**(Introduction of Codes)**

- (21) ເລກທີ ຄຳຮ້ອງ (Filing Number)
- (22) ວັນທີ ຄຳຮ້ອງ (Filing Date)
- (30) ວັນທີ ບຸລິມາສິດ (Priority Date)
- (51) ໝວດ (Locarno Classification)
- (54) ຊື່ຂອງແບບອຸດສາຫະກຳ (Title)
- (71) ຊື່ ແລະ ທີ່ຢູ່ ຂອງເຈົ້າຂອງ (Owner Name and Address)
- (72) ຊື່ຜູ້ອອກແບບ (Designer Name)
- (74) ຊື່ຕົວແທນ (Representative Name)
- (55) ຮູບພາບ (Pictures)



**ພາກທີ II**  
**(Part II)**  
**ແບບອຸດສາຫະກຳ**  
**(Industrial Design)**

**2. ຜົນການຈົດທະບຽນ**  
**(Registration)**

**ຄຳອະທິບາຍກ່ຽວກັບລະຫັດຫຍໍ້**  
**(Introduction of Codes)**

- (11) ເລກທີ ຈົດທະບຽນ (Registration Number)
- (15) ວັນທີ ຈົດທະບຽນ (Registration Date)
- (21) ເລກທີ ຍືນຄຳຮ້ອງ (Filing Number)
- (22) ວັນທີ ຍືນຄຳຮ້ອງ (Filing Date)
- (30) ວັນທີ ບຸລິມາສິດ (Priority Date)
- (17) ວັນທີ ໝົດອາຍຸ (Expiration Date)
- (51) ໝວດ (Locarno Classification)
- (54) ຊື່ຂອງແບບອຸດສາຫະກຳ (Title)
- (71) ຊື່ ແລະ ທີ່ຢູ່ ຂອງເຈົ້າຂອງ (Owner Name and Address)
- (72) ຊື່ຜູ້ອອກແບບ (Designer Name)
- (74) ຊື່ຕົວແທນ (Representative Name)
- (55) ຮູບພາບ (Pictures)

**ພາກທີ II**  
**(Part II)**  
**ແບບອຸດສາຫະກຳ**  
**(Industrial Design)**

**3. ການປ່ຽນແປງ**  
**(Changes)**

**ພາກທີ II**

**(Part II)**

**ແບບອຸດສາຫະກຳ**

**(Industrial Design)**

**4. ການດັດແກ້**

**(Amendments)**

**ພາກທີ III**  
**(Part III)**  
**ເຄື່ອງໝາຍການຄ້າ**  
**Trademarks**

**1. ຄໍາຮ້ອງ**  
**(Applications)**

**ຄໍາອະທິບາຍກ່ຽວກັບລະຫັດຫຍໍ້**  
**(Introduction of Codes)**

- (540) ເຄື່ອງໝາຍການຄ້າ (Trademark)
- (511) ໝວດ (Nice Classification)
- (210) ເລກທີ ຄໍາຮ້ອງ (Number of the application)
- (220) ວັນທີ ຄໍາຮ້ອງ (Date of filing of the application)
- (732) ຊື່ ແລະ ທີ່ຢູ່ ຂອງຜູ້ຍື່ນຄໍາຮ້ອງ (Name and Address of applicant)

## ພາກທີ III

### (Part III)

## ເຄື່ອງໝາຍການຄ້າ

### Trademarks

#### 2. ຜົນການຈົດທະບຽນ

##### (Registration)

##### ຄຳອະທິບາຍກ່ຽວກັບລະຫັດຫຍໍ້

##### (Introduction of Codes)

- (540) ເຄື່ອງໝາຍການຄ້າ (Trademark)
- (511) ໝວດ (Nice Classification)
- (210) ເລກທີ ຄຳຮ້ອງ (Number of the application)
- (220) ວັນທີ ຄຳຮ້ອງ (Date of filing of the application)
- (732) ຊື່ ແລະ ທີ່ຢູ່ ຂອງຜູ້ຍື່ນຄຳຮ້ອງ (Name and Address of applicant)
- (111) ເລກທີ ການຈົດທະບຽນເຄື່ອງໝາຍການຄ້າ (Number of the registration)
- (180) ວັນໝົດອາຍຸຂອງການຈົດທະບຽນ (Expiration date of the registration)

( 540 )



(511) 35

(210) No. 47070

(220) 08/06/2022

(732) ບໍລິສັດ ຮ້ອຍແປດພັນເກົ້າ ກຮູບ ຈຳກັດ  
ບ້ານ ສະພານທອງເໜືອ, ເມືອງ ສີສັດຕະນາກ,  
ນະຄອນຫຼວງວຽງຈັນ, ສປປ ລາວ

(111) No. 57445

(180) 08/06/2032

( 540 )



(511) 03

(210) No. 45790

(220) 29/04/2021

(732) Karmarts Public Company Limited  
81-81/1 Soi Petchakasem 54 Yak3,  
Bangduan, Phasicharoen Road, Bangduan,  
Phasicharoen Bangkok 10160, Thailand

(111) No. 57447

(180) 29/04/2031

**ພາກທີ III**  
**(Part III)**  
**ເຄື່ອງໝາຍການຄ້າ**  
**Trademarks**

**3. ການຕໍ່ອາຍຸ**  
**(Renewal)**

**ຄຳອະທິບາຍກ່ຽວກັບລະຫັດຫຍໍ້**  
**(Introduction of Codes)**

- (540) ເຄື່ອງໝາຍການຄ້າ (Trademark)
- (511) ໝວດ (Nice Classification)
- (210) ເລກທີ ຄຳຮ້ອງ (Number of the application)
- (220) ວັນທີ ຄຳຮ້ອງ (Date of filing of the application)
- (732) ຊື່ ແລະ ທີ່ຢູ່ ຂອງຜູ້ຍື່ນຄຳຮ້ອງ (Name and Address of applicant)
- (111) ເລກທີການຈັດທະບຽນເຄື່ອງໝາຍການຄ້າ (Number of the registration)
- (180) ການຕໍ່ອາຍຸການຈັດທະບຽນ (Expiration date of the renewal)

**ພາກທີ III**

**(Part III)**

**ເຄື່ອງໝາຍການຄ້າ**

**Trademarks**

**4. ການປ່ຽນແປງ**

**(Changes)**



**ພາກທີ III**  
**(Part III)**  
**ເຄື່ອງໝາຍການຄ້າ**  
**Trademarks**

**5. ການດັດແກ້**  
**(Amendments)**

## ພາກທີ IV

### (Part IV)

## ເຄື່ອງໝາຍການຄ້າຜ່ານລະບົບມາດຣິດ

## Trademarks via Madrid Protocol

### 1. ຄໍາຮ້ອງ

#### (Applications)

#### ຄໍາອະທິບາຍກ່ຽວກັບລະຫັດຫຍໍ້

#### (Introduction of Codes)

- (540) ເຄື່ອງໝາຍການຄ້າ (Trademark)
- (511) ໝວດ (Nice Classification)
- (210) ເລກທີ ຄໍາຮ້ອງ (Number of the application)
- (220) ວັນທີ ຄໍາຮ້ອງ (Date of filing of the application)
- (732) ຊື່ ແລະ ທີ່ຢູ່ ຂອງຜູ້ຍື່ນຄໍາຮ້ອງ (Name and Address of applicant)

( 540 )

**VANGUARD**

(511) 09, 16, 35, 36 and 41

(210) No. M/1013189

(220) 16/05/2023

(732) The Vanguard Group, Inc.

V26, 100 Vanguard Blvd Malvern, PA 19355,  
United States of America

( 540 )

**THE PRISONER**

(511) 33

(210) No. M/1224131

(220) 26/05/2023

(732) TPWC, INC.

101 Mission Street San Francisco CA 94105,  
United States of America

( 540 )

**GREAT EMPIRE**

(511) 09 and 28

(210) No. M/1352486

(220) 16/05/2023

(732) Euro Games Technology Ltd.

"Maritsa" Str. 4, "Vranya-Lozen-Triugulnika"

BG-1151 Sofia, Bulgaria

( 540 )

**RED BLUE**

(511) 32

(210) No. M/1368425

(220) 05/04/2023

(732) CONG TY CO PHAN CHE BIEN THUC

PHAM VA NUOC GIAI KHAT VIET-MY

Sô 55, ngo 670, duong Ha Huy Tap, xa Dinh

Xuyen, huyen Gia Lam Ha Noi, Vietnam

( 540 )

**park inn**  


(511) 43

(210) No. M/1566457

(220) 06/06/2023

(732) Radisson Hospitality Belgium B.V. / S.R.L.

Avenue du Bourget 44 B-1130 Brussel,  
Belgium

( 540 )

**PARK INN**

(511) 36 and 43

(210) No. M/1617490

(220) 06/06/2023

(732) Radisson Hospitality Belgium BV/SRL

Avenue du Bourget 44 B-1130 Brussels,  
Belgium

( 540 )

**100 SOULS**

(511) 33

(210) No. M/1682091

(220) 31/05/2023

(732) Artemis Brand Management Limited

17/F, United Centre, 95 Queensway, Admiralty  
Hong Kong Island, China

( 540 )

**seekbot**

(511) 09 and 14

(210) No. M/1735466

(220) 01/03/2023

(732) Shanghai Tanxun Information Technology

Co., Ltd

Building C, No. 888, West Second Huanhu  
Road, Lingang New Zone, Pilot Free Trade  
Zone 200030 Shanghai, China

( 540 )

**RIMEI**

(511) 06 and 08

(210) No. M/1735518

(220) 02/09/2022

(732) Guangdong Jinda Hardware Products Co.,  
LTD

(F1, F4) No. 78, Sanshui Avenue South,  
Southwest St., Sanshui Dist., Foshan 528132  
Guangdong, China

( 540 )

**FREIGHTNET**

(511) 09

(210) No. M/1735661

(220) 18/05/2023

(732) PCS Software, Inc.

2103 CityWest Blvd., Building 700 Houston  
TX 77042, United States of America

( 540 )



(511) 06

(210) No. M/1735817

(220) 31/03/2023

(732) SUZHOU XINDADI HARDWARE CO.,  
LTD.

Building 1, No. 99, Gaoyang Road, Huangdai  
Town, Xiangcheng District, Suzhou City  
Jiangsu Province, China

( 540 )

**Flaming Diamonds**

(511) 09, 28 and 41

(210) No. M/1735860

(220) 16/01/2023

(732) Euro Games Technology Ltd.

4, "Maritsa" Str., "Vranya-Lozen-Triugulnika"  
BG-1151 Sofia, Bulgaria



( 540 )

The logo for 'Liper' features the word 'liper' in a bold, lowercase, sans-serif font. A thick, black, curved line arches over the letters 'i' and 'p', resembling a stylized light fixture or a protective shield.

(511) 09 and 11

(210) No. M/1735864

(220) 08/02/2023

(732) Zhejiang Liper Lighting Technology CO.,  
LTD

Fifth floor, Building 1, No. 233 Haitang  
Road, Wenzhou Eco & Tech Development  
Zone, Wenzhou City Zhejiang, China

( 540 )

The logo for 'Niterra' consists of the word 'Niterra' in a bold, uppercase, sans-serif font.

(511) 01, 06, 07, 08, 09, 10, 11, 12, 16, 17, 18, 19,  
21, 25, 35, 36, 37, 38, 39, 40, 42 and 44

(210) No. M/1735917

(220) 18/11/2022

(732) NGK SPARK PLUG CO., LTD.

1-1-1, Higashisakura, Higashi-ku Nagoya-shi,  
Japan

( 540 )

**PAYSEND LIBRE**

(511) 09 and 36

(210) No. M/1735950

(220) 23/02/2023

(732) PaySend Group Limited

Suite 2, Ground Floor, Orchard Brae House,  
30 Queensferry Road Edinburgh, Scotland  
EH4 2HS, United Kingdom

( 540 )



(511) 03, 07 and 11

(210) No. M/1736050

(220) 10/01/2023

(732) Wuxi Little Swan Electric Co., Ltd.

No. 18, South Changjiang Road, New  
District, Wuxi 214028 Jiangsu, China

( 540 )

TGOL | The Great  
Ocean Line

(511) 39

(210) No. M/1736181

(220) 21/09/2022

(732) The Great Ocean Line Pte Ltd  
2 CHANGI SOUTH AVENUE 1  
SINGAPORE 486149

( 540 )



(511) 05

(210) No. M/1736201

(220) 07/03/2023

(732) DRAGON SKY (555) CO.,LTD.  
45 Moo 3, Nam Daeng Sub-district 24000  
Mueang Chachoengsao District,  
Chachoengsao, Thailand

( 540 )



(511) 05

(210) No. M/1736202

(220) 07/03/2023

(732) DRAGON SKY (555) CO.,LTD.

45 Moo 3, Nam Daeng Sub-district 24000

Mueang Chachoengsao District,

Chachoengsao Province, Thailand

( 540 )



(511) 09, 28 and 41

(210) No. M/1736203

(220) 09/01/2023

(732) Euro Games Technology Ltd.

4, "Maritsa" Str., "Vranya-Lozen-

Triugulnika" BG-1151 Sofia, Bulgaria

( 540 )

KEVIN&COCO

(511) 03

(210) No. M/1736271

(220) 20/04/2023

(732) Ding Yuying

No. 798, Group 1, Chenguang Village, Yilaha  
Town, Nenjiang County, Heihe City 161400  
Heilongjiang Province, China

( 540 )

  
DIFFUL

(511) 07

(210) No. M/1736274

(220) 18/04/2023

(732) Wenling Shanshi Capacitor Manufactory

No. 55 Hangwen Road, Shanshi, Daxi Town,  
Wenling City Zhejiang, China

( 540 )



(511) 25

(210) No. M/1736467

(220) 28/04/2023

(732) KUNSHAN DO-WIN SPORTS GOODS  
CO., LTD.

Zhoushi Town, Kunshan City, Suzhou City  
Jiangsu Province, China

( 540 )

**DO-WIN**

(511) 25 and 35

(210) No. M/1736468

(220) 28/04/2023

(732) KUNSHAN DO-WIN SPORTS GOODS  
CO., LTD.

Zhoushi Town, Kunshan City, Suzhou City  
Jiangsu Province, China

( 540 )

**CHI FOREST**

(511) 29, 30, 32 and 35

(210) No. M/1736510

(220) 14/04/2023

(732) Chi Forest (Beijing) Food Co., Ltd.  
Room 503, Floor 5, Building No. 6,  
Dongsanhuan North Road, Chaoyang District  
100026 Beijing, China

( 540 )

**DXM**  
德信模架

(511) 07

(210) No. M/1736516

(220) 22/03/2023

(732) Guangdong Dexin Mould Steel Industry Co.,  
Ltd.  
Fengxin Industrial Zone, Fengxiang Street,  
Chenghai District, Shantou City Guangdong,  
China

( 540 )

峰清久润

(511) 17

(210) No. M/1736526

(220) 23/03/2023

(732) Taizhou Jiurun Environmental Protection  
Technology Co., Ltd

58 Xinfu Road, Xinjie Community,

Yonganzhou Town, Gaogang District,

Taizhou City 225300 Jiangsu Province, China

( 540 )

**Holocycle**

(511) 09

(210) No. M/1736545

(220) 23/05/2023

(732) HANGZHOU GUANGLI TECHNOLOGY  
CO.,LTD.

Room 209, 2F, Building 1, 36 Macheng Road,

Xihu District, Hangzhou City 310000

Zhejiang, China



( 540 )

曾三仙

(511) 43

(210) No. M/1736553

(220) 24/05/2023

(732) Zhao Yongqiang

No. 155-12, Gangfeng Village, Jiangbei  
District 400000 Chongqing, China

( 540 )



(511) 11

(210) No. M/1736561

(220) 24/04/2023

(732) Haining Laiante Lighting Co.,Ltd

East of the first floor, No.6 Zhendong Road,  
Yuanhua Town, Haining City 314400  
Zhejiang Province, China

( 540 )



(511) 06

(210) No. M/1736601

(220) 19/05/2023

(732) Guangdong EHE Doors & Windows Industry  
Co., Ltd

No. 2, Minhong road, Changhongling  
industrial park phase two, Shishan town,  
Nanhai district, Foshan city 518000  
Guangdong, China

( 540 )



(511) 03

(210) No. M/1736604

(220) 17/04/2023

(732) BINGO HAIR COSMETIC  
MANUFACTURE LTD.

Building A, #6, North 4th Rd., Heting  
Industrial Zone, Renhe Town, Baiyun  
District, Guangzhou 510470 Guangdong,  
China

( 540 )

**UPI**

(511) 09 and 36

(210) No. M/1736617

(220) 31/03/2023

(732) CHINA UNIONPAY CO., LTD.

No. 498 Guoshoujing Road, Pilot Free Trade  
Zone, Pudong 201203 Shanghai, China

## ພາກທີ IV

### (Part IV)

## ເຄື່ອງໝາຍການຄ້າຜ່ານລະບົບມາດຣິດ

## Trademarks via Madrid Protocol

### 2. ຜົນການຈົດທະບຽນ

#### (Registration)

#### ຄຳອະທິບາຍກ່ຽວກັບລະຫັດຫຍໍ້ (Introduction of Codes)

- (540) ເຄື່ອງໝາຍການຄ້າ (Trademark)
- (511) ໝວດ (Nice Classification)
- (210) ເລກທີ ຄຳຮ້ອງ (Number of the application)
- (220) ວັນທີ ຍື່ນຄຳຮ້ອງ (Date of filing of the application)
- (732) ຊື່ ແລະ ທີ່ຢູ່ ຂອງຜູ້ຍື່ນຄຳຮ້ອງ (Name and Address of applicant)
- (111) ເລກທີການຈົດທະບຽນເຄື່ອງໝາຍການຄ້າ (Number of the registration)
- (180) ວັນໝົດອາຍຸຂອງການຈົດທະບຽນ (Expiration date of the registration)

( 540 )

**ARARAT**

(511) 33

(210) No. M/1087127

(220) 26/10/2022

(732) YEREVAN BRANDY COMPANY, CJSC

2, Admiral Isakov Avenue 0082 YEREVAN,  
Armenia

(111) No. M/1087127

(180) 16/06/2031

( 540 )

**MARTIDERM**

(511) 03

(210) No. M/1126518

(220) 04/11/2022

(732) MARTIDERM SL.

Garnatxa, 20-22 Parque Empresarial de  
Cervello E-08758 Cervelló, Spain

(111) No. M/1126518

(180) 19/06/2032

( 540 )



(511) 01 and 05

(210) No. M/1485675

(220) 27/10/2022

(732) KABUSHIKI KAISHA HYPONeX JAPAN

(doing business as HYPONeX JAPAN  
CORP., LTD.)

1-94, 1-chome, Tsukuda, Nishiyodogawa-ku,  
Osaka-shi Osaka 555-0001, Japan

(111) No. M/1485675

(180) 05/06/2029

( 540 )



(511) 05, 08, 09, 14, 16, 18, 21, 25, 28, 29, 30, 32,  
35, 39, 41, 43 and 44

(210) No. M/1536797

(220) 26/10/2022

(732) Oatly AB

Box 588 SE-201 25 Malmö, Sweden

(111) No. M/1536797

(180) 20/12/2029

( 540 )

The logo for 'Goeco' is written in a lowercase, rounded, sans-serif font. The letters are black and have a slightly irregular, hand-drawn appearance.

(511) 11

(210) No. M/1564084

(220) 28/10/2022

(732) Sears (Shenzhen) Technology Co., Ltd

Rm 1903U, Bldg 12, Manjinghua Xiyueli,

Huating II, No. 6, Yincui Rd, Nanlian

Longgang St, Shenzhen, China

(111) No. M/1564084

(180) 04/11/2030

( 540 )

The logo for 'RESVELDEN' is written in a bold, uppercase, sans-serif font. The letters are black and have a slightly irregular, hand-drawn appearance.

(511) 05

(210) No. M/1663279

(220) 03/11/2022

(732) Janssen Pharmaceutica NV

Turnhoutseweg 30 B-2340 Beerse, Belgium

(111) No. M/1663279

(180) 03/05/2032

( 540 )

**LOUIS VUITTON**

(511) 03, 04, 05, 06, 07, 08, 09, 10, 11, 12, 14, 15,  
16, 18, 20, 21, 22, 23, 24, 25, 26, 27, 28, 29, 30, 31,  
32, 33, 34, 35, 40, 41, 42, 43 and 44

(210) No. M/1693012

(220) 17/01/2023

(732) LOUIS VUITTON MALLETIER

2 rue du Pont-Neuf F-75001 Paris, France

(111) No. M/1693012

(180) 11/02/2032

( 540 )

**KIVA**

(511) 03, 05 and 32

(210) No. M/1695827

(220) 20/10/2022

(732) Kiva Health Brands LLC

99-1295 Waiua Place, Unit B1 Aiea HI 96701,

United States of America

(111) No. M/1695827

(180) 20/10/2032



( 540 )

The logo for IWA consists of the letters 'IWA' in a bold, black, sans-serif font. The letters are slightly slanted to the right.

(511) 07

(210) No. M/1696435

(220) 24/10/2022

(732) SHANGHAI IWA POWER TECHNOLOGY  
CO.,LTD.

Manufacturing Workshop, No2636, JunGong  
Rd, Yangpu District Shanghai, China

(111) No. M/1696435

(180) 24/10/2032

( 540 )

The logo for SUSHIJIRO features the word 'SUSHIJIRO' in a stylized, outlined font. To the right of the word are the Japanese characters '寿司次郎' (Sushi Jiro) in a blue, sans-serif font.

(511) 43

(210) No. M/1697176

(220) 25/10/2022

(732) SUSHIJIRO IP PTY LTD

Level 7, SE 1 520 Collins St Melbourne VIC  
3000, Australia

(111) No. M/1697176

(180) 25/10/2032

( 540 )



(511) 07

(210) No. M/1697361

(220) 24/10/2022

(732) SHANDONG CARTER HEAVY  
INDUSTRY MACHINERY CO.,LTD.

Linshu Economic & Technological

Development Zone, Linyi Shandong, China

(111) No. M/1697361

(180) 24/10/2032

( 540 )

*Micdynatech*

(511) 09

(210) No. M/1697782

(220) 24/10/2022

(732) NIE YING

No. 300, Beixin Street, Shimen Town,

Jiangjin District 402260 Chongqing, China

(111) No. M/1697782

(180) 24/10/2032

( 540 )



(511) 30

(210) No. M/1339334

(220) 20/10/2021

(732) SOREMARTEC S.A.

16, Route de Trèves L-2633 Senningerberg,

Luxembourg

(111) No. M/1339334

(180) 10/01/2027

( 540 )

LANDKING  
蓝擎

(511)

(210) No. M/1665016

(220) 07/03/2022

(732) Weichai Power Co., Ltd.

197, Section A, Fushou East Street, High  
Technology Industrial Development Zone,  
Weifang City 261061 261061 Shandong

Province, China

(111) No. M/1665016

(180) 07/03/2032

( 540 )

**INVEGA HAFYERA**

(511) 05

(210) No. M/1572422

(220) 17/12/2020

(732) Janssen Pharmaceutica NV

Turnhoutseweg 30 B-2340 Beerse, Belgium

(111) No. M/1572422

(180) 17/12/2030

## ພາກທີ IV

### (Part IV)

## ເຄື່ອງໝາຍການຄ້າຜ່ານລະບົບມາດຣິດ

## Trademarks via Madrid Protocol

### 3. ຜົນການຕໍ່ອາຍຸ

#### (Renewal)

#### ຄຳອະທິບາຍກ່ຽວກັບລະຫັດຫຍໍ້

#### (Introduction of Codes)

- (540) ເຄື່ອງໝາຍການຄ້າ (Trademark)
- (511) ໝວດ (Nice Classification)
- (210) ເລກທີ ຄຳຮ້ອງ (Number of the application)
- (220) ວັນທີ ຍື່ນຄຳຮ້ອງ (Date of filing of the application)
- (732) ຊື່ ແລະ ທີ່ຢູ່ ຂອງຜູ້ຍື່ນຄຳຮ້ອງ (Name and Address of applicant)
- (111) ເລກທີການຈົດທະບຽນເຄື່ອງໝາຍການຄ້າ (Number of the registration)
- (180) ການຕໍ່ອາຍຸຂອງການຈົດທະບຽນ (Expiration date of the renewal)

**ພາກທີ IV**

**(Part IV)**

**ເຄື່ອງໝາຍການຄ້າຜ່ານລະບົບມາດຣິດ**

**Trademarks via Madrid Protocol**

**4. ການປ່ຽນແປງ**

**(Changes)**

**ພາກທີ IV**

**(Part IV)**

**ເຄື່ອງໝາຍການຄ້າຜ່ານລະບົບມາດຣິດ**

**Trademarks via Madrid Protocol**

**5. ການດັດແກ້**

**(Amendments)**

**ພາກທີ V**  
**(Part V)**  
**ຖິ່ນກຳເນີດ**  
**Geographical Indications**

**1. ຄຳຮ້ອງ**  
**(Applications)**



ພາກທີ V  
(Part V)  
ຖິ່ນກຳເນີດ  
**Geographical Indications**

2. ຜົນການຈົດທະບຽນ  
(Registration)

**ພາກທີ V**

**(Part V)**

**ຖິ່ນກຳເນີດ**

**Geographical Indications**

**3. ການປ່ຽນແປງ**

**(Changes)**

**ພາກທີ V**  
**(Part V)**  
**ຖິ່ນກຳເນີດ**  
**Geographical Indications**

**4. ການດັດແກ້**  
**(Amendments)**

**ພາກທີ VI**

**(Part VI)**

**ພັນພືດໃໝ່**

**New Plant Varieties**

**1. ຄໍາຮ້ອງ**

**(Applications)**

**ພາກທີ VI**

**(Part VI)**

**ພັນພືດໃໝ່**

**New Plant Varieties**

**2. ຜົນການຈັດທະບຽນ**

**(Registration)**

**ພາກທີ VI**  
**(Part VI)**

**ພັນພືດໃໝ່**  
**New Plant Varieties**

**3. ການປ່ຽນແປງ**  
**(Changes)**

**ພາກທີ VI**

**(Part VI)**

**ພັນພືດໃໝ່**

**New Plant Varieties**

**4. ການດັດແກ້**

**(Amendments)**

**ພາກທີ VII**

**(Part VII)**

**ລິຂະສິດ ແລະ ສິດກ່ຽວຂ້ອງກັບລິຂະສິດ**

**Copyrights and Related Rights**

**1. ການແຈ້ງຂໍ້ມູນ**

**(Notifications)**



**ພາກທີ VII**

**(Part VII)**

**ລິຂະສິດ ແລະ ສິດກ່ຽວຂ້ອງກັບລິຂະສິດ**

**Copyrights and Related Rights**

**2. ການປ່ຽນແປງ**

**(Changes)**

**ພາກທີ VIII**

**(Part VIII)**

**ການແກ້ໄຂຂໍ້ຂັດແຍ່ງທາງດ້ານບໍລິຫານກ່ຽວກັບການຈົດທະບຽນຊັບ**

**ສິນອຸດສາຫະກຳ ແລະ ພັນພືດໃໝ່**

**Administrative Dispute Resolutions on the Registration of  
Industrial Property and New Plant Varieties**

**1. ຜົນການຄັດຄ້ານຄຳຮ້ອງ**

**(Result of Oppositions)**

## **ພາກທີ VIII**

### **(Part VIII)**

**ການແກ້ໄຂຂໍ້ຂັດແຍ່ງທາງດ້ານບໍລິຫານກ່ຽວກັບການຈົດທະບຽນຊັບ  
ສິນອຸດສາຫະກຳ ແລະ ພັນພືດໃໝ່**

**Administrative Dispute Resolutions on the Registration of  
Industrial Property and New Plant Varieties**

#### **2. ຜົນການແຈ້ງປະຕິເສດ**

**(Result of Refusals)**

**ພາກທີ VIII**

**(Part VIII)**

**ການແກ້ໄຂຂໍ້ຂັດແຍ່ງທາງດ້ານບໍລິຫານກ່ຽວກັບການຈັດທະບຽນຊັບ  
ສິນອຸດສາຫະກຳ ແລະ ພັນພືດໃໝ່**

**Administrative Dispute Resolutions on the Registration of  
Industrial Property and New Plant Varieties**

**3. ຜົນການຍົກເລີກ ຫຼື ລົບລ້າງ ຂອງການຈັດທະບຽນ  
(Result of Cancellation or Invalidation of Registration)**