



ສາທາລະນະລັດ ປະຊາທິປະໄຕ ປະຊາຊົນລາວ  
LAO PEOPLE'S DEMOCRATIC REPUBLIC

ກະຊວງ ອຸດສາຫະກຳ ແລະ ການຄ້າ  
ກົມຊັບສິນທາງປັນຍາ  
MINISTRY OF INDUSTRY AND COMMERCE  
DEPARTMENT OF INTELLECTUAL PROPERTY

ຈົດໝາຍເຫດທາງລັດຖະການ  
ກ່ຽວກັບ ຊັບສິນທາງປັນຍາ  
ຢູ່ ສປປ ລາວ

OFFICIAL GAZETTE ON INTELLECTUAL PROPERTY  
IN LAO PDR

# ພາກທີ I

## (Part I)

### ສິດທິບັດ ແລະ ອະນຸສິດທິບັດ (Patent and Petty Patent)

#### 1. ຄໍາຮ້ອງ (Applications)

##### ຄໍາອະທິບາຍກ່ຽວກັບລະຫັດຫຍໍ້ (Introduction of Codes)

- (21) ເລກທີ ຄໍາຮ້ອງ (Filing Number)
- (22) ວັນທີ ຍືນຄໍາຮ້ອງ (Filing Date)
- (30) ວັນທີ ບຸລິມະສິດ (Priority Date)
- (43) ວັນທີເຜີຍແຜ່ (Publication Date)
- (51) ໝວດ (International Patent Classification)
- (54) ຊື່ຂອງການປະດິດ (Title)
- (57) ບົດຄັດຫຍໍ້ (Abstract)
- (71) ຊື່ ແລະ ທີ່ຢູ່ ເຈົ້າຂອງສິດທິບັດ ແລະ ອະນຸສິດທິບັດ (Owner Name and Address)
- (72) ຊື່ຜູ້ປະດິດ (Inventor Name)
- (74) ຊື່ຕົວແທນ (Representative Name)
- (55) ຮູບພາບ (Pictures)

# ພາກທີ I

## (Part I)

### ສິດທິບັດ ແລະ ອະນຸສິດທິບັດ (Patent and Petty Patent)

#### 2. ຜົນການອອກສິດທິບັດ ແລະ ອະນຸສິດທິບັດ (Grant of Patents and Petty Patents)

##### ຄຳອະທິບາຍກ່ຽວກັບລະຫັດຫຍໍ້

##### (Introduction of Codes)

- (11) ເລກທີ (Grant Number)
- (21) ເລກທີ ຄຳຮ້ອງ (Filing Number)
- (22) ວັນທີຍືນຄຳຮ້ອງ (Filing Date)
- (30) ວັນທີ ບຸລິມະສິດ (Priority Date)
- (43) ວັນທີເຜີຍແຜ່ (Publication Date)
- (51) ໝວດ (International Patent Classification)
- (54) ຫົວຂໍ້ການປະດິດ (Title)
- (57) ບົດຄັດຫຍໍ້ (Abstract)
- (71) ຊື່ ແລະ ທີ່ຢູ່ ເຈົ້າຂອງສິດທິບັດ ແລະ ອະນຸສິດທິບັດ (Owner Name and Address)
- (72) ຊື່ຜູ້ປະດິດ (Inventor Name)
- (74) ຊື່ຕົວແທນ (Representative Name)
- (55) ຮູບພາບ (Pictures)

Official Gazette of Industrial Property Vol. 278, 15/11/2024

- (11) No. 88
- (21) PPA 88
- (22) 27/07/2022
- (30)
- (43)
- (51) Int.Cl. E 21D 11/38(2006.01)
- (54) LONGITUDINAL WATERSTOP POSITIONING FIXTURE FOR TUNNEL CONSTRUCTION
- (57) The present application discloses a longitudinal waterstop positioning fixture for tunnel construction, which includes a base plate arranged on the short wall, a moving plate and a driving assembly driving the moving plate are arranged on the base plate, a connecting rod is fixedly connected on the moving plate, one end of the connecting rod extends out of the side of the moving plate and is connected with a clamping mechanism for clamping the water stop. The present application has the effect of making the installation of water stop straight and ensuring the installation position of water stop accurate.
- (71) The Third Engineering Co., Ltd. of CREC Guangzhou Group  
No. 46 Zhanbei Road, Duanzhou District, Zhaoqing, Guangdong 526020, China , China  
China Railway Guangzhou Engineering Group Co., Ltd.  
No. 582, Jingang Avenue, Nansha District Guangzhou, Guangdong 511457, China, China.
- (72) TANG, Jigui ; WANG, Hongchao; XU, Zhaojiao; GAO, Yang; GENG, Xuequan; ZHENG, Yuming; ZHOU, Xiong; LI, Zongwen and LIU, Wei.
- (74) ACTIP (LAO) IP CO., LTD.
- (55)

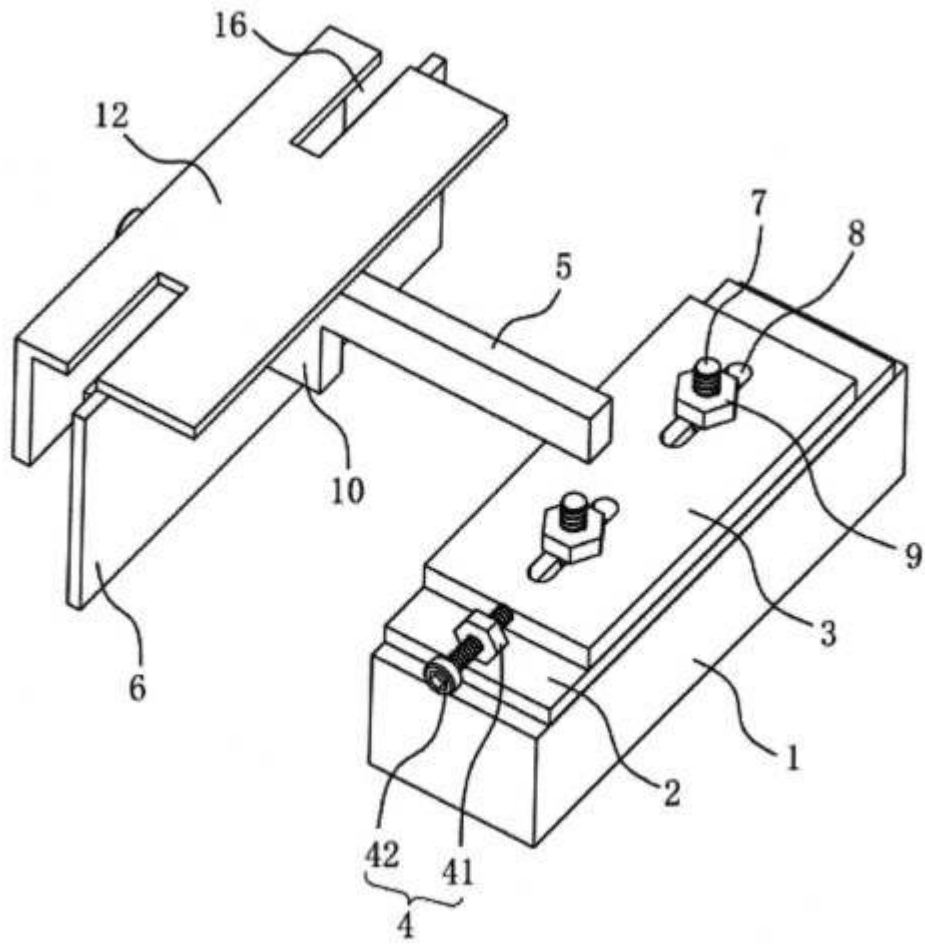


FIG. 1

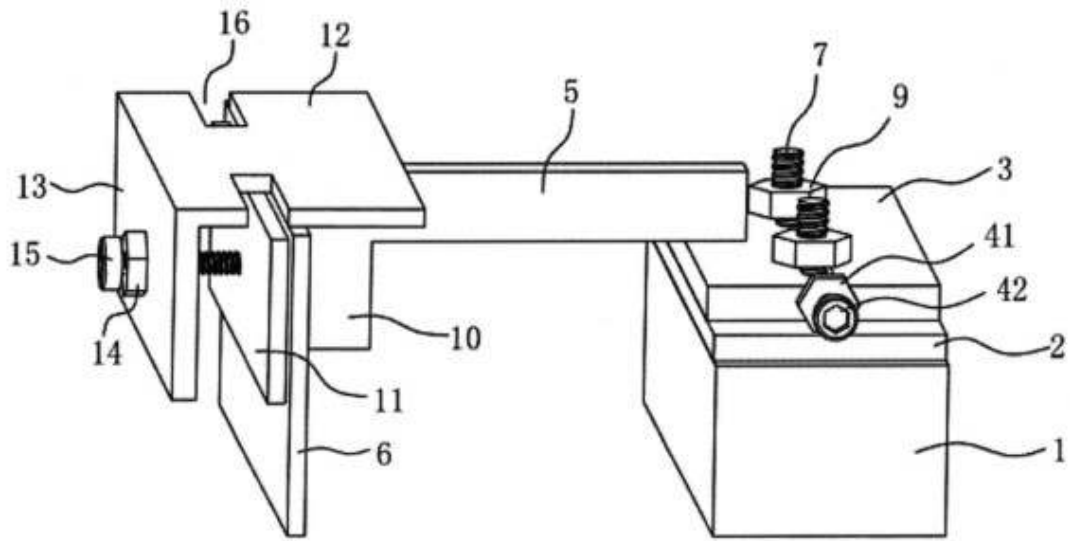


FIG. 2

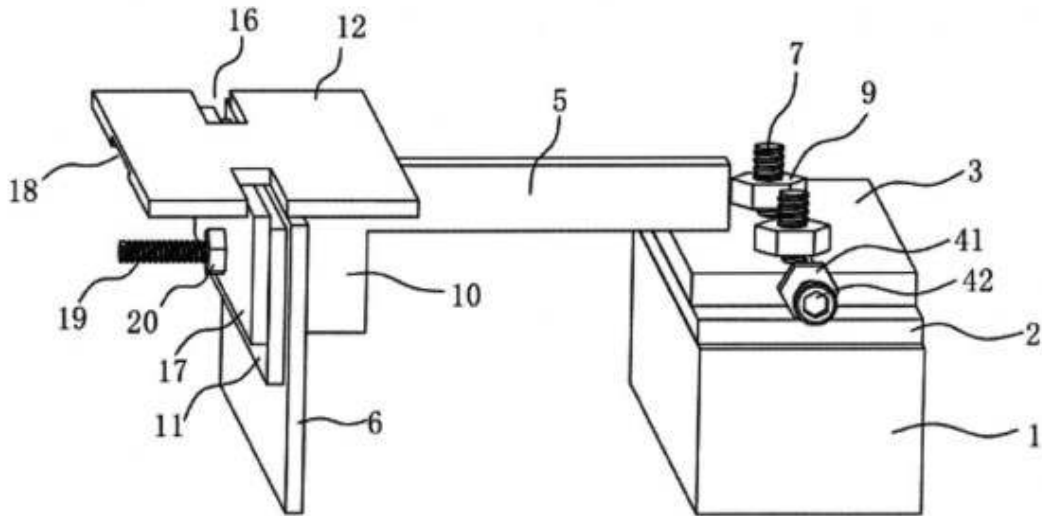


FIG. 3

Official Gazette of Industrial Property Vol. 278, 15/11/2024

- (11) No. 725
- (21) PA 725
- (22) 15/07/2020
- (30) US 15/990,141 25/05/2018 US; US 62/625,182 01/02/2018 US and US 62/639,211 06/03/2018 US
- (43)
- (51) Int.Cl.C 02F 103/42(2006.01), C 02F 103/00(2006.01), E 04H 4/12(2006.01), E 04H 4/00(2006.01), A 63G 31/00(2006.01)
- (54) A PUBLICLY ACCESSIBLE URBAN BEACH ENTERTAINMENT COMPLEX WITH A CENTERPIECE MAN-MADE TROPICAL-STYLE LAGOON AND METHOD FOR PROVIDING EFFICIENT UTILIZATION OF LIMITED USE LAND
- (57) A publicly accessible urban beach entertainment complex is disclosed, with a man- made tropical, pristine-clear lagoon as the centerpiece of the complex, with surrounding entertainment, educational, sports, and commercial facilities, the complex having controlled public access and providing the look and feel of a tropical beach with clear waters and sandy beaches. In addition a method for efficiently utilizing facilities and land that are vacant, underutilized, have limited uses, or that are contiguous to or nearby recreational, educational, sports, or commercial venues is disclosed. The method providing a publicly accessible urban beach entertainment complex with a centerpiece man-made tropical-style pristine- clear lagoon. The method allows for generating revenue and increasing efficiency by pairing vacant sites, underutilized sites, limited use land, or sites that are contiguous to entertainment, educational, sports, and/or commercial venues with urban beach entertainment complexes. The complex preferably has a controlled public access, thereby allowing entrance upon payment of a fee.
- (71) CRYSTAL LAGOONS TECHNOLOGIES, INC  
1209 ORANGE STREET WILMINGTON, DE 19801,US, United States of America.
- (72) FISCHMANN TORRES, Fernando, Benjamin.
- (74) Tilleke & Gibbins Lao Co., Ltd.
- (55)

Fig. 1

Fig. 2

Fig. 1

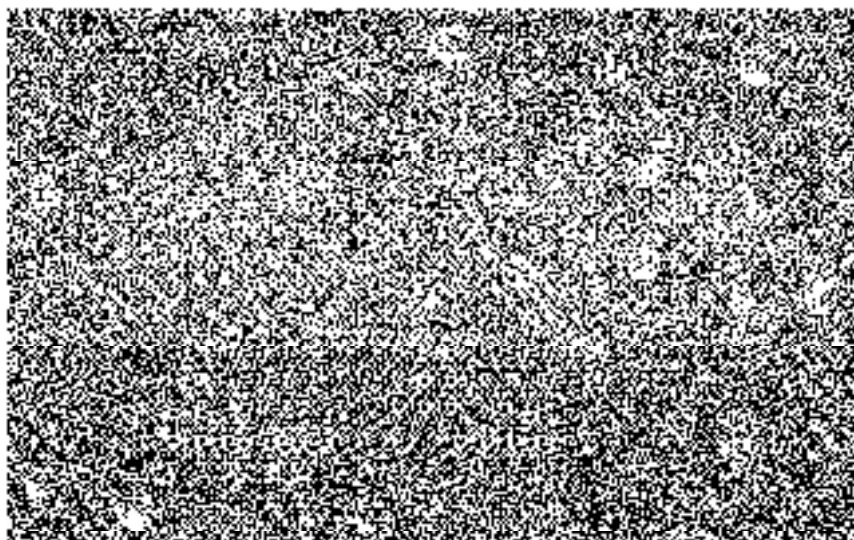


Fig. 2



Fig. 3



FIG. 1

FIG. 2

FIG. 1

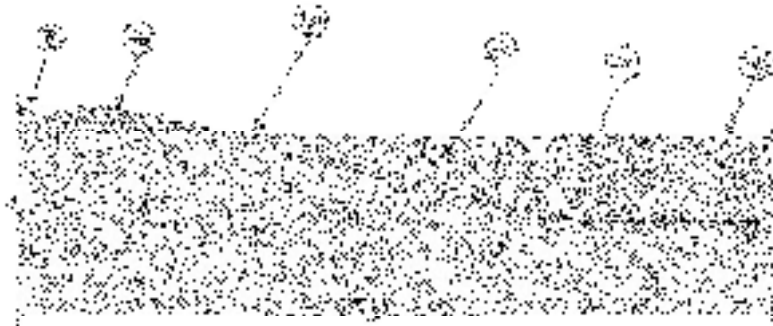


FIG. 2



FIG. 3

FIG. 1

FIG. 2

FIG. 3

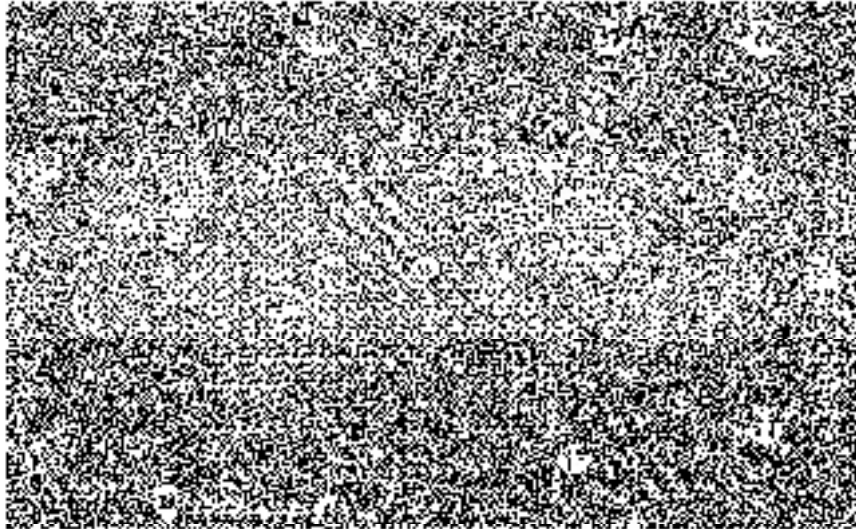


FIG. 4



FIG. 5

4295141319

1477.0520121.01563

Fig. 1

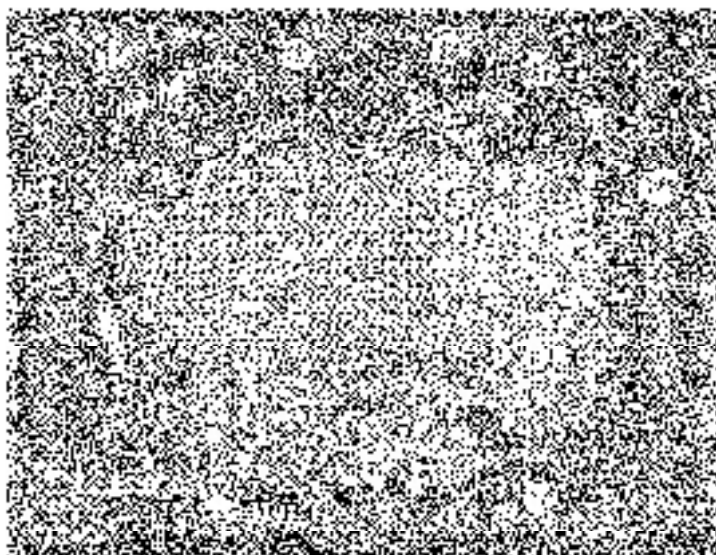


FIG. 1A



FIG. 1B

Fig. 1

Fig. 2

Fig. 1

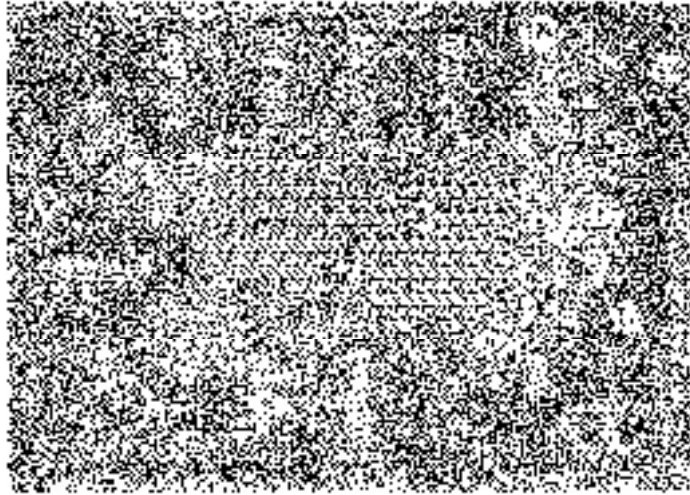


Fig. 2

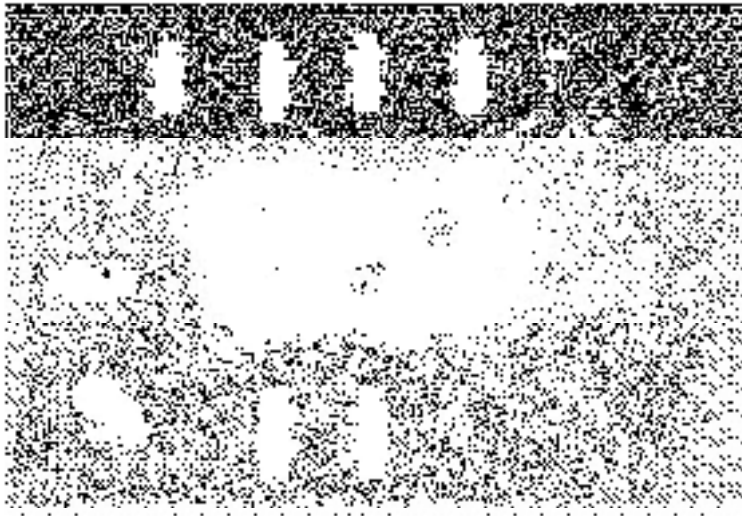


Fig. 3

FIG. 7A

FIG. 7B

FIG. 7A

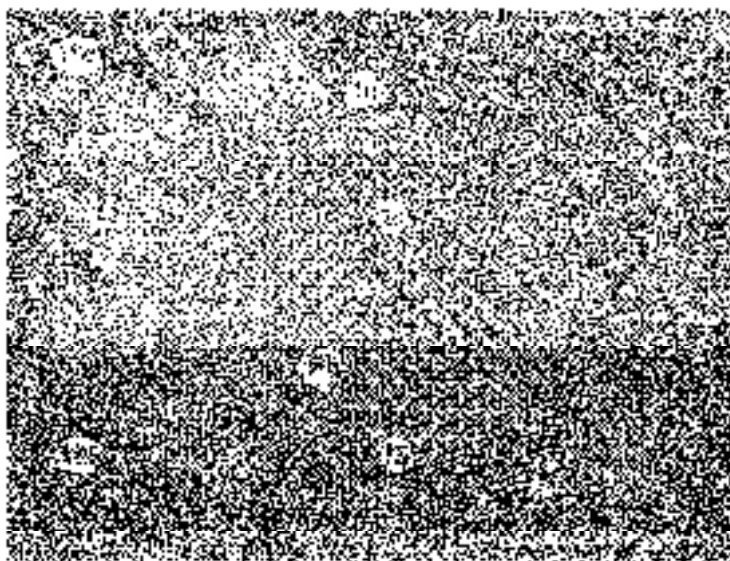


FIG. 7B

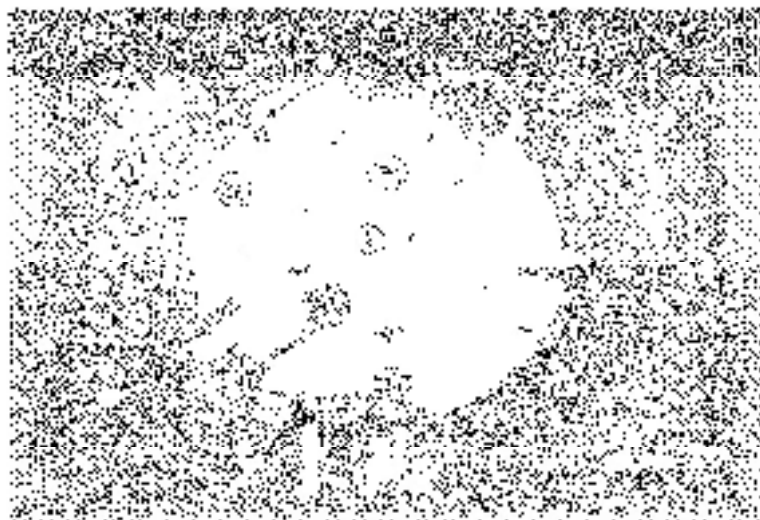
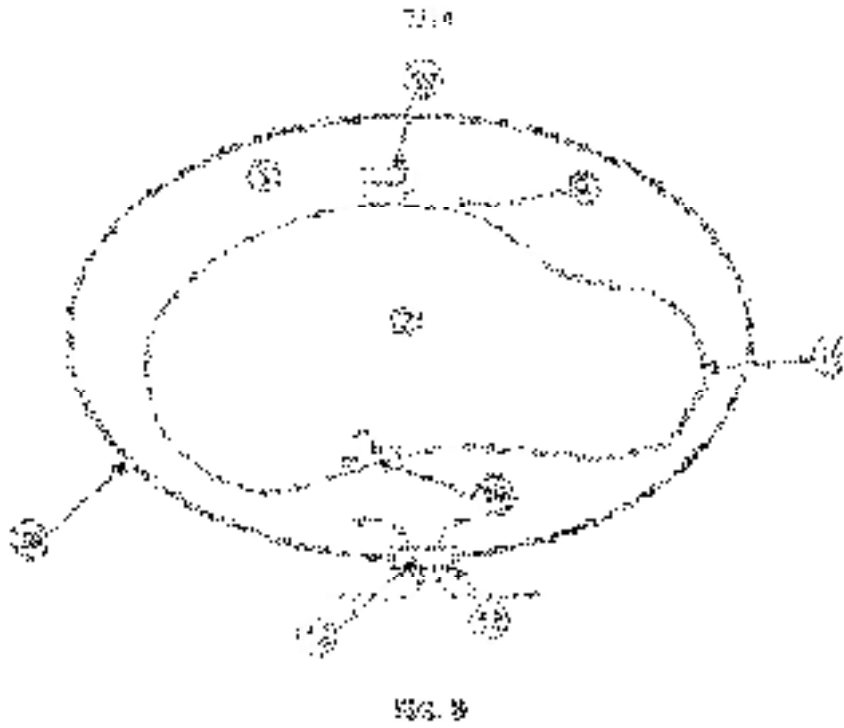


FIG. 7B

Fig. 1

Fig. 2



USP/2024/0119

INT. US/2024/10563

2024

10

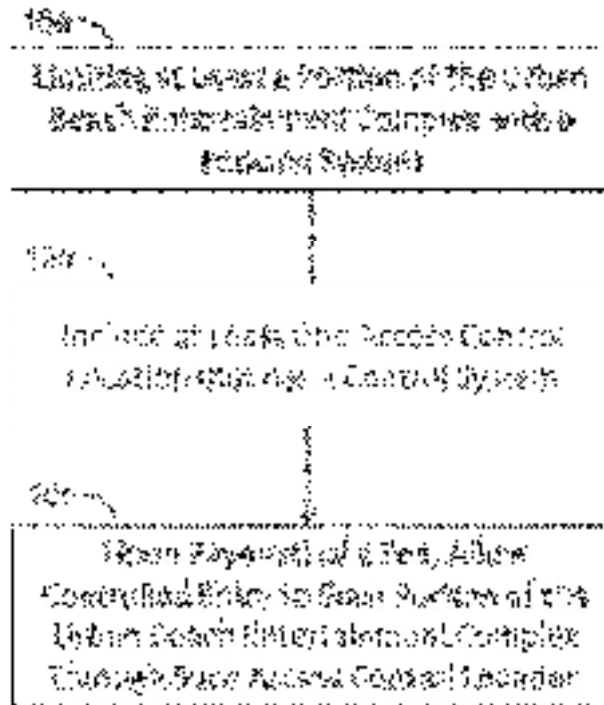


FIG. 10

AGENCIJA ZA  
REPUBLIKU SRBIJU

POSREDOVANJE U PROMETU  
PRAVNIM PRAVIMA

SR 14

100

101

102  
103  
104  
105  
106  
107  
108  
109  
110  
111  
112  
113  
114  
115  
116  
117  
118  
119  
120  
121  
122  
123  
124  
125  
126  
127  
128  
129  
130  
131  
132  
133  
134  
135  
136  
137  
138  
139  
140  
141  
142  
143  
144  
145  
146  
147  
148  
149  
150  
151  
152  
153  
154  
155  
156  
157  
158  
159  
160  
161  
162  
163  
164  
165  
166  
167  
168  
169  
170  
171  
172  
173  
174  
175  
176  
177  
178  
179  
180  
181  
182  
183  
184  
185  
186  
187  
188  
189  
190  
191  
192  
193  
194  
195  
196  
197  
198  
199  
200

SR 14



1977.052912.1.05.63

1977.052912.1.05.63

Fig. 11

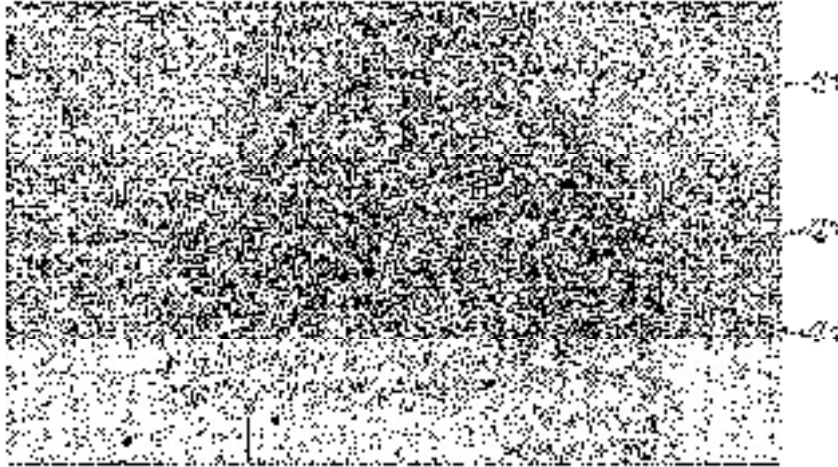


Fig. 11

Fig. 1

Fig. 2

Fig. 3

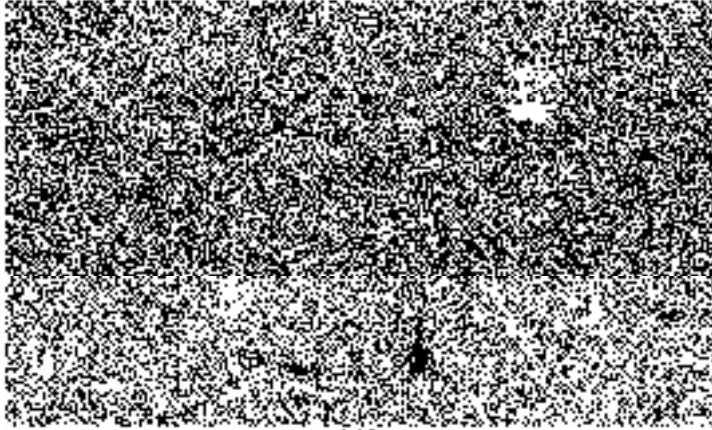


Fig. 4

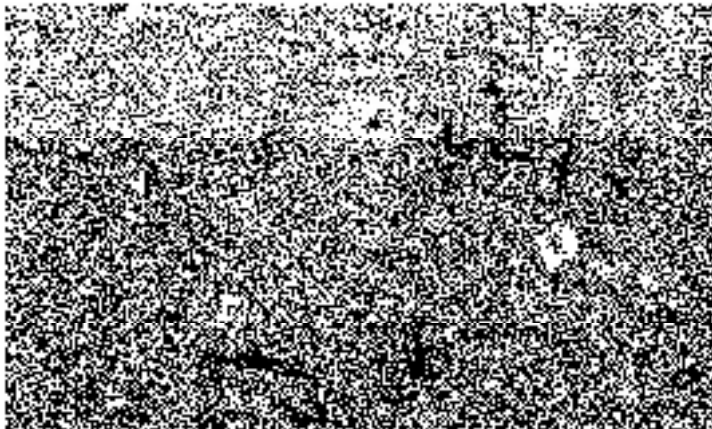


Fig. 5

Fig. 149

Fig. 150

Fig. 151

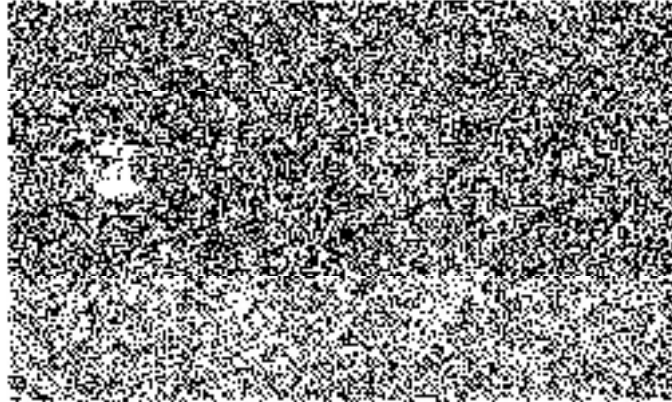


Fig. 152

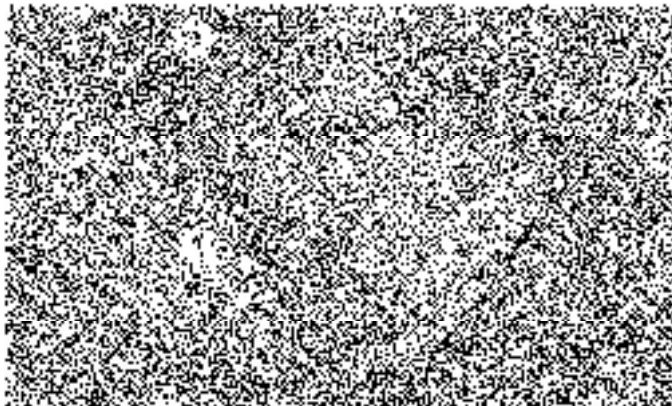


Fig. 153

Fig. 1

Fig. 2

Fig. 3

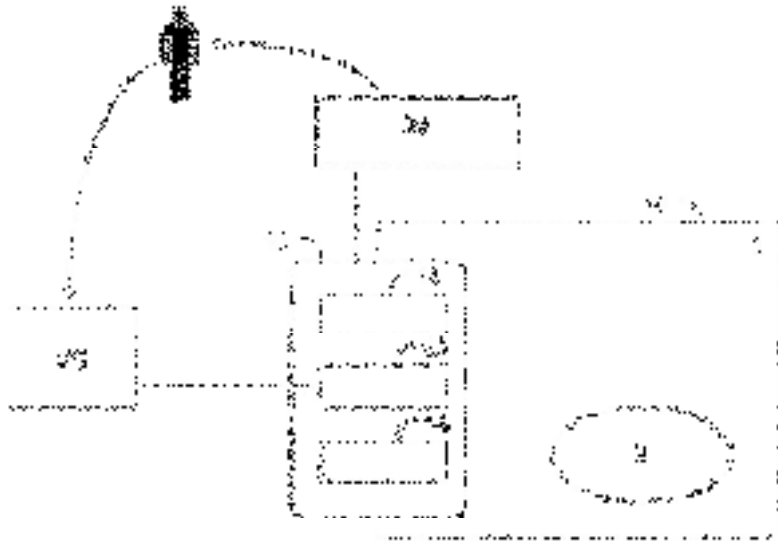


Fig. 4

- (11) No. 836
- (21) PA 836
- (22) 23/06/2022
- (30)
- (43)
- (51) Int.Cl.2018.01E 04B 9/18(2006.01), E 04B 9/16(2006.01)// (E 04B 9:18 )
- (54) CLIP, CEILING BASE, AND METHOD FOR CONSTRUCTING SAME
- (57) Provided are: a clip having good workability and with which it is possible to suppress or prevent detachment of a ceiling surface material when a building vibrates; a ceiling base using the clip; and a method for installing the ceiling base. A clip 50 for securing a joist 40 to a joist bearing 30, the clip 50 having: a top piece 53 that has the width of the joist bearing 30; a first hanging piece 51 that hangs from one end of the top piece 53 and comprises therebelow a first engagement projection 54 that engages with the joist 40; and a second hanging piece 52 that hangs from the other end of the top piece 53 and comprises therebelow a second engagement projection 57 that is locked to the joist 40, the first hanging piece 51 having a greater length than the second hanging piece 52, a recessed section 58 that projects in the direction of the second hanging piece 52 being provided in the midway position of the first hanging piece 51, only the first engagement projection 54 comprising an engagement cavity 55 that is concave downward at the projecting base of the first engagement projection 54, and a reinforcement rib 56 being provided on the outer side of at least the engagement cavity 55.
- (71) YOSHINO GYPSUM CO., LTD.  
Shin-Tokyo Bldg., 3-1, Marunouchi 3-Chome, Chiyoda-ku, Tokyo 100-0005 Japan.
- (72) SUDO, Ushio; HASEGAWA, Tomoya; YAMASHITA, Takuji and WATANABE, Yusuke.
- (74) Tilleke & Gibbins Lao Co., Ltd.
- (55)

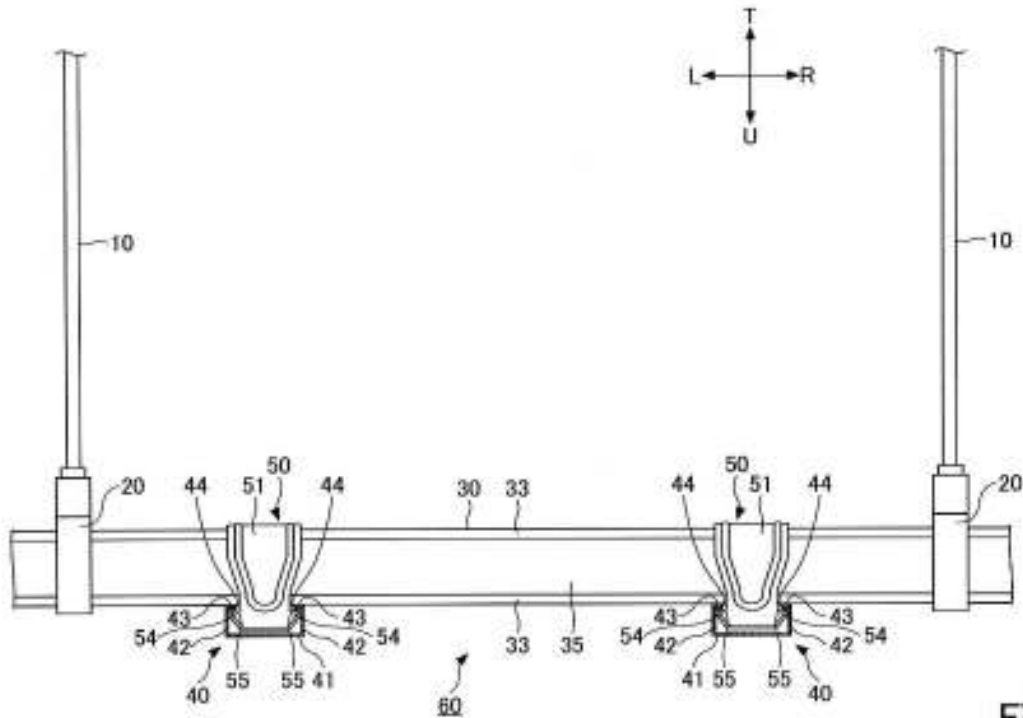


FIG.1

FIG.2

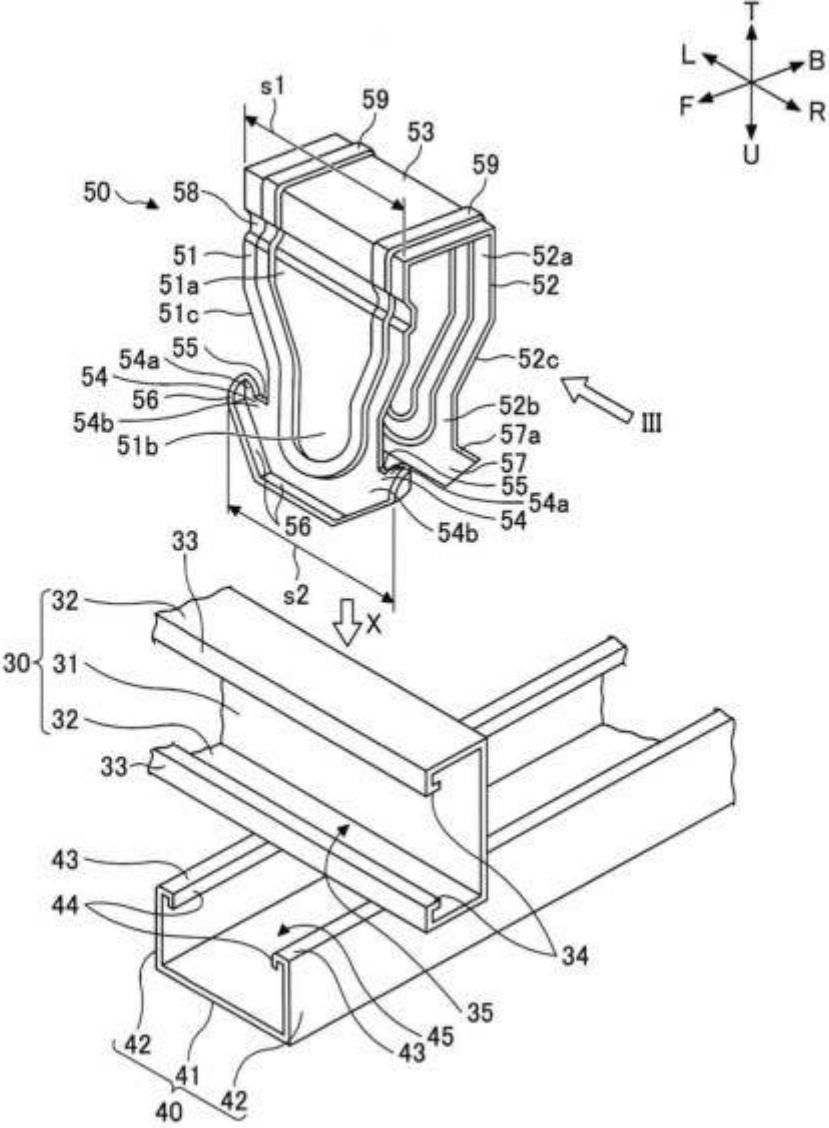


FIG.3

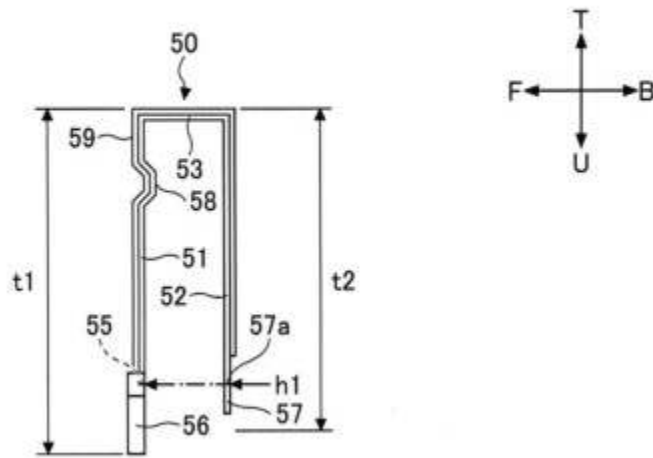


FIG.4

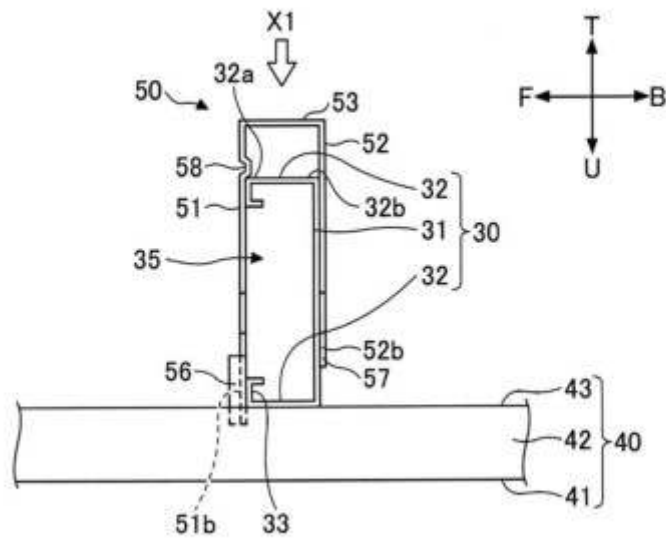


FIG.5

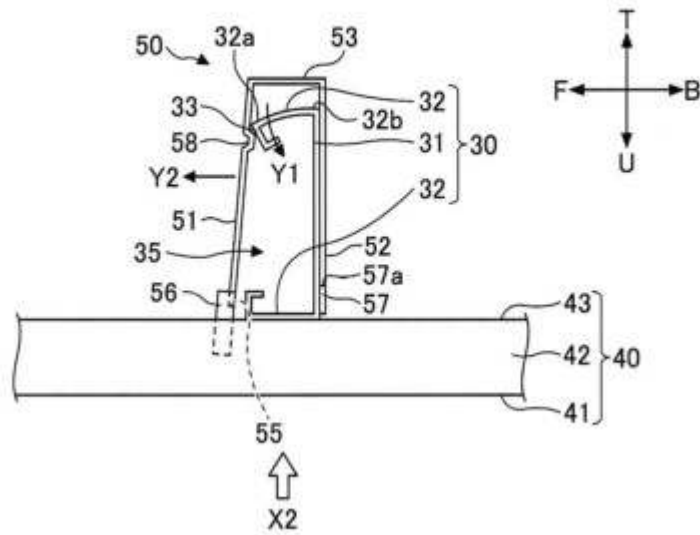


FIG.6

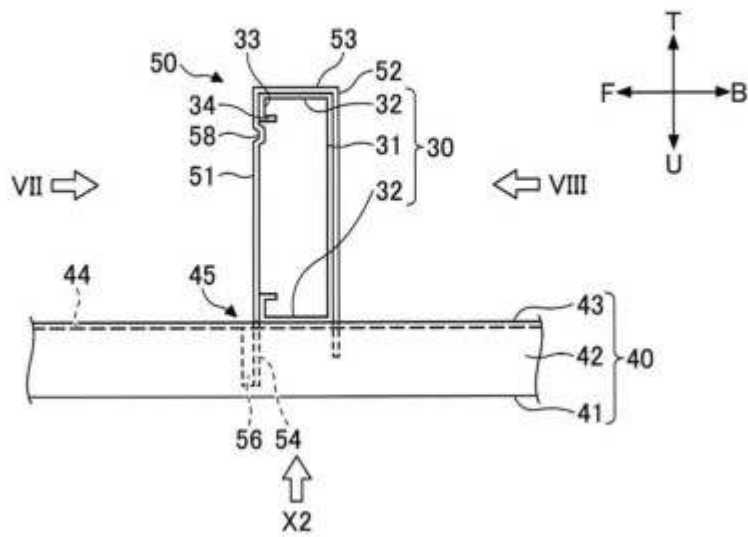




FIG.7

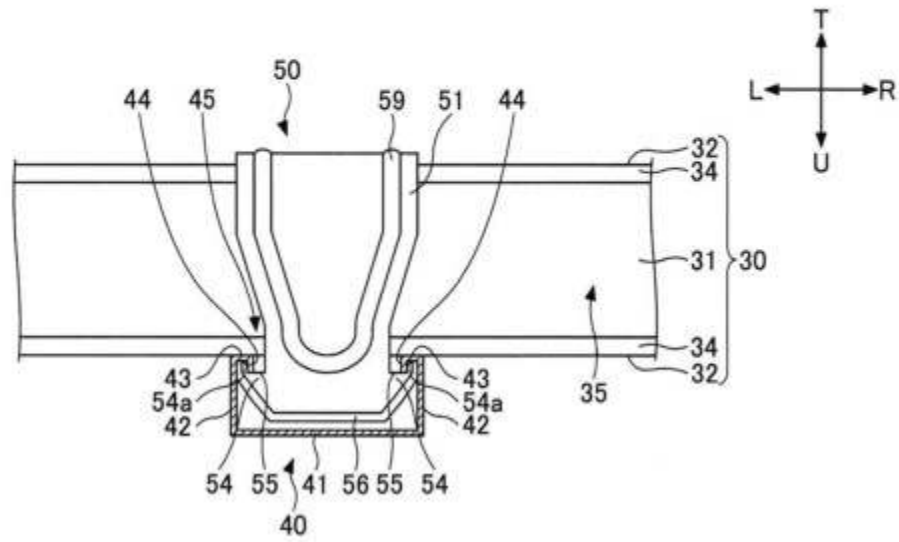
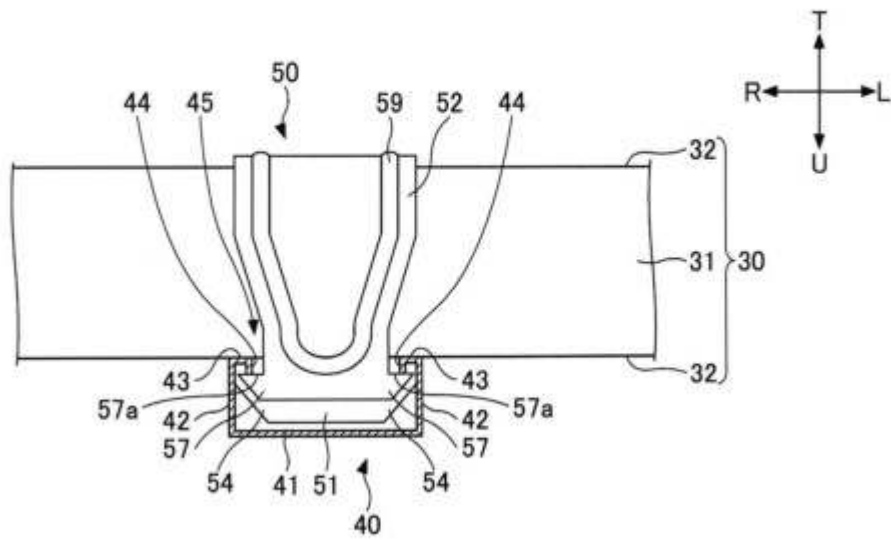


FIG.8



- (11) No. 867
- (21) PA 867
- (22) 24/11/2022
- (30)
- (43)
- (51) Int.Cl.2018.01G 10L 19/16(2013.01), G 10L 19/035(2013.01)
- (54) DECODING AUDIO BITSTREAMS WITH ENHANCED SPECTRAT BAND REPLICATION METADATA IN AT LEAST ONE FILL ETEMENT
- (57) Embodiments relate to an audio processing unit that includes a buffer, bitstream payload deformatter, and a decoding subsystem. The buffer stores at least one block of an encoded audio bitstream. The block includes a fill element that begins with an identifier followed by fill data. The fill data includes at least one flag identifying whether enhanced spectral band replication (eSBR) processing is to be performed on audio content of the block. A corresponding method for decoding an encoded audio bitstream is also provided.
- (71) Dolby International AB [NL]  
Mr. Treublaan 7 1097DP Amsterdam The Netherlands , The Netherlands.
- (72) VILLEMOTES Lars - Swedish ; PURNHAGEN Heiko - Swedish and EKSTRAND Per - Swedish.
- (74) ACTIP (LAO) IP CO., LTD..
- (55)



FIG. 1

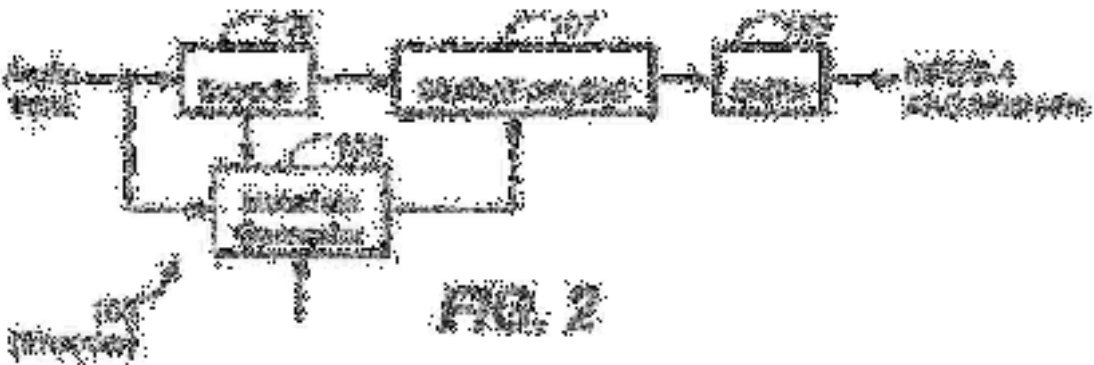


FIG. 2

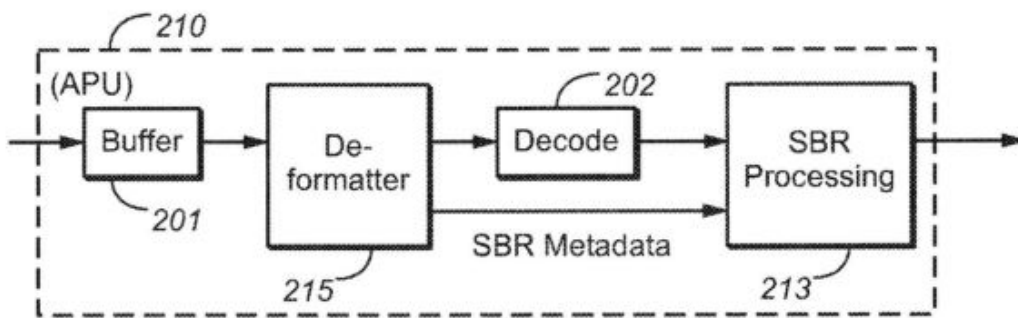
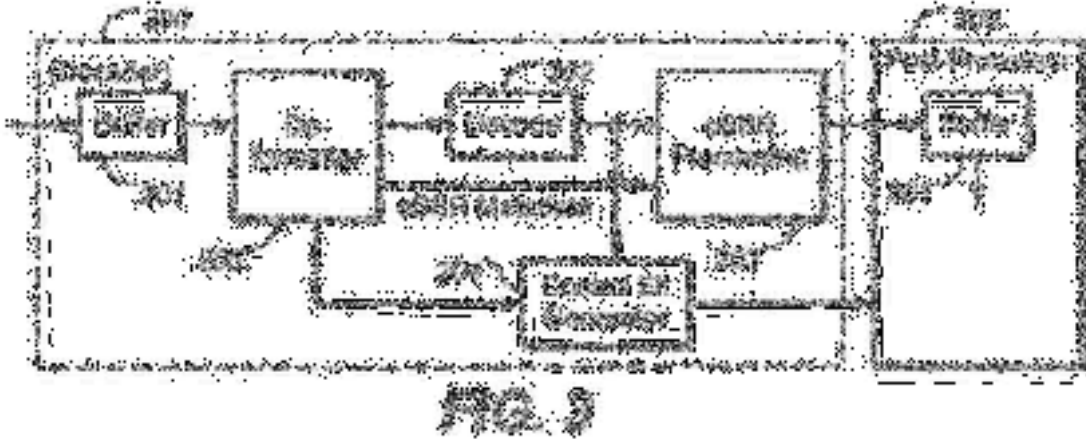


FIG. 4

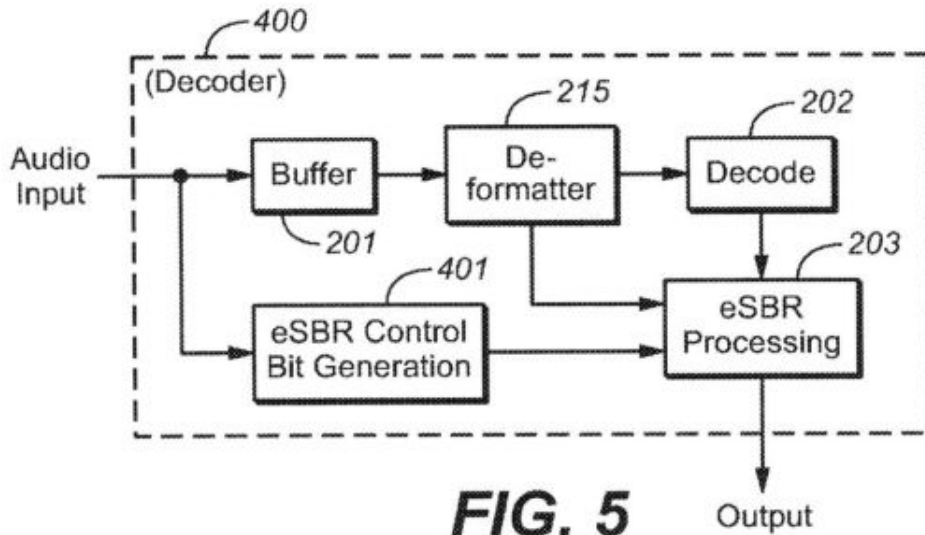
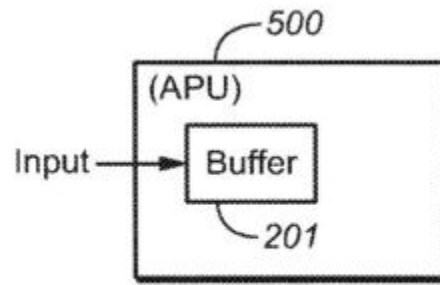


FIG. 5



**FIG. 6**



**FIG. 7**

**ພາກທີ I**

**(Part I)**

**ສິດທິບັດ ແລະ ອະນຸສິດທິບັດ**

**(Patent and Petty Patent)**

**3. ການປ່ຽນແປງ**

**(Changes)**

**ພາກທີ I**

**(Part I)**

**ສິດທິບັດ ແລະ ອະນຸສິດທິບັດ**

**(Patent and Petty Patent)**

**4. ການດັດແກ້**

**(Amendments)**

**ພາກທີ II**  
**(Part II)**  
**ແບບອຸດສາຫະກຳ**  
**(Industrial Design)**

**1. ຄຳຮ້ອງ**  
**(Applications)**

**ຄຳອະທິບາຍກ່ຽວກັບລະຫັດຫຍໍ້**  
**(Introduction of Codes)**

- (21) ເລກທີ ຄຳຮ້ອງ (Filing Number)
- (22) ວັນທີ ຄຳຮ້ອງ (Filing Date)
- (30) ວັນທີ ບຸລິມາສິດ (Priority Date)
- (51) ໝວດ (Locarno Classification)
- (54) ຊື່ຂອງແບບອຸດສາຫະກຳ (Title)
- (71) ຊື່ ແລະ ທີ່ຢູ່ ຂອງເຈົ້າຂອງ (Owner Name and Address)
- (72) ຊື່ຜູ້ອອກແບບ (Designer Name)
- (74) ຊື່ຕົວແທນ (Representative Name)
- (55) ຮູບພາບ (Pictures)

ພາກທີ II  
(Part II)  
ແບບອຸດສາຫະກຳ  
(Industrial Design)

2. ຜົນການຈົດທະບຽນ  
(Registration)

ຄຳອະທິບາຍກ່ຽວກັບລະຫັດຫຍໍ້  
(Introduction of Codes)

- (11) ເລກທີ ຈົດທະບຽນ (Registration Number)
- (15) ວັນທີ ຈົດທະບຽນ (Registration Date)
- (21) ເລກທີ ຍືນຄຳຮ້ອງ (Filing Number)
- (22) ວັນທີ ຍືນຄຳຮ້ອງ (Filing Date)
- (30) ວັນທີ ບຸລິມາສິດ (Priority Date)
- (17) ວັນທີ ໝົດອາຍຸ (Expiration Date)
- (51) ໝວດ (Locarno Classification)
- (54) ຊື່ຂອງແບບອຸດສາຫະກຳ (Title)
- (71) ຊື່ ແລະ ທີ່ຢູ່ ຂອງເຈົ້າຂອງ (Owner Name and Address)
- (72) ຊື່ຜູ້ອອກແບບ (Designer Name)
- (74) ຊື່ຕົວແທນ (Representative Name)
- (55) ຮູບພາບ (Pictures)



**ພາກທີ II**

**(Part II)**

**ແບບອຸດສາຫະກຳ**

**(Industrial Design)**

**3. ການປ່ຽນແປງ**

**(Changes)**

**ພາກທີ II**

**(Part II)**

**ແບບອຸດສາຫະກຳ**

**(Industrial Design)**

**4. ການດັດແກ້**

**(Amendments)**

**ພາກທີ III**  
**(Part III)**  
**ເຄື່ອງໝາຍການຄ້າ**  
**Trademarks**

**1. ຄໍາຮ້ອງ**  
**(Applications)**

**ຄໍາອະທິບາຍກ່ຽວກັບລະຫັດຫຍໍ້**  
**(Introduction of Codes)**

- (540) ເຄື່ອງໝາຍການຄ້າ (Trademark)
- (511) ໝວດ (Nice Classification)
- (210) ເລກທີ ຄໍາຮ້ອງ (Number of the application)
- (220) ວັນທີ ຄໍາຮ້ອງ (Date of filing of the application)
- (732) ຊື່ ແລະ ທີ່ຢູ່ ຂອງຜູ້ຍື່ນຄໍາຮ້ອງ (Name and Address of applicant)

## ພາກທີ III

### (Part III)

## ເຄື່ອງໝາຍການຄ້າ

### Trademarks

#### 2. ຜົນການຈັດທະບຽນ

##### (Registration)

##### ຄຳອະທິບາຍກ່ຽວກັບລະຫັດຫຍໍ້

##### (Introduction of Codes)

- (540) ເຄື່ອງໝາຍການຄ້າ (Trademark)
- (511) ໝວດ (Nice Classification)
- (210) ເລກທີ ຄຳຮ້ອງ (Number of the application)
- (220) ວັນທີ ຄຳຮ້ອງ (Date of filing of the application)
- (732) ຊື່ ແລະ ທີ່ຢູ່ ຂອງຜູ້ຍື່ນຄຳຮ້ອງ (Name and Address of applicant)
- (111) ເລກທີ ການຈັດທະບຽນເຄື່ອງໝາຍການຄ້າ (Number of the registration)
- (180) ວັນໝົດອາຍຸຂອງການຈັດທະບຽນ (Expiration date of the registration)

(540) Registration



(511) 33  
(210) No. 46822  
(220) 23/03/2022  
(732) ວິສາຫະກິດ ສ່ວນບຸກຄົນ ສີສອນ ຜະລິດ ແລະ  
ຈຳໜ່າຍເຫຼົ້າຂາວ  
ບ້ານນາທອງ, ເມືອງໂພນທອງ, ແຂວງວຽງຈັນ,  
ສປປ ລາວ  
(111) No. 61483  
(180) 23/03/2032

(540) Registration



(511) 09  
(210) No. 48747  
(220) 26/07/2023  
(732) ໂຮງງານປະກອບເຄື່ອງໃຊ້ໄຟຟ້າ CHLAO ສ່ວນບຸກຄົນ  
ບ້ານ ພອນໄຊ, ເມືອງ ນະຄອນຫຼວງພະບາງ,  
ແຂວງ ຫຼວງພະບາງ, ສປປ ລາວ  
(111) No. 61582  
(180) 26/07/2033

**ພາກທີ III**  
**(Part III)**  
**ເຄື່ອງໝາຍການຄ້າ**  
**Trademarks**

**3. ການຕໍ່ອາຍຸ**  
**(Renewal)**

**ຄຳອະທິບາຍກ່ຽວກັບລະຫັດຫຍໍ້**  
**(Introduction of Codes)**

- (540) ເຄື່ອງໝາຍການຄ້າ (Trademark)
- (511) ໝວດ (Nice Classification)
- (210) ເລກທີ ຄຳຮ້ອງ (Number of the application)
- (220) ວັນທີ ຄຳຮ້ອງ (Date of filing of the application)
- (732) ຊື່ ແລະ ທີ່ຢູ່ ຂອງຜູ້ຍື່ນຄຳຮ້ອງ (Name and Address of applicant)
- (111) ເລກທີການຈັດທະບຽນເຄື່ອງໝາຍການຄ້າ (Number of the registration)
- (180) ການຕໍ່ອາຍຸການຈັດທະບຽນ (Expiration date of the renewal)

(540) Trademark Renewal



**ATM**  
CLASSIC

(511) 02

(210) No. 2955

(220) 18/04/1994

(732) Urai Phanich Co., Ltd

54/1 Soi Sathorn 11, Yak 3, South Sathorn  
Road , Yannawa, Sathorn, Bangkok 10120,  
Thailand

(111) No. 2829

(180) 18/04/2034

(540) Trademark Renewal



**CLARKS ( SCRIPT )**

(511) 25

(210) No. 3041

(220) 02/06/1994

(732) C. & J. CLARK INTERNATIONAL

LIMITED

40 High Street, Street Somerset BA16 0YA,  
United Kingdom

(111) No. 2957

(180) 02/06/2034

(540) Trademark Renewal

**LEO BURNETT**

(511) 35

(210) No. 3048

(220) 02/06/1994

(732) MMS USA HOLDINGS, INC

c/o The Corporation Trust Company, 1209

Orange Street, Wilmington DE 19801,

United States of America

(111) No. 2962

(180) 02/06/2034

(540) Trademark Renewal



(511) 35

(210) No. 3049

(220) 02/06/1994

(732) MMS USA HOLDINGS, INC

c/o The Corporation Trust Company, 1209

Orange Street, Wilmington DE 19801,

United States of America

(111) No. 2963

(180) 02/06/2034



(540) Trademark Renewal

**uni**

(511) 16

(210) No. 2998

(220) 10/05/1994

(732) MITSUBISHI PENCIL COMPANY,  
LIMITED

5-23-37, Higashi-Ohi, Shinagawa-ku, Tokyo,  
Japan

(111) No. 3021

(180) 10/05/2034

(540) Trademark Renewal

**uni-ball**

(511) 16

(210) No. 2999

(220) 10/05/1994

(732) MITSUBISHI PENCIL COMPANY,  
LIMITED

5-23-37, Higashi-Ohi, Shinagawa-ku, Tokyo,  
Japan

(111) No. 3022

(180) 10/05/2034

(540) Trademark Renewal

**FUJI ELECTRIC**

(511) 07 and 09

(210) No. 3008

(220) 10/05/1994

(732) FUJI ELECTRIC CO., LTD

1-1, Tanabeshinden, Kawasaki-ku,  
Kawasaki-shi, Kanagawa-ken,, Japan

(111) No. 3031

(180) 10/05/2034

(540) Trademark Renewal

**LARUE**

(511) 32

(210) No. 3147

(220) 19/07/1994

(732) HEINEKEN ASIA PACIFIC PTE. LTD

459 Jalan Ahmad Ibrahim, Singapore 639934

(111) No. 3071

(180) 19/07/2034

(540) Trademark Renewal



(511) 41 and 42

(210) No. 3208

(220) 21/08/1994

(732) HEINEKEN ASIA PACIFIC PTE. LTD

459 Jalan Ahmad Ibrahim, Singapore 639934

(111) No. 3187

(180) 21/08/2034

(540) Trademark Renewal

**NUROFEN**

(511) 05

(210) No. 11211

(220) 08/04/2004

(732) Reckitt & Colman (Overseas) Hygiene Home

Limited

103-105 Bath Road, Slough, Berkshire,

SL1 3UH, United Kingdom

(111) No. 10701

(180) 07/04/2034

(540) Trademark Renewal

**STREPSILS**

(511) 30

(210) No. 11235

(220) 30/04/2004

(732) Reckitt & Colman (Overseas) Health Limited

103-105 Bath Road, Slough, Berkshire,

SL1 3UH, United Kingdom

(111) No. 10724

(180) 29/04/2034

(540) Trademark Renewal

**LIUSONG 柳工**

(511) 07

(210) No. 11388

(220) 21/06/2004

(732) Guangxi Liugong Group Co., Ltd.

No. 1 Liutai Road, Liuzhou, Guangxi, China

(111) No. 10879

(180) 21/06/2034

(540) Trademark Renewal

**MEKHONG BEER**

(511) 32

(210) No. 11443

(220) 15/07/2004

(732) Sura Bangyikhan Co., Ltd.

82 Moo 3, Tambol Bangkuwat, Amphur  
Muangpathumthani, Pathumthani Province,  
Thailand

(111) No. 10933

(180) 15/07/2034

(540) Trademark Renewal

**แม่โขง เบียร์**

(511) 32

(210) No. 11444

(220) 15/07/2004

(732) Sura Bangyikhan Co., Ltd.

82 Moo 3, Tambol Bangkuwat, Amphur  
Muang Pathumthani, Pathumthani Province  
12000, Thailand

(111) No. 10934

(180) 15/07/2034

(540) Trademark Renewal

**MARBOCYL**

(511) 05

(210) No. 11936

(220) 06/10/2004

(732) VETOQUINOL S.A.

Magny- Vernois, 70200 Lure, France

(111) No. 11478

(180) 06/10/2034

(540) Trademark Renewal



(511) 39

(210) No. 11236

(220) 30/04/2004

(732) DHL INTERNATIONAL GMBH.

Charles-de-Gaulle-Strasse 20, 53113 Bonn,

Germany

(111) No. 12705

(180) 30/04/2034

(540) Trademark Renewal

**AMIYU**

(511) 05

(210) No. 27007

(220) 23/07/2012

(732) EA PHARMA CO., LTD

2-1-1, Irifune, Chuo-ku, Tokyo 104-0042,  
Japan

(111) No. 28159

(180) 09/04/2034

(540) Trademark Renewal

**STM**

(511) 09

(210) No. 27151

(220) 22/08/2012

(732) STM MANAGEMNT PTY LTD

UNIT 21, 34 RALPH STREET,  
ALEXANDRIA, NEW SOUTH WALES 2015,  
AUSTRALIA

(111) No. 28175

(180) 10/04/2034

(540) Trademark Renewal

**STM**

(511) 18

(210) No. 27152

(220) 22/08/2012

(732) STM MANAGEMNT PTY LTD

UNIT 21, 34 RALPH STREET,

ALEXANDRIA, NEW SOUTH WALES 2015,

AUSTRALIA

(111) No. 28176

(180) 10/04/2034

(540) Trademark Renewal



(511) 09

(210) No. 27162

(220) 23/08/2012

(732) VIACCESS (SOCIÉTÉ ANONYME)

Tour Egée, 9-11 Allée de l'Arche, 92400

Courbevoie, France

(111) No. 28178

(180) 10/04/2034



(540) Trademark Renewal



(511) 38

(210) No. 27163

(220) 23/08/2012

(732) VIACCESS (SOCIÉTÉ ANONYME)

Tour Egée, 9-11 Allée de l'Arche, 92400

Courbevoie, France

(111) No. 28179

(180) 10/04/2034

(540) Trademark Renewal



(511) 42

(210) No. 27164

(220) 23/08/2012

(732) VIACCESS (SOCIÉTÉ ANONYME)

Tour Egée, 9-11 Allée de l'Arche, 92400

Courbevoie, France

(111) No. 28180

(180) 10/04/2034

(540) Trademark Renewal



(511) 36

(210) No. 27176

(220) 24/08/2012

(732) TRANSPO INTERNATIONAL LIMITED

3388/74-77 Sirinrat Building, 21st Floor,

Rama IV Road, Klongton, Klongtoey

Bangkok 10110, Thailand

(111) No. 28186

(180) 10/04/2034

(540) Trademark Renewal



(511) 37

(210) No. 27177

(220) 24/08/2012

(732) TRANSPO INTERNATIONAL LIMITED

3388/74-77 Sirinrat Building, 21st Floor,

Rama IV Road, Klongton, Klongtoey

Bangkok 10110, Thailand

(111) No. 28187

(180) 10/04/2034

(540) Trademark Renewal



(511) 41

(210) No. 27179

(220) 24/08/2012

(732) TRANSPO INTERNATIONAL LIMITED

3388/74-77 Sirinrat Building, 21st Floor,

Rama IV Road, Klongton, Klongtoey

Bangkok 10110, Thailand

(111) No. 28189

(180) 10/04/2034

(540) Trademark Renewal



(511) 45

(210) No. 27180

(220) 24/08/2012

(732) TRANSPO INTERNATIONAL LIMITED

3388/74-77 Sirinrat Building, 21st Floor,

Rama IV Road, Klongton, Klongtoey

Bangkok 10110, Thailand

(111) No. 28190

(180) 10/04/2034

(540) Trademark Renewal

**BROKEN SHED**

(511) 33

(210) No. 27188

(220) 24/08/2012

(732) BROKEN SHED LIMITED

333 Beacon Point Road, Wanaka 9305,

New Zealand

(111) No. 28197

(180) 10/04/2034

(540) Trademark Renewal



(511) 12

(210) No. 24416

(220) 01/08/2011

(732) HYUNDAI HEAVY INDUSTRIES CO.,

LTD.

1, Jeonha-Dong, Dong-ku, Ulsan, 682-792,

Republic of Korea

(111) No. 28228

(180) 06/05/2034

(540) Trademark Renewal

**KONAMI**

(511) 16

(210) No. 28130

(220) 18/12/2012

(732) KONAMI COPORATION

9-7-2, Akasaka, Minato-ku, Tokyo, Japan

(111) No. 28231

(180) 20/05/2034

(540) Trademark Renewal

**KONAMI**

(511) 41

(210) No. 28132

(220) 18/12/2012

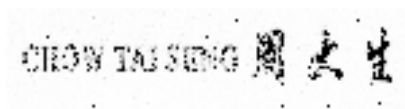
(732) KONAMI CORPORATION

9-7-2, Akasaka, Minato-ku, Tokyo, Japan

(111) No. 28232

(180) 20/05/2034

(540) Trademark Renewal



(511) 14

(210) No. 28381

(220) 15/01/2013

(732) CHOW TAI SENG JEWELRY LIMITED

No.301, 3rd Floor of Orient International,  
Bijou Plaza, Tianbei Garden Annex Building,  
North Wenjin Road, Luohu, Shenzhen City,  
Guangdong Province, China

(111) No. 28288

(180) 30/06/2034

(540) Trademark Renewal

**HOLLYWOOD  
CASINO**

(511) 09

(210) No. 28606

(220) 19/02/2013

(732) Hollywood Casinos, LLC

825 Berkshire Boulevard, Suite 200,  
Wyomissing, PA 19610, USA

(111) No. 28448

(180) 13/08/2034

(540) Trademark Renewal

**HOLLYWOOD  
CASINO**

(511) 41

(210) No. 28607

(220) 19/02/2013

(732) Hollywood Casinos, LLC

825 Berkshire Boulevard, Suite 200,

Wyomissing, PA 19610, USA

(111) No. 28449

(180) 13/08/2034

(540) Trademark Renewal

**HOLLYWOOD  
CASINO**

(511) 43

(210) No. 28608

(220) 19/02/2013

(732) Hollywood Casinos, LLC

825 Berkshire Boulevard, Suite 200,

Wyomissing, PA 19610, USA

(111) No. 28450

(180) 13/08/2034

(540) Trademark Renewal

**WESTIN**

(511) 36

(210) No. 28776

(220) 12/03/2013

(732) WESTIN HOTEL MANAGEMENT, L.P.

7750 Wisconsin Avenue, Bethesda, Maryland

20814, United States of America

(111) No. 28609

(180) 29/08/2034

(540) Trademark Renewal

**WESTIN**

(511) 39

(210) No. 28777

(220) 12/03/2013

(732) WESTIN HOTEL MANAGEMENT, L.P.

7750 Wisconsin Avenue, Bethesda,

Maryland 20814, United States of America

(111) No. 28610

(180) 29/08/2064



(540) Trademark Renewal

**WESTIN**

(511) 41

(210) No. 28778

(220) 12/03/2013

(732) WESTIN HOTEL MANAGEMENT, L.P.

7750 Wisconsin Avenue, Bethesda,

Maryland 20814, United States of America

(111) No. 28611

(180) 29/08/2064

(540) Trademark Renewal

**WESTIN**

(511) 43

(210) No. 28779

(220) 12/03/2013

(732) WESTIN HOTEL MANAGEMENT, L.P.

7750 Wisconsin Avenue, Bethesda,

Maryland 20814, United States of America

(111) No. 28612

(180) 29/08/2044

(540) Trademark Renewal



(511) 05

(210) No. 28794

(220) 13/03/2013

(732) FUMAKILLA LIMITED

No.11, Kanda-Mikuracho, Chiyoda-ku,  
Tokyo, Japan

(111) No. 28627

(180) 29/08/2034

(540) Trademark Renewal



(511) 09

(210) No. 28795

(220) 13/03/2013

(732) FUMAKILLA LIMITED

No.11, Kanda-Mikuracho, Chiyoda-ku,  
Tokyo, Japan

(111) No. 28628

(180) 29/08/2034

(540) Trademark Renewal



(511) 07

(210) No. 28803

(220) 14/03/2013

(732) DE' LONGHI APPLIANCES S.R.L

Via L. Seitz 47 - 31100 Treviso (TV), Italy

(111) No. 28636

(180) 29/08/2034

(540) Trademark Renewal



(511) 08

(210) No. 28804

(220) 14/03/2013

(732) DE' LONGHI APPLIANCES S.R.L

Via L. Seitz 47 - 31100 Treviso (TV), Italy

(111) No. 28637

(180) 29/08/2034

(540) Trademark Renewal

**SANTAS HOME**

(511) 24

(210) No. 28919

(220) 01/04/2013

(732) JASPAL & SONE CO., LTD

49 Moo 9, Soi Ruamjai, Bangna-Trad Rd.  
(KM. 19) Bangplee, Samutprakarn 10540,  
Thailand

(111) No. 28744

(180) 04/09/2034

(540) Trademark Renewal

**SANTAS HOME**

(511) 20

(210) No. 28920

(220) 01/04/2013

(732) JASPAL & SONS CO., LTD

49 Moo 9, Soi Ruamjai, Bangna-Trad Rd.  
(KM. 19) Bangplee, Samutprakarn 10540,  
Thailand

(111) No. 28745

(180) 04/09/2034

(540) Trademark Renewal

**STEVENS**

(511) 20

(210) No. 28921

(220) 01/04/2013

(732) JASPAL & SONS CO., LTD

49 Moo 9, Soi Ruamjai, Bangna-Trad Rd.  
(KM. 19) Bangplee, Samutprakarn 10540,  
Thailand

(111) No. 28746

(180) 04/09/2034

(540) Trademark Renewal

**STEVENS**

(511) 24

(210) No. 28922

(220) 01/04/2013

(732) JASPAL & SONS CO., LTD

49 Moo 9, Soi Ruamjai, Bangna-Trad Rd.  
(KM. 19) Bangplee, Samutprakarn 10540,  
Thailand

(111) No. 28747

(180) 04/09/2034

(540) Trademark Renewal

**LE MERIDIEN  
(STYLIZED  
HORIZONTAL)**

(511) 36

(210) No. 28965

(220) 03/04/2013

(732) Société des Hotels Méridien

3 rue de Téhéran, 75008 Paris, France

(111) No. 28790

(180) 04/09/2034

(540) Trademark Renewal

**LE MERIDIEN  
(STYLIZED  
HORIZONTAL)**

(511) 43

(210) No. 28966

(220) 03/04/2013

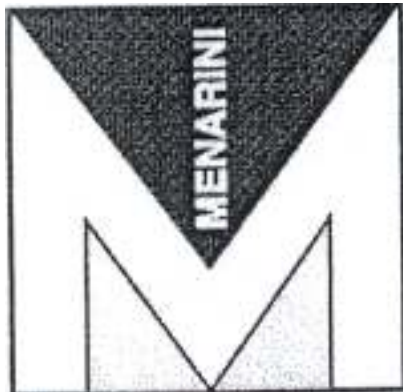
(732) Société des Hotels Méridien

3 rue de Téhéran, 75008 Paris, France

(111) No. 28791

(180) 04/09/2034

(540) Trademark Renewal



(511) 05

(210) No. 29197

(220) 07/05/2013

(732) A. MENARINI INDUSTRIE

FARMACEUTICHE RIUNITE S.R.L

Via dei Sette Santi, 3 Firenze, Italy

(111) No. 29005

(180) 08/10/2034

(540) Trademark Renewal

**MENARINI**

(511) 05

(210) No. 29236

(220) 15/05/2013

(732) A. MENARINI INDUSTRIE

FARMACEUTICHE RIUNITE S.R.L

VIA DEI SETTE SANTI, 3 FIRENZE,

ITALY

(111) No. 29043

(180) 08/10/2034

(540) Trademark Renewal



(511) 01

(210) No. 29263

(220) 21/05/2013

(732) AEON KABUSHIKI KAISHA (also trading  
as AEON CO., LTD)

1-5-1 Nakase, Mihama-ku, Chiba-city, Chiba  
261-8515, Japan

(111) No. 29069

(180) 08/10/2034

(540) Trademark Renewal



(511) 03

(210) No. 29264

(220) 21/05/2013

(732) AEON KABUSHIKI KAISHA (also trading  
as AEON CO., LTD)

1-5-1 Nakase, Mihama-ku, Chiba-city, Chiba  
261-8515, Japan

(111) No. 29070

(180) 08/10/2034



(540) Trademark Renewal



(511) 04

(210) No. 29265

(220) 21/05/2013

(732) AEON KABUSHIKI KAISHA (also trading  
as AEON CO., LTD)

1-5-1 Nakase, Mihama-ku, Chiba-city, Chiba  
261-8515, Japan

(111) No. 29071

(180) 08/10/2034

(540) Trademark Renewal



(511) 06

(210) No. 29267

(220) 21/05/2013

(732) AEON KABUSHIKI KAISHA (also trading  
as AEON CO., LTD)

1-5-1 Nakase, Mihama-ku, Chiba-city,  
Chiba 261-8515, Japan

(111) No. 29073

(180) 08/10/2034

(540) Trademark Renewal



(511) 08

(210) No. 29268

(220) 21/05/2013

(732) AEON KABUSHIKI KAISHA (also trading  
as AEON CO., LTD)

1-5-1 Nakase, Mihama-ku, Chiba-city, Chiba  
261-8515, Japan

(111) No. 29074

(180) 08/10/2034

(540) Trademark Renewal



(511) 09

(210) No. 29269

(220) 21/05/2013

(732) AEON KABUSHIKI KAISHA (also trading  
as AEON Co., LTD.)

1-5-1 Nakase, Mihama-ku, Chiba-city,  
Chiba 261-8515, Japan

(111) No. 29075

(180) 08/10/2034

(540) Trademark Renewal



(511) 11

(210) No. 29271

(220) 21/05/2013

(732) AEON KABUSHIKI KAISHA (also trading  
as AEON Co., LTD)

1-5-1 Nakase, Mihama-ku, Chiba-city,  
Chiba 261-8515, Japan

(111) No. 29077

(180) 08/10/2034

(540) Trademark Renewal



(511) 12

(210) No. 29272

(220) 21/05/2013

(732) AEON KABUSHIKI KAISHA (also trading  
as AEON CO., LTD)

1-5-1 Nakase, Mihama-ku, Chiba-city, Chiba  
261-8515, Japan

(111) No. 29078

(180) 08/10/2034

(540) Trademark Renewal



(511) 14

(210) No. 29273

(220) 21/05/2013

(732) AEON KABUSHIKI KAISHA (also trading  
as AEON CO., LTD)

1-5-1 Nakase, Mihama-ku, Chiba-city,  
Chiba 261-8515, Japan

(111) No. 29079

(180) 08/10/2034

(540) Trademark Renewal



(511) 16

(210) No. 29274

(220) 21/05/2013

(732) AEON KABUSHIKI KAISHA (also trading  
as AEON CO., LTD)

1-5-1 Nakase, Mihama-ku, Chiba-city,  
Chiba 261-8515, Japan

(111) No. 29080

(180) 08/10/2034

(540) Trademark Renewal



(511) 20

(210) No. 29276

(220) 21/05/2013

(732) AEON KABUSHIKI KAISHA (also trading  
as AEON CO., LTD.)

1-5-1 Nakase, Mihama-ku, Chiba-city,  
Chiba 261-8515, Japan

(111) No. 29082

(180) 08/10/2034

(540) Trademark Renewal



(511) 21

(210) No. 29277

(220) 21/05/2013

(732) AEON KABUSHIKI KAISHA (also trading  
as AEON CO., LTD.)

1-5-1 Nakase, Mihama-ku, Chiba-city,  
Chiba 261-8515, Japan

(111) No. 29083

(180) 08/10/2034

(540) Trademark Renewal



(511) 22

(210) No. 29278

(220) 21/05/2013

(732) AEON KABUSHIKI KAISHA (also trading  
as AEON CO., LTD.)

1-5-1 Nakase, Mihama-ku, Chiba-city,  
Chiba 261-8515, Japan

(111) No. 29084

(180) 08/10/2034

(540) Trademark Renewal



(511) 23

(210) No. 29279

(220) 21/05/2013

(732) AEON KABUSHIKI KAISHA (also trading  
as AEON CO., LTD.)

1-5-1 Nakase, Mihama-ku, Chiba-city,  
Chiba 261-8515, Japan

(111) No. 29085

(180) 08/10/2034

(540) Trademark Renewal



(511) 24

(210) No. 29280

(220) 21/05/2013

(732) AEON KABUSHIKI KAISHA (also trading  
as AEON CO., LTD.)

1-5-1 Nakase, Mihama-ku, Chiba-city,  
Chiba 261-8515, Japan

(111) No. 29086

(180) 08/10/2034

(540) Trademark Renewal



(511) 25

(210) No. 29281

(220) 21/05/2013

(732) AEON KABUSHIKI KAISHA (also trading  
as AEON CO., LTD.)

1-5-1 Nakase, Mihama-ku, Chiba-city,  
Chiba 261-8515, Japan

(111) No. 29087

(180) 08/10/2034

(540) Trademark Renewal



(511) 26

(210) No. 29282

(220) 21/05/2013

(732) AEON KABUSHIKI KAISHA (also trading  
as AEON CO., LTD.)

1-5-1 Nakase, Mihama-ku, Chiba-city,  
Chiba 261-8515, Japan

(111) No. 29088

(180) 08/10/2034

(540) Trademark Renewal



(511) 27

(210) No. 29283

(220) 21/05/2013

(732) AEON KABUSHIKI KAISHA (also trading  
as AEON CO., LTD.)

1-5-1 Nakase, Mihama-ku, Chiba-city,  
Chiba 261-8515, Japan

(111) No. 29089

(180) 08/10/2034



(540) Trademark Renewal



(511) 28

(210) No. 29284

(220) 21/05/2013

(732) AEON KABUSHIKI KAISHA (also trading  
as AEON CO., LTD.)

1-5-1 Nakase, Mihama-ku, Chiba-city,  
Chiba 261-8515, Japan

(111) No. 29090

(180) 08/10/2034

(540) Trademark Renewal

**MONS ROYALE**

(511) 25

(210) No. 29310

(220) 27/05/2013

(732) Mons Royale Limited

Level 1, 1 Cliff Wilson Street Wanaka 9305  
Otago, New Zealand

(111) No. 29114

(180) 08/10/2034

(540) Trademark Renewal



(511) 32

(210) No. 29311

(220) 27/05/2013

(732) Tsingtao Brewery Company Limited

No. 56, Dengzhou Road, Qingdao,

Shandong Province 266012, China

(111) No. 29115

(180) 08/10/2034

(540) Trademark Renewal



(511) 09

(210) No. 29333

(220) 30/05/2013

(732) Ecosparks Co Pte. Ltd.

320 Serangoon Road, #12-03 Centrium

Square, 218108, Singapore

(111) No. 29137

(180) 08/10/2034

(540) Trademark Renewal



(511) 05

(210) No. 29370

(220) 05/06/2013

(732) A. MENARINI INDUSTRIES

FARMCEUTICHE RIUNITE S.R.L

Via dei Sette Santi, 3 Firenze, Italy

(111) No. 29184

(180) 12/11/2034

(540) Trademark Renewal

**LAY'S STAX**

(511) 29

(210) No. 29649

(220) 15/07/2013

(732) PEPSICO, INC

700 Anderson Hill Road, Purchase,

New York 10577, United States of America

(111) No. 29416

(180) 01/12/2034

(540) Trademark Renewal

**LAY'S**

(511) 29

(210) No. 29650

(220) 15/07/2013

(732) PEPSICO, INC

700 Anderson Hill Road, Purchase,

New York 10577, United States of America

(111) No. 29417

(180) 01/12/2034

(540) Trademark Renewal

**LAY'S**

(511) 30

(210) No. 29651

(220) 15/07/2013

(732) PEPSICO, INC

700 Anderson Hill Road, Purchase,

New York 10577, United States of America

(111) No. 29418

(180) 01/12/2034

(540) Trademark Renewal



(511) 29

(210) No. 29652

(220) 15/07/2013

(732) PEPSICO, INC

700 Anderson Hill Road, Purchase,

New York 10577, United States of America

(111) No. 29419

(180) 01/12/2034

(540) Trademark Renewal



(511) 30

(210) No. 29653

(220) 15/07/2013

(732) PEPSICO, INC

700 Anderson Hill Road, Purchase,

New York 10577, United States of America

(111) No. 29420

(180) 01/12/2034

(540) Trademark Renewal



(511) 29

(210) No. 29654

(220) 15/07/2013

(732) PEPSICO, INC

700 Anderson Hill Road, Purchase,

New York 10577, United States of America

(111) No. 29421

(180) 01/12/2034

(540) Trademark Renewal



(511) 30

(210) No. 29655

(220) 15/07/2013

(732) PEPSICO, INC

700 Anderson Hill Road, Purchase,

New York 10577, United States of America

(111) No. 29422

(180) 01/12/2034

(540) Trademark Renewal

**GRAINWAVES**

(511) 30

(210) No. 29784

(220) 29/07/2013

(732) FRITO-LAY TRADING COMPANY GMBH

Spitalgasse 2, CH 3011 Bern, Swaziland

(111) No. 29545

(180) 01/12/2034

(540) Trademark Renewal

**AEON**

(511) 01

(210) No. 30377

(220) 25/09/2013

(732) AEON KABUSHIKI KAISHA (also trading

as AEON Co., Ltd )

1-5-1 Nakase, Mihama-ku, Chiba-city,

Chiba 261-8515, Japan

(111) No. 30129

(180) 05/12/2034

(540) Trademark Renewal



(511) 02

(210) No. 30378

(220) 25/09/2013

(732) AEON KABUSHIKI KAISHA (also trading  
as AEON Co., Ltd )

1-5-1 Nakase, Mihama-ku, Chiba-city,  
Chiba 261-8515, Japan

(111) No. 30130

(180) 05/12/2034

(540) Trademark Renewal



(511) 03

(210) No. 30379

(220) 25/09/2013

(732) AEON KABUSHIKI KAISHA (also trading  
as AEON Co., Ltd )

1-5-1 Nakase, Mihama-ku, Chiba-city,  
Chiba 261-8515, Japan

(111) No. 30131

(180) 05/12/2034



(540) Trademark Renewal



(511) 04

(210) No. 30380

(220) 25/09/2013

(732) AEON KABUSHIKI KAISHA (also trading  
as AEON Co., Ltd )

1-5-1 Nakase, Mihama-ku, Chiba-city,  
Chiba 261-8515, Japan

(111) No. 30132

(180) 05/12/2034

(540) Trademark Renewal



(511) 05

(210) No. 30381

(220) 25/09/2013

(732) AEON KABUSHIKI KAISHA (also trading  
as AEON Co., Ltd )

1-5-1 Nakase, Mihama-ku, Chiba-city,  
Chiba 261-8515, Japan

(111) No. 30133

(180) 05/12/2034

(540) Trademark Renewal



(511) 06

(210) No. 30382

(220) 25/09/2013

(732) AEON KABUSHIKI KAISHA (also trading  
as AEON Co., Ltd )

1-5-1 Nakase, Mihama-ku, Chiba-city,  
Chiba 261-8515, Japan

(111) No. 30134

(180) 05/12/2034

(540) Trademark Renewal



(511) 07

(210) No. 30383

(220) 25/09/2013

(732) AEON KABUSHIKI KAISHA (also trading  
as AEON Co., Ltd )

1-5-1 Nakase, Mihama-ku, Chiba-city,  
Chiba 261-8515, Japan

(111) No. 30135

(180) 05/12/2034

(540) Trademark Renewal



(511) 08

(210) No. 30384

(220) 25/09/2013

(732) AEON KABUSHIKI KAISHA (also trading  
as AEON Co., Ltd )

1-5-1 Nakase, Mihama-ku, Chiba-city,  
Chiba 261-8515, Japan

(111) No. 30136

(180) 05/12/2034

(540) Trademark Renewal



(511) 09

(210) No. 30385

(220) 25/09/2013

(732) AEON KABUSHIKI KAISHA (also trading  
as AEON Co., Ltd )

1-5-1 Nakase, Mihama-ku, Chiba-city,  
Chiba 261-8515, Japan

(111) No. 30137

(180) 05/12/2034

(540) Trademark Renewal



(511) 10

(210) No. 30386

(220) 25/09/2013

(732) AEON KABUSHIKI KAISHA (also trading  
as AEON Co., Ltd )

1-5-1 Nakase, Mihama-ku, Chiba-city,  
Chiba 261-8515, Japan

(111) No. 30138

(180) 05/12/2034

(540) Trademark Renewal



(511) 11

(210) No. 30387

(220) 25/09/2013

(732) AEON KABUSHIKI KAISHA (also trading  
as AEON Co., Ltd )

1-5-1 Nakase, Mihama-ku, Chiba-city,  
Chiba 261-8515, Japan

(111) No. 30139

(180) 05/12/2034

(540) Trademark Renewal



(511) 12

(210) No. 30388

(220) 25/09/2013

(732) AEON KABUSHIKI KAISHA (also trading  
as AEON Co., Ltd )

1-5-1 Nakase, Mihama-ku, Chiba-city,  
Chiba 261-8515, Japan

(111) No. 30140

(180) 05/12/2034

(540) Trademark Renewal



(511) 13

(210) No. 30389

(220) 25/09/2013

(732) AEON KABUSHIKI KAISHA (also trading  
as AEON Co., Ltd )

1-5-1 Nakase, Mihama-ku, Chiba-city,  
Chiba 261-8515, Japan

(111) No. 30141

(180) 05/12/2034

(540) Trademark Renewal



(511) 14

(210) No. 30390

(220) 25/09/2013

(732) AEON KABUSHIKI KAISHA (also trading  
as AEON Co., Ltd )

1-5-1 Nakase, Mihama-ku, Chiba-city,  
Chiba 261-8515, Japan

(111) No. 30142

(180) 05/12/2034

(540) Trademark Renewal



(511) 15

(210) No. 30391

(220) 25/09/2013

(732) AEON KABUSHIKI KAISHA (also trading  
as AEON Co., Ltd )

1-5-1 Nakase, Mihama-ku, Chiba-city,  
Chiba 261-8515, Japan

(111) No. 30143

(180) 05/12/2034

(540) Trademark Renewal



(511) 16

(210) No. 30392

(220) 25/09/2013

(732) AEON KABUSHIKI KAISHA (also trading  
as AEON Co., Ltd )

1-5-1 Nakase, Mihama-ku, Chiba-city,  
Chiba 261-8515, Japan

(111) No. 30144

(180) 05/12/2034

(540) Trademark Renewal



(511) 17

(210) No. 30393

(220) 25/09/2013

(732) AEON KABUSHIKI KAISHA (also trading  
as AEON Co., Ltd )

1-5-1 Nakase, Mihama-ku, Chiba-city,  
Chiba 261-8515, Japan

(111) No. 30145

(180) 05/12/2034

(540) Trademark Renewal



(511) 18

(210) No. 30394

(220) 25/09/2013

(732) AEON KABUSHIKI KAISHA (also trading  
as AEON Co., Ltd )

1-5-1 Nakase, Mihama-ku, Chiba-city,  
Chiba 261-8515, Japan

(111) No. 30146

(180) 05/12/2034

(540) Trademark Renewal



(511) 19

(210) No. 30395

(220) 25/09/2013

(732) AEON KABUSHIKI KAISHA (also trading  
as AEON Co., Ltd )

1-5-1 Nakase, Mihama-ku, Chiba-city,  
Chiba 261-8515, Japan

(111) No. 30147

(180) 05/12/2034



(540) Trademark Renewal



(511) 20

(210) No. 30396

(220) 25/09/2013

(732) AEON KABUSHIKI KAISHA (also trading  
as AEON Co., Ltd )

1-5-1 Nakase, Mihama-ku, Chiba-city,  
Chiba 261-8515, Japan

(111) No. 30148

(180) 05/12/2034

(540) Trademark Renewal



(511) 21

(210) No. 30397

(220) 25/09/2013

(732) AEON KABUSHIKI KAISHA (also trading  
as AEON Co., Ltd )

1-5-1 Nakase, Mihama-ku, Chiba-city,  
Chiba 261-8515, Japan

(111) No. 30149

(180) 05/12/2034

(540) Trademark Renewal



(511) 22

(210) No. 30398

(220) 25/09/2013

(732) AEON KABUSHIKI KAISHA (also trading  
as AEON Co., Ltd )

1-5-1 Nakase, Mihama-ku, Chiba-city,  
Chiba 261-8515, Japan

(111) No. 30150

(180) 05/12/2034

(540) Trademark Renewal



(511) 23

(210) No. 30399

(220) 25/09/2013

(732) AEON KABUSHIKI KAISHA (also trading  
as AEON Co., Ltd )

1-5-1 Nakase, Mihama-ku, Chiba-city,  
Chiba 261-8515, Japan

(111) No. 30151

(180) 05/12/2034

(540) Trademark Renewal



(511) 24

(210) No. 30400

(220) 25/09/2013

(732) AEON KABUSHIKI KAISHA (also trading  
as AEON Co., Ltd )

1-5-1 Nakase, Mihama-ku, Chiba-city,  
Chiba 261-8515, Japan

(111) No. 30152

(180) 05/12/2034

(540) Trademark Renewal



(511) 25

(210) No. 30401

(220) 25/09/2013

(732) AEON KABUSHIKI KAISHA (also trading  
as AEON Co., Ltd )

1-5-1 Nakase, Mihama-ku, Chiba-city,  
Chiba 261-8515, Japan

(111) No. 30153

(180) 05/12/2034

(540) Trademark Renewal



(511) 26

(210) No. 30402

(220) 25/09/2013

(732) AEON KABUSHIKI KAISHA (also trading  
as AEON Co., Ltd )

1-5-1 Nakase, Mihama-ku, Chiba-city,  
Chiba 261-8515, Japan

(111) No. 30154

(180) 05/12/2034

(540) Trademark Renewal



(511) 27

(210) No. 30403

(220) 25/09/2013

(732) AEON KABUSHIKI KAISHA (also trading  
as AEON Co., Ltd )

1-5-1 Nakase, Mihama-ku, Chiba-city,  
Chiba 261-8515, Japan

(111) No. 30155

(180) 05/12/2034

(540) Trademark Renewal



(511) 28

(210) No. 30404

(220) 25/09/2013

(732) AEON KABUSHIKI KAISHA (also trading  
as AEON Co., Ltd )

1-5-1 Nakase, Mihama-ku, Chiba-city,  
Chiba 261-8515, Japan

(111) No. 30156

(180) 05/12/2034

(540) Trademark Renewal



(511) 29

(210) No. 30405

(220) 25/09/2013

(732) AEON KABUSHIKI KAISHA (also trading  
as AEON Co., Ltd )

1-5-1 Nakase, Mihama-ku, Chiba-city,  
Chiba 261-8515, Japan

(111) No. 30157

(180) 05/12/2034

(540) Trademark Renewal



(511) 30

(210) No. 30406

(220) 25/09/2013

(732) AEON KABUSHIKI KAISHA (also trading  
as AEON Co., Ltd )

1-5-1 Nakase, Mihama-ku, Chiba-city,  
Chiba 261-8515, Japan

(111) No. 30158

(180) 05/12/2034

(540) Trademark Renewal



(511) 31

(210) No. 30407

(220) 25/09/2013

(732) AEON KABUSHIKI KAISHA (also trading  
as AEON Co., Ltd )

1-5-1 Nakase, Mihama-ku, Chiba-city,  
Chiba 261-8515, Japan

(111) No. 30159

(180) 05/12/2034

(540) Trademark Renewal



(511) 32

(210) No. 30408

(220) 25/09/2013

(732) AEON KABUSHIKI KAISHA (also trading  
as AEON Co., Ltd )

1-5-1 Nakase, Mihama-ku, Chiba-city,  
Chiba 261-8515, Japan

(111) No. 30160

(180) 05/12/2034

(540) Trademark Renewal



(511) 33

(210) No. 30409

(220) 25/09/2013

(732) AEON KABUSHIKI KAISHA (also trading  
as AEON Co., Ltd )

1-5-1 Nakase, Mihama-ku, Chiba-city,  
Chiba 261-8515, Japan

(111) No. 30161

(180) 05/12/2034

(540) Trademark Renewal



(511) 34

(210) No. 30410

(220) 25/09/2013

(732) AEON KABUSHIKI KAISHA (also trading  
as AEON Co., Ltd )

1-5-1 Nakase, Mihama-ku, Chiba-city,  
Chiba 261-8515, Japan

(111) No. 30162

(180) 05/12/2034

(540) Trademark Renewal



(511) 35

(210) No. 30411

(220) 25/09/2013

(732) AEON KABUSHIKI KAISHA (also trading  
as AEON Co., Ltd )

1-5-1 Nakase, Mihama-ku, Chiba-city,  
Chiba 261-8515, Japan

(111) No. 30163

(180) 05/12/2034



(540) Trademark Renewal



(511) 36

(210) No. 30412

(220) 25/09/2013

(732) AEON KABUSHIKI KAISHA (also trading  
as AEON Co., Ltd )

1-5-1 Nakase, Mihama-ku, Chiba-city,  
Chiba 261-8515, Japan

(111) No. 30164

(180) 05/12/2034

(540) Trademark Renewal



(511) 37

(210) No. 30413

(220) 25/09/2013

(732) AEON KABUSHIKI KAISHA (also trading  
as AEON Co., Ltd )

1-5-1 Nakase, Mihama-ku, Chiba-city,  
Chiba 261-8515, Japan

(111) No. 30165

(180) 05/12/2034

(540) Trademark Renewal



(511) 38

(210) No. 30414

(220) 25/09/2013

(732) AEON KABUSHIKI KAISHA (also trading  
as AEON Co., Ltd )

1-5-1 Nakase, Mihama-ku, Chiba-city,  
Chiba 261-8515, Japan

(111) No. 30166

(180) 05/12/2034

(540) Trademark Renewal



(511) 39

(210) No. 30415

(220) 25/09/2013

(732) AEON KABUSHIKI KAISHA (also trading  
as AEON Co., Ltd )

1-5-1 Nakase, Mihama-ku, Chiba-city,  
Chiba 261-8515, Japan

(111) No. 30167

(180) 05/12/2034

(540) Trademark Renewal



(511) 40

(210) No. 30416

(220) 25/09/2013

(732) AEON KABUSHIKI KAISHA (also trading  
as AEON Co., Ltd )

1-5-1 Nakase, Mihama-ku, Chiba-city,  
Chiba 261-8515, Japan

(111) No. 30168

(180) 05/12/2034

(540) Trademark Renewal



(511) 41

(210) No. 30417

(220) 25/09/2013

(732) AEON KABUSHIKI KAISHA (also trading  
as AEON Co., Ltd )

1-5-1 Nakase, Mihama-ku, Chiba-city,  
Chiba 261-8515, Japan

(111) No. 30169

(180) 05/12/2034

(540) Trademark Renewal



(511) 42

(210) No. 30418

(220) 25/09/2013

(732) AEON KABUSHIKI KAISHA (also trading  
as AEON Co., Ltd )

1-5-1 Nakase, Mihama-ku, Chiba-city,  
Chiba 261-8515, Japan

(111) No. 30170

(180) 05/12/2034

(540) Trademark Renewal



(511) 43

(210) No. 30419

(220) 25/09/2013

(732) AEON KABUSHIKI KAISHA (also trading  
as AEON Co., Ltd )

1-5-1 Nakase, Mihama-ku, Chiba-city,  
Chiba 261-8515, Japan

(111) No. 30171

(180) 05/12/2034

(540) Trademark Renewal



(511) 44

(210) No. 30420

(220) 25/09/2013

(732) AEON KABUSHIKI KAISHA (also trading  
as AEON Co., Ltd )

1-5-1 Nakase, Mihama-ku, Chiba-city,  
Chiba 261-8515, Japan

(111) No. 30172

(180) 05/12/2034

(540) Trademark Renewal



(511) 45

(210) No. 30421

(220) 25/09/2013

(732) AEON KABUSHIKI KAISHA (also trading  
as AEON Co., Ltd )

1-5-1 Nakase, Mihama-ku, Chiba-city,  
Chiba 261-8515, Japan

(111) No. 30173

(180) 05/12/2034

(540) Trademark Renewal

**VAPE ONE PUSH**

(511) 05

(210) No. 30456

(220) 03/10/2013

(732) FUMAKILLA LIMITED

No. 11, Kanda-Mikuracho, Chiyoda-ku, Tokyo,  
Japan

(111) No. 30207

(180) 05/12/2034

(540) Trademark Renewal



(511) 32

(210) No. 30588

(220) 22/10/2013

(732) SAIGON BEER-ALCOHOL-BEVERAGE  
CORPORATION

187 Nguyen Chi Thanh, Ward 12, District 5,  
Ho Chi Minh City, Vietnam

(111) No. 30319

(180) 05/12/2034

(540) Trademark Renewal



(511) 12

(210) No. 30946

(220) 04/12/2013

(732) GITI TIRE PTE. LTD.

9 OXLEY RISE, #01-02, THE OXLEY,  
SINGAPORE 238697

(111) No. 30649

(180) 18/12/2034

(540) Trademark Renewal



(511) 35

(210) No. 30947

(220) 04/12/2013

(732) GITI TIRE PTE. LTD.

9 OXLEY RISE, #01-02, THE OXLEY,  
SINGAPORE 238697

(111) No. 30650

(180) 18/12/2034

(540) Trademark Renewal

**"GT RADIAL"**

(511) 12

(210) No. 30948

(220) 04/12/2013

(732) GITI TIRE PTE. LTD.

9 OXLEY RISE, #01-02, THE OXLEY,  
SINGAPORE 238697

(111) No. 30651

(180) 18/12/2034

(540) Trademark Renewal

**"GT RADIAL"**

(511) 35

(210) No. 30949

(220) 04/12/2013

(732) GITI TIRE PTE. LTD.

9 OXLEY RISE, #01-02, THE OXLEY,  
SINGAPORE 238697

(111) No. 30652

(180) 18/12/2034



(540) Trademark Renewal

**"PRIMEWELL"**

(511) 12

(210) No. 30950

(220) 04/12/2013

(732) GITI TIRE PTE. LTD.

9 OXLEY RISE, #01-02, THE OXLEY,  
SINGAPORE 238697

(111) No. 30653

(180) 18/12/2034

(540) Trademark Renewal

**"PRIMEWELL"**

(511) 35

(210) No. 30951

(220) 04/12/2013

(732) GITI TIRE PTE. LTD.

9 OXLEY RISE, #01-02, THE OXLEY,  
SINGAPORE 238697

(111) No. 30654

(180) 18/12/2034

(540) Trademark Renewal

**WOODWARDS**

(511) 05

(210) No. 11219

(220) 26/04/2004

(732) LRC PRODUCTS LIMITED

103-105 Bath Road, Slough, SL1 3UH,  
United Kingdom

(111) No. 32140

(180) 25/04/2034

(540) Trademark Renewal



(511) 03

(210) No. 11241

(220) 10/05/2004

(732) Chaoyang Baolansi Meiculous & Chemical

Co., Ltd  
31-32 Xiahua Road, Xiashan, Chaoyang City,  
Guangdong Province, China

(111) No. 32141

(180) 09/06/2035

(540) Trademark Renewal

**DIKY**

(511) 03

(210) No. 11243

(220) 10/05/2004

(732) Chaoyang Baolansi Meiculous & Chemical  
Co., Ltd

31-32 Xiahua Road, Xiashan, Chaoyang City,  
Guangdong Province, China

(111) No. 32142

(180) 09/06/2035

(540) Trademark Renewal



(511) 03

(210) No. 11245

(220) 10/05/2004

(732) Chaoyang Baolansi Meiculous & Chemical  
Co., Ltd

31-32 Xiahua Road, Xiashan, Chaoyang City,  
Guangdong Province, China

(111) No. 32143

(180) 09/06/2035

**ພາກທີ III**

**(Part III)**

**ເຄື່ອງໝາຍການຄ້າ**

**Trademarks**

**4. ການປ່ຽນແປງ**

**(Changes)**

**ພາກທີ III**  
**(Part III)**  
**ເຄື່ອງໝາຍການຄ້າ**  
**Trademarks**

**5. ການດັດແກ້**  
**(Amendments)**

## ພາກທີ IV

### (Part IV)

#### ເຄື່ອງໝາຍການຄ້າຜ່ານລະບົບມາດຣິດ

### Trademarks via Madrid Protocol

#### 1. ຄໍາຮ້ອງ

#### (Applications)

##### ຄໍາອະທິບາຍກ່ຽວກັບລະຫັດຫຍໍ້

##### (Introduction of Codes)

- (540) ເຄື່ອງໝາຍການຄ້າ (Trademark)
- (511) ໝວດ (Nice Classification)
- (210) ເລກທີ ຄໍາຮ້ອງ (Number of the application)
- (220) ວັນທີ ຄໍາຮ້ອງ (Date of filing of the application)
- (732) ຊື່ ແລະ ທີ່ຢູ່ ຂອງຜູ້ຍື່ນຄໍາຮ້ອງ (Name and Address of applicant)

(540)Madrid Application

**ФРУТОНЯНЯ**

(511) 05 and 32

(210) No. M/0798611

(220) 30/08/2024

(732) Joint Stock Company "PROGRESS"

Vladienie 2, ul. Angarskaya RU-398902

Lipetsk, Russian Federation

(540)Madrid Application

**O l y s e t**

(511) 23 and 24

(210) No. M/0883108

(220) 18/10/2024

(732) SUMITOMO CHEMICAL COMPANY,

LIMITED

2-7-1, Nihonbashi, Chuo-ku Tokyo

103-6020, Japan

(540)Madrid Application

**ZABBIX**

(511) 41 and 42

(210) No. M/1004776

(220) 03/09/2024

(732) ZABBIX, SIA

Dzelzavas iela 117 LV-1021 Riga, Latvia

(540)Madrid Application

***Nidec***

(511) 01, 02, 03, 06, 07, 08, 09, 10, 11, 12, 13, 14,  
15, 16, 28, 29, 30, 32, 35, 36, 37, 38, 39, 40, 41, 42,  
43, 44 and 45

(210) No. M/1009958

(220) 06/09/2024

(732) NIDEC CORPORATION

338 KUZETONOSHIRO-CHO,

MINAMI-KU KYOTO 601-8205, JAPAN



(540)Madrid Application

**SHINING CROWN**

(511) 09 and 28

(210) No. M/1355038

(220) 18/09/2024

(732) Euro Games Technology Ltd.

6 Panorama Sofia Str., Richhill Business  
Center, ground floor, Vitosha region  
BG-1766 Sofia, Bulgaria

(540)Madrid Application



THEFUTUREFACTORY

(511) 20 and 24

(210) No. M/1356309

(220) 22/10/2024

(732) MAXCHIEF EUROPE, S.L.

Roger de Flor, 93-95, local E-08013  
BARCELONA, SPAIN

(540)Madrid Application



(511) 05

(210) No. M/1432840

(220) 21/10/2024

(732) LABORATOIRES NH.CO NUTRITION  
400 Avenue Roumanille, BP 309 SOPHIA  
ANTIPOLIS F-06410 BIOT, FRANCE

(540)Madrid Application

**ZABBIX**

(511) 09

(210) No. M/1489681

(220) 03/09/2024

(732) Zabbix, SIA  
Dzelzavas Street 117 LV-1021 Riga, Latvia

(540)Madrid Application

**Odyssey**

(511) 09

(210) No. M/1507774

(220) 04/10/2024

(732) SAMSUNG ELECTRONICS CO., LTD.

129, Samsung-ro, Yeongtong-gu, Suwon-si  
Gyeonggi-do, Republic of Korea

(540)Madrid Application



**ZWIESEL**  
**GLAS**

(511) 08, 20, 21, 24 and 35

(210) No. M/1542960

(220) 09/09/2024

(732) Zwiesel Kristallglas AG

Dr.-Schott-Strasse 35 94227 Zwiesel,  
Germany

(540)Madrid Application



(511) 09, 28 and 41

(210) No. M/1587390

(220) 18/09/2024

(732) Euro Games Technology Ltd.

6 Panorama Sofia Str., Richhill Business  
Center, ground floor, Vitosha region  
BG-1766 Sofia, Bulgaria

(540)Madrid Application



(511) 09, 28 and 41

(210) No. M/1588560

(220) 18/09/2024

(732) Euro Games Technology Ltd.

6 Panorama Sofia Str., Richhill Business  
Center, ground floor, Vitosha region  
BG-1766 Sofia, Bulgaria

(540)Madrid Application

**HAROUTINE**

(511) 05

(210) No. M/1631435

(220) 14/08/2024

(732) Emberson LLC

35 N Raymond Ave. #209 Pasadena CA  
91103, United States of America

(540)Madrid Application

**RABANNE**

(511) 03, 09, 14, 18, 25 and 35

(210) No. M/1664553

(220) 30/08/2024

(732) PACO RABANNE

17 rue François 1er F-75008 Paris, France

(540)Madrid Application



(511) 29 and 43

(210) No. M/1668631

(220) 08/10/2024

(732) GENESIS BBQ Co., Ltd.

64, Jungdae-ro, Songpa-gu Seoul 05833,  
Republic of Korea

(540)Madrid Application

**Palm Pals**

(511) 28

(210) No. M/1751318

(220) 14/08/2024

(732) Aurora World Corporation

624, Teheran-ro, Gangnam-gu Seoul 06175,  
Republic of Korea

(540)Madrid Application



(511) 03, 09, 14, 18, 25 and 35

(210) No. M/1770725

(220) 30/08/2024

(732) PACO RABANNE

17 rue François 1er F-75008 Paris, France

(540)Madrid Application

**House of hur**

(511) 03

(210) No. M/1775043

(220) 02/10/2024

(732) HOUSE OF HUR KOREA INC

B1410-A-ho, 14F, 150, Yeongdeungpo-ro,  
Yeongdeungpo-gu Seoul, Republic of Korea

(540)Madrid Application

**ZEGFIO**

(511) 05

(210) No. M/1785475

(220) 21/08/2024

(732) TAIHO PHARMACEUTICAL CO., LTD.

1-27, Kandnishiki-cho, Chiyoda-ku Tokyo

101-8444, Japan

(540)Madrid Application

**Circline**

(511) 03

(210) No. M/1805886

(220) 15/10/2024

(732) Zhejiang Rifeshow Cosmetics Co., Ltd.

No. 67 Dashi Road, Fotang Town,

Yiwu City Zhejiang, China



(540)Madrid Application

Three Squirrels

(511) 29, 30 and 32

(210) No. M/1815346

(220) 12/07/2024

(732) THREE SQUIRRELS INC.

Jiusheng Road No. 8, Hi-Tech Industrial  
Development Zone, Yijiang District, Wuhu  
241000 Anhui Province, China

(540)Madrid Application

Jeenice

(511) 12

(210) No. M/1815354

(220) 09/07/2024

(732) ZHEJIANG WINSAFE AUTOMOTIVE  
COMPONENTS CO., LTD

No.11 Zhongxing Road, Huangzhai Town,  
Pujiang County, Jinhua City Zhejiang  
Province, China

(540)Madrid Application

**skin motto**

(511) 03

(210) No. M/1815355

(220) 04/07/2024

(732) Shantou Wesheda Cosmetics Co., Ltd.

Jiaoxi Industrial Zone, Lianxia Town,

Chenghai District, Shantou City Guangdong

Province, China

(540)Madrid Application

**RIND**

(511) 03

(210) No. M/1815445

(220) 16/08/2024

(732) Redwood Brand Holdings LLC

14400 NW 112th Ave Hialeah Gardens FL

33018, United States of America

(540)Madrid Application

oralshark

(511) 03 and 21

(210) No. M/1815477

(220) 04/07/2024

(732) Shenzhen Xiao Kuo Technology Co., Ltd  
15/F, building T1, QHL insurance financial  
center, No. 1100 Xingye Road, Xin'an street,  
Bao'an District, Shenzhen 518100  
Guangdong, China

(540)Madrid Application

**MARSTEK**

(511) 09

(210) No. M/1815490

(220) 02/08/2024

(732) Marstek Energy Co.,Ltd  
1-4F, BLDG#9, 1/F, BLDG#5, West Industrial  
Park, South of the Intersection of Ma'anshan  
Tunnel and Zhangshe Avenue, Xiangxi  
High-tech Zone Hunan Province, China

(540)Madrid Application

WEILAIYA

(511) 03

(210) No. M/1815495

(220) 29/07/2024

(732) Guangzhou Weilaiya Biotechnology Co., Ltd  
Room 701, No. 5, Lvgang 5th Street, Huadu  
District, Guangzhou 510000 Guangdong,  
China

(540)Madrid Application

小鹿蓝蓝  
Deer Blue

(511) 05, 29, 30 and 32

(210) No. M/1815496

(220) 12/07/2024

(732) THREE SQUIRRELS INC.  
Jiusheng Road No. 8, Hi-Tech Industrial  
Development Zone, Yijiang District,  
Wuhu 241000 Anhui Province, China

(540)Madrid Application

**BIBIMEDBAP**

(511) 29 and 30

(210) No. M/1815612

(220) 09/08/2024

(732) DONGWON F&B CO., LTD.

(Yangjae-dong) 68, Mabang-ro, Seocho-gu  
Seoul, Republic of Korea

(540)Madrid Application



(511) 30 and 44

(210) No. M/1815672

(220) 25/06/2024

(732) Beijing Yushengtang Health Industry Group  
Co.,Ltd

No. 3, Jinguang South Street, Liangxiang,  
Fangshan District 102433 Beijing, China

(540)Madrid Application

The logo consists of the letters 'DGS' in a bold, serif font. The 'D' and 'G' are connected at the top, and the 'S' is positioned to the right of the 'G'.

(511) 18 and 25

(210) No. M/1815678

(220) 12/08/2024

(732) ZHEJIANG RED DRAGONFLY

FOOTWEAR CO., LTD.

No. 2357, Shuangta Road, Oubei Subdistrict,  
Yongjia, Wenzhou 325100 Zhejiang, China

(540)Madrid Application

The logo consists of the word 'senz' in a lowercase, sans-serif font. The letters are closely spaced and have a slightly irregular, hand-drawn appearance.

(511) 30

(210) No. M/1815679

(220) 25/06/2024

(732) LanHe ( Suzhou) Foods Co.,Ltd

No.118 Fangzhong Street, Suzhou Industrial  
Park, Suzhou Jiangsu, China

(540)Madrid Application

**Voosas**

(511) 09

(210) No. M/1815682

(220) 16/08/2024

(732) Zhenzhen Fan

Room 2805, No.7, Shuirong North Street,  
Haizhu District, Guangzhou City 510538  
Guangdong Province, China

(540)Madrid Application

**鯉言緹**

(511) 30

(210) No. M/1815784

(220) 16/08/2024

(732) Quanzhou Infini tea industry Co., LTD

No. 1188 Lichun Village Lichun, Huizu  
Town, Baiqi Township, Quanzhou Taiwanese  
Investment Zone, Quanzhou City 362000  
Fujian Province, China

(540)Madrid Application

**Women's Secrets**

(511) 09, 28 and 41

(210) No. M/1815790

(220) 18/04/2024

(732) Euro Games Technology Ltd.

Panorama Sofia Str. 6, Richhill Business

Center, ground floor BG-1766 Vitosha Region,

Sofia, Bulgaria

(540)Madrid Application

**佐 知**

(511) 45

(210) No. M/1815813

(220) 13/07/2024

(732) Jiangsu Huizhida Information Technology

Co., Ltd.

Room 3302, Unit 2, Building 1, Wanda Plaza,

Taizhou Jiangsu Province, China



(540)Madrid Application



(511) 12

(210) No. M/1815819

(220) 06/08/2024

(732) Lin Yingzhuan

No. 79 Qianqiushedaxiang, Jieshi Town,  
Lufeng 516545 Guangdong, China

(540)Madrid Application



(511) 14 and 26

(210) No. M/1815837

(220) 31/07/2024

(732) AGATHA

37 rue de Liège F-75008 Paris, France

(540)Madrid Application



(511) 07

(210) No. M/1815868

(220) 21/06/2024

(732) Zhejiang Dongya Facility Co., Ltd.  
Central Avenue, Yueqing Economic  
Development Zone, Yueqing City Zhejiang  
Province, China

(540)Madrid Application

**OLIGO-MIX**

(511) 01

(210) No. M/1815908

(220) 01/08/2024

(732) PLANTIN  
Usine de la Rolande, 381 route d'Avignon  
F-84350 Courthézon, France

(540)Madrid Application



(511) 09, 28 and 41

(210) No. M/1815964

(220) 18/04/2024

(732) Euro Games Technology Ltd.

Panorama Sofia Str. 6, Richhill Business  
Center, ground floor BG-1766 Vitosha  
Region, Sofia, Bulgaria

(540)Madrid Application



(511) 25

(210) No. M/1816019

(220) 16/08/2024

(732) Ningbo Baoli Textile Co.,Ltd

B#, No.1216-1244,Wushan North Road,  
Wuxing Village, Qiaotou Town, Cixi City  
Zhejiang Province, China

(540)Madrid Application



(511) 29, 30 and 32

(210) No. M/1816020

(220) 12/07/2024

(732) THREE SQUIRRELS INC.

Jiusheng Road No. 8, Hi-Tech Industrial  
Development Zone, Yijiang District, Wuhu  
241000 Anhui Province, China

(540)Madrid Application



(511) 25

(210) No. M/1816038

(220) 20/08/2024

(732) INDUSTRIA DE DISEÑO TEXTIL, S.A.

(INDITEX, S.A.)

Avenida de la Diputación, "Edificio Inditex"  
E-15142 Arteixo (A Coruña), Spain

(540)Madrid Application

The logo for Kubota, featuring the word "Kubota" in a stylized, bold, sans-serif font. The letters are black and have a slightly irregular, hand-drawn appearance.

(511) 01, 02, 04, 07 and 12

(210) No. M/1816188

(220) 25/06/2024

(732) KUBOTA CORPORATION

2-47, Shikitsuhashi 1-chome, Naniwa-ku,  
Osaka-shi Osaka 556-8601, Japan

(540)Madrid Application

The logo for Alpicool, featuring a stylized illustration of a person's face with a large, open mouth, appearing to be shouting or shouting "Cool". Below the illustration, the word "Alpicool" is written in a bold, sans-serif font. Underneath "Alpicool", the tagline "WE MAKE YOU FEEL COOL" is written in a smaller, all-caps, sans-serif font.

(511) 06, 11, 18, 19, 20, 21, 22, 24, 25, 28, 35, 37,  
42 and 43

(210) No. M/1816196

(220) 04/07/2024

(732) Foshan Alpicool Holding Group Co., Ltd.

No.3, ZhenZhu Road, Yang'e, Lunjiao,  
Shunde, Foshan 528000 Guangdong, China

(540)Madrid Application



(511) 29 and 30

(210) No. M/1816226

(220) 04/07/2024

(732) Hainan Bingqi Industrial Co., LTD  
Room 2702-350, 27th Floor, Building B,  
HNA Internet Financial Tower, No. 3  
Guoxing Avenue, Lantian Subdistrict, Meilan  
District, Haikou City 570100 Hainan  
Province, China

(540)Madrid Application



(511) 29 and 30

(210) No. M/1816270

(220) 12/08/2024

(732) OTTOGI CORPORATION  
(Pyeongchon-dong), 405, Heungan-daero,  
Dongan-gu, Anyang-si Gyeonggi-do 14060,  
Republic of Korea

(540)Madrid Application



(511) 29 and 30  
(210) No. M/1816313  
(220) 31/07/2024  
(732) Dongguan Yongyi Foods Co., Ltd.  
NO.19 Fudong Road, Houjie Town,  
Dongguan Guangdong, China

(540)Madrid Application



(511) 09  
(210) No. M/1816317  
(220) 18/07/2024  
(732) Suzhou Donna Electronics Technology  
Co.,Ltd.  
No.169 Ximuxiang Street, Huangqiao Town,  
Xiangcheng District, Suzhou City 215100  
Jiangsu Province, China

(540)Madrid Application

**MERRYCHENG**

(511) 25 and 35

(210) No. M/1816404

(220) 11/07/2024

(732) Meilicheng Fashion Technology (Wuhan)  
Co., Ltd.

G Zone, 1st Floor, Building 1, No. 8 Fengshu  
New Road, Wuhan Economic and  
Technological Development Zone, Wuhan  
City Hubei Province, China

(540)Madrid Application

**비빔드밥**

(511) 29 and 30

(210) No. M/1816428

(220) 09/08/2024

(732) DONGWON F&B CO., LTD.

(Yangjae-dong) 68, Mabang-ro, Seocho-gu  
Seoul, Republic of Korea



(540)Madrid Application

**OCEAN OF  
STORMS**

(511) 14

(210) No. M/1816551

(220) 24/05/2024

(732) Swatch AG (Swatch SA) (Swatch Ltd.)

Nicolas G. Hayek Strasse 1 CH-2502

Biel/Bienne, Switzerland

(540)Madrid Application

**ARC'TERYX**

(511) 18, 25 and 28

(210) No. M/1816592

(220) 23/05/2024

(732) Amer Sports Canada Inc.

110-2220 Dollarton Hwy. North Vancouver

BC V7H 1A8, Canada

(540)Madrid Application

**CORELY**

(511) 03

(210) No. M/1816644

(220) 16/08/2024

(732) Redwood Brand Holdings LLC

14400 NW 112th Ave Hialeah Gardens FL  
33018, United States of America

(540)Madrid Application

**FunFunland**

(511) 06, 14, 20, 26 and 28

(210) No. M/1816758

(220) 04/06/2024

(732) Shenzhen Blue Origin Brand Management  
Co., Ltd.

Room 3302, Building 2, Shenzhen New  
Generation Industrial Park, No. 136,  
Zhongkang Road, Meidu Community, Meilin  
Street, Futian District, Shenzhen City  
Guangdong Province, China

(540)Madrid Application

**Crown Hit**

(511) 09, 28 and 41

(210) No. M/1816798

(220) 22/04/2024

(732) Euro Games Technology Ltd.

Panorama Sofia Str. 6, Richhill Business

Center, ground floor BG-1766 Vitosha Region,

Sofia, Bulgaria

(540)Madrid Application



(511) 30, 32 and 35

(210) No. M/1816814

(220) 20/07/2024

(732) AGRIS GLOBE PTE. LTD.

60 PAYA LEBAR ROAD, #10-52 PAYA

LEBAR SQUARE SINGAPORE 409051

(540)Madrid Application



(511) 07

(210) No. M/1816842

(220) 21/06/2024

(732) Quanzhou Yu Sheng Zhichuang machinery Co., LTD

No.101, Building 21, Liandong U Valley, Science and Technology Innovation Valley, at the junction of Xingwei 2nd Road and Xingyuan Road, Xizhuang Village, Dongyuan Town, quanzhou taiwanese investment zone City 362000 Fujian Province, China

(540)Madrid Application



(511) 09, 11, 20, 21 and 24

(210) No. M/1816843

(220) 20/07/2024

(732) Guangdong Yikeke Group Co. Ltd.

Room 3501-2, Building 18, Wanke Jinyu Binjiang square, No.13 Desheng Midway Dehe Community, Daliang Street, Shunde District, Foshan 528000 Guangdong, China

(540)Madrid Application



(511) 07, 08, 11 and 21

(210) No. M/1816846

(220) 16/08/2024

(732) ZHEJIANG AOFENG ELECTRICAL

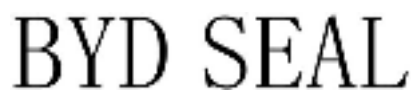
APPLANCES CO., LTD

NO.19, SHENBAO ROAD, BAIYANG

STREET, WUYI COUNTY, JINHUA CITY

ZHEJIANG PROVINCE, CHINA

(540)Madrid Application



(511) 12

(210) No. M/1816850

(220) 16/07/2024

(732) BYD COMPANY LIMITED

No.1, Yan'an Road, Kuichong Street, Dapeng

New District, Shenzhen Guangdong, China

(540)Madrid Application

**XUANTONG**  
**轩通**

(511) 09

(210) No. M/1816853

(220) 31/07/2024

(732) Zhongce Yongtong Cable Co., Ltd.

No. 111, High tech Industrial Park, Luqiao  
Street, Luqiao District, Taizhou City Zhejiang  
Province, China

(540)Madrid Application

**I WANT CHOO**

(511) 03

(210) No. M/1816953

(220) 22/08/2024

(732) J. Choo Limited

10 Howick Place London SW1P 1GW,  
United Kingdom

(540)Madrid Application

The logo consists of the letters 'AFB' in a bold, black, sans-serif font. The letters are closely spaced and have a slightly irregular, hand-drawn appearance.

(511) 06 and 12

(210) No. M/1816962

(220) 16/08/2024

(732) Fujian Huagai Machinery Manufacture Co.,  
Ltd.

Binjiang Auto Parts And Machinery Zone,  
Xiamei Town, Nan'an 362000 Fujian, China

(540)Madrid Application

The logo consists of the word 'Ziko' in a black, cursive script font. The letters are fluid and connected, with a slight shadow effect behind the text.

(511) 15

(210) No. M/1816967

(220) 02/08/2024

(732) Densun Music (Guangdong) Co., Ltd.

Factory Building 2, No. 58, Orange Garden  
Road, Qiuchang Street, Huiyang District,  
Huizhou City Guangdong Province, China

(540)Madrid Application



(511) 37

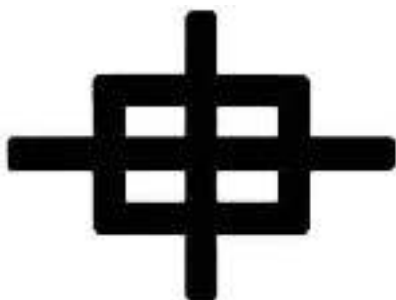
(210) No. M/1816968

(220) 17/07/2024

(732) SHANGHAI JIDU AUTOMOBILE CO.,  
LTD.

Building 2, No. 1688 Yecheng Road, Jiading  
District 200000 Shanghai, China

(540)Madrid Application



(511) 18 and 25

(210) No. M/1816973

(220) 22/07/2024

(732) Suixi County Yisuo Industry & Trade Co.,  
Ltd.

Industrial Park, Economic Development  
Zone, Suixi County, Huaibei City 235000  
Anhui Province, China



(540)Madrid Application

The logo for HUGEROCK features the word "HUGEROCK" in a bold, black, sans-serif font. The letter "O" is replaced by a stylized circle with a horizontal line through its center, resembling a ring or a gear.

(511) 09

(210) No. M/1816978

(220) 02/07/2024

(732) Shenzhen SOTEN Technology Co.,Ltd.

10th Floor,2nd Building, BaiWang Research  
and Development Building, No. 5308 Shahe  
West Road, Xili, Nanshan District 518000  
ShenZhen, China

(540)Madrid Application



(511) 25, 28 and 41

(210) No. M/1817008

(220) 27/11/2023

(732) FERRERO INTERNATIONAL S.A.

16, Route de Trèves L-2633 Senningerberg,  
Luxembourg

(540)Madrid Application



(511) 09, 28 and 41

(210) No. M/1817112

(220) 18/04/2024

(732) Euro Games Technology Ltd.

6 Panorama Sofia Str., Richhill Business  
Center, ground floor, Vitosha region  
BG-1766 Sofia, Bulgaria

(540)Madrid Application

DE-CODE

(511) 03

(210) No. M/1817198

(220) 12/07/2024

(732) New Age Limited Liability Company

Ryazanskij avenue, 67/2, premises 3P, room  
2 RU-109456 Moscow, Russian Federation

(540)Madrid Application



(511) 09, 35 and 36

(210) No. M/1817248

(220) 14/05/2024

(732) Bank of Guilin Limited

No. 8, Park North Road, Lingui District,

Guilin City 541199 Guangxi Province, China

(540)Madrid Application

**BW**

(511) 09 and 41

(210) No. M/1817270

(220) 17/03/2024

(732) Merryvale Limited

Kingsway House, Havilland Street St Peter

Port GY1 2QE, Guernsey

(540)Madrid Application



(511) 09 and 41

(210) No. M/1817271

(220) 17/03/2024

(732) Merryvale Limited

Kingsway House, Havilland Street St Peter  
Port GY1 2QE, Guernsey

(540)Madrid Application



(511) 09 and 41

(210) No. M/1817272

(220) 17/03/2024

(732) Merryvale Limited

Kingsway House, Havilland Street St Peter  
Port GY1 2QE, Guernsey

(540)Madrid Application

**GEELY EX5**

(511) 12

(210) No. M/1817312

(220) 30/07/2024

(732) ZHEJIANG GEELY HOLDING GROUP  
CO., LTD.

1760 JIANGLING ROAD, BINJIANG  
DISTRICT, HANGZHOU ZHEJIANG,  
CHINA

(540)Madrid Application

**1XBET**

(511) 35, 41 and 42

(210) No. M/1817326

(220) 03/09/2024

(732) Navasard Limited

Evvoias 2, Office 303, Agioi Omologites  
CY-1087 Nicosia, Cyprus

(540)Madrid Application

**Lady's Secret**

(511) 09, 28 and 41

(210) No. M/1817353

(220) 18/04/2024

(732) Euro Games Technology Ltd.

Panorama Sofia Str. 6, Richhill Business  
Center, ground floor BG-1766 Vitosha Region,  
Sofia, Bulgaria

(540)Madrid Application

(511) 05

(210) No. M/1817428

(220) 02/07/2024

(732) ALAMA VIET NAM BUSINESS AND  
TECHNOLOGY COMPANY LIMITED

5th Floor, Lang Trung Building, No. 60,  
Group 33, Lane 850, Lang Street, Lang  
Thuong Ward, Dong Da District Hanoi City,  
Vietnam

(540)Madrid Application

**ZWAN**

(511) 29 and 30

(210) No. M/1817432

(220) 23/07/2024

(732) Meatpoint B.V.

Twentepoort Oost 5 NL-7609 RG Almelo,  
The Netherlands

(540)Madrid Application

**40 BURNING  
GLOVER 6**

(511) 09, 28, 41 and 42

(210) No. M/1817566

(220) 22/04/2024

(732) Euro Games Technology Ltd.

Panorama Sofia Str. 6, Richhill Business  
Center, ground floor, Vitosha Region  
BG-1766 Sofia, Bulgaria

(540)Madrid Application



(511) 29 and 43

(210) No. M/1817586

(220) 29/05/2024

(732) Shanghai Zhengxin Food Group Co., Ltd.  
No. 588, Zhongde Road, Xiao Kunshan  
Town, Songjiang District 200000 Shanghai,  
China

(540)Madrid Application



(511) 29, 30, 32, 35 and 43

(210) No. M/1817603

(220) 25/04/2024

(732) BEIJING ALLIED FAXI FOOD CO., LTD.  
Jinma Industrial Zone, Shunyi District  
101300 Beijing, China



(540)Madrid Application

**GENTLE MONSTER**

(511) 09

(210) No. M/1817684

(220) 01/08/2024

(732) IICOMBINED Co., Ltd.

41, Eoulmadang-ro 5-gil, Mapo-gu Seoul,  
Republic of Korea

(540)Madrid Application

**EM-P**

(511) 12

(210) No. M/1817715

(220) 01/08/2024

(732) ZHEJIANG GEELY HOLDING GROUP  
CO., LTD.

1760 JIANGLING ROAD, BINJIANG  
DISTRICT, HANGZHOU ZHEJIANG,  
CHINA

(540)Madrid Application



(511) 15

(210) No. M/1817720

(220) 30/07/2024

(732) Hunan Carod Piano Co., Ltd.

Room 607-B306, Building A, Lugu Business  
Center, 199 Lulong Road, Lugu Street,  
Changsha High-tech Development Zone,  
Changsha City 410012 Hunan Province,  
China

(540)Madrid Application

SHILLA STAY PLUS

(511) 09, 35 and 43

(210) No. M/1817881

(220) 02/09/2024

(732) Hotel Shilla Co., LTD.

249, Dongho-ro, Jung-gu Seoul 04605,  
Republic of Korea

(540)Madrid Application

SHILLA STAY+

(511) 09, 35 and 43

(210) No. M/1817884

(220) 02/09/2024

(732) Hotel Shilla Co., LTD.

249, Dongho-ro, Jung-gu Seoul 04605,  
Republic of Korea

(540)Madrid Application

 FLIGHT 001

(511) 09, 16, 18, 20 and 35

(210) No. M/1818013

(220) 26/04/2024

(732) Flight 001 Asia Limited

Flat B, 7th Floor, Shing Hing Commercial  
Bldg., 21-27 Wing Kut St., Central Hong  
Kong, China

(540)Madrid Application



(511) 09, 28 and 41

(210) No. M/1818017

(220) 06/06/2024

(732) Euro Games Technology Ltd.

Panorama Sofia Str. 6, Richhill Business  
Center, ground floor, Vitosha Region  
BG-1766 Sofia, Bulgaria

(540)Madrid Application

Azzuno

(511) 08

(210) No. M/1818030

(220) 24/05/2024

(732) Wenling Awt Machinery Co., Ltd.

East of Xincheng Avenue, Qiaowu Village,  
Zeguo Town, Wenling, Taizhou City 317523  
Zhejiang Province, China

(540)Madrid Application

**Prosperity strike**

(511) 09, 28 and 41

(210) No. M/1818146

(220) 06/06/2024

(732) Euro Games Technology Ltd.

Panorama Sofia Str. 6, Richhill Business

Center, ground floor, Vitosha Region BG-1766

Sofia, Bulgaria

(540)Madrid Application



(511) 09, 28 and 41

(210) No. M/1818149

(220) 06/06/2024

(732) Euro Games Technology Ltd.

Panorama Sofia Str. 6, Richhill Business

Center, ground floor, Vitosha Region

BG-1766 Sofia, Bulgaria

(540)Madrid Application



(511) 09, 28 and 41

(210) No. M/1818150

(220) 06/06/2024

(732) Euro Games Technology Ltd.

Panorama Sofia Str. 6, Richhill Business  
Center, ground floor, Vitosha Region  
BG-1766 Sofia, Bulgaria

(540)Madrid Application

**CIRCUS BRILLIANT**

(511) 09, 28 and 41

(210) No. M/1818178

(220) 05/07/2024

(732) Društvo za trgovija i uslugi EVRO GEJMS

TEHNOLODŽI DOOEL Skopje

Ul. BORIS TRAJKOVSKI Br.214 A,  
KISELA VODA 1000 Skopje, Macedonia,  
The Former Yugoslav Republic of North  
Macedonia

(540)Madrid Application

**Line King**

(511) 09, 28 and 41

(210) No. M/1818179

(220) 05/07/2024

(732) Društvo za trgovija i uslugi EVRO GEJMS

TEHNOLODŽI DOOEL Skopje

Ul. BORIS TRAJKOVSKI Br.214 A, KISELA

VODA 1000 Skopje, Macedonia, The Former

Yugoslav Republic of North Macedonia

(540)Madrid Application

**Wink King**

(511) 09, 28 and 41

(210) No. M/1818180

(220) 05/07/2024

(732) Društvo za trgovija i uslugi EVRO GEJMS

TEHNOLODŽI DOOEL Skopje

Ul. BORIS TRAJKOVSKI Br.214 A, KISELA

VODA 1000 Skopje, Macedonia, The Former

Yugoslav Republic of North Macedonia

(540)Madrid Application



(511) 06, 11 and 19

(210) No. M/1818246

(220) 30/08/2024

(732) JOINT PROSPERITY INVESTMENT

PRIVATE LIMITED

151 CHIN SWEE ROAD, #01-39

MANHATTAN HOUSE SINGAPORE

169876

(540)Madrid Application



(511) 09

(210) No. M/1818384

(220) 09/06/2024

(732) Apple Inc.

One Apple Park Way Cupertino CA 95014,

United States of America



(540)Madrid Application

**BHAVA SPANDANA**

(511) 41

(210) No. M/1818400

(220) 26/09/2024

(732) ISHA FOUNDATION, INC.

951 Isha Lane McMinnville TN 37110,  
United States of America

(540)Madrid Application



(511) 35

(210) No. M/1818412

(220) 22/07/2024

(732) Ding Weizhong

No. 50, Group 4, Yulong Village, Yihe Town,  
Kaizhou District Chongqing, China

(540)Madrid Application

科林捷

(511) 10

(210) No. M/1818416

(220) 16/08/2024

(732) Shandong Zhuoyi Medical Technology Co.,  
Ltd.

No. 7 Lierkang Road, Economic and  
Technological Development Zone,  
Dezhou City Shandong Province, China

(540)Madrid Application

HAN'S LASER

(511) 07, 09 and 11

(210) No. M/1818427

(220) 04/07/2024

(732) HAN'S LASER TECHNOLOGY  
INDUSTRY GROUP CO., LTD.

No. 9988 Shennan Avenue, Nanshan District,  
Shenzhen 518000 Guangdong, China

(540)Madrid Application



(511) 20

(210) No. M/1818432

(220) 08/08/2024

(732) Ningbo Bison Technology Co., Ltd.  
Floor 3, Unit 5, Building 12, Binhai  
Zhichuang Small Business Industrial Park,  
Binhai Economic Development Zone,  
Cixi Zhejiang Province, China

(540)Madrid Application



(511) 05 and 30

(210) No. M/1818438

(220) 24/07/2024

(732) Beijing Scrianen Pharmaceutical Co., Ltd.  
Building 1, No. 3 Yuncheng Street, Beijing  
Economic and Technological Development  
Zone Beijing, China

(540)Madrid Application



(511) 12 and 37

(210) No. M/1818451

(220) 07/06/2024

(732) ZHEJIANG GEELY HOLDING GROUP  
CO., LTD.

1760 JIANGLING ROAD, BINJIANG  
DISTRICT, HANGZHOU ZHEJIANG,  
CHINA

(540)Madrid Application

**MINISO**

(511) 05, 21 and 31

(210) No. M/1818461

(220) 29/08/2024

(732) Miniso Trading Sp. z o.o

ul. Piękna 24/26A PL-00-549 Warsaw,  
Poland

(540)Madrid Application



(511) 09, 28 and 41

(210) No. M/1818474

(220) 06/06/2024

(732) Euro Games Technology Ltd.

Panorama Sofia Str. 6, Richhill Business  
Center, ground floor, Vitosha Region  
BG-1766 Sofia, Bulgaria

(540)Madrid Application



(511) 01

(210) No. M/1818488

(220) 24/07/2024

(732) Guangxi JieNeng Biotechnology Co., Ltd.

Room 201, 2nd Floor, Office Building, No.35  
Chengzhan Road, Dongmen Town, Luocheng  
County, Hechi City 546499 Guangxi Zhuang  
Autonomous Region, China

(540)Madrid Application

BYD SEALION

(511) 12

(210) No. M/1818489

(220) 18/07/2024

(732) BYD COMPANY LIMITED

No.1, Yan'an Road, Kuichong Street, Dapeng  
New District, Shenzhen Guangdong, China

(540)Madrid Application

cccove

(511) 20 and 24

(210) No. M/1818491

(220) 16/08/2024

(732) Shenzhen Blue Origin Brand Management  
Co., Ltd.

Room 3302, Building 2, Shenzhen New  
Generation Industrial Park, No.136,  
Zhongkang Road, Meidu Community, Meilin  
Street, Futian District, Shenzhen City  
Guangdong Province, China

(540)Madrid Application

**LIGHTBOX**  
**LABGROWN**

(511) 14 and 35

(210) No. M/1818497

(220) 28/08/2024

(732) Lightbox Jewelry Ltd.

17 Charterhouse Street London EC1N 6RA,  
United Kingdom

(540)Madrid Application

**LIGHTBOX**

(511) 14 and 35

(210) No. M/1818499

(220) 27/08/2024

(732) Lightbox Jewelry Ltd

17 Charterhouse Street London EC1N 6RA,  
United Kingdom

(540)Madrid Application



(511) 18, 25 and 35

(210) No. M/1818500

(220) 16/09/2024

(732) Suzhou Indel Garments Co., Ltd

East of Jiangdong Road, Su Ma Modern

Industrial Park, Su Zhou City 234000 Anhui

Province, China

(540)Madrid Application



(511) 14

(210) No. M/1818547

(220) 24/07/2024

(732) Guangzhou Baopeli Watch Co., Ltd.

Room B919, 3rd Floor, Building B, No. 14

Shengtang Street, Cen Village, Tianhe

District, Guangzhou City 510000 Guangdong

Province, China



(540)Madrid Application



(511) 29

(210) No. M/1818549

(220) 24/07/2024

(732) DALI FOODS GROUP LIMITED

Linkou, Zishan Town, Hui'An County,  
Quanzhou 362100 Fujian, China

(540)Madrid Application

柒思思

(511) 25

(210) No. M/1818562

(220) 05/07/2024

(732) Fujian Seven Brand Fashion & Technology  
Co., Ltd.

No. 1 Seven Brand Fashion Industry Park,  
Yinglin Town, Jinjiang City Fujian Province,  
China

(540)Madrid Application



(511) 32

(210) No. M/1818572

(220) 13/08/2024

(732) DALI FOODS GROUP LIMITED

Linkou, Zishan Town, Hui'An County,  
Quanzhou 362100 Fujian, China

(540)Madrid Application



(511) 09

(210) No. M/1818573

(220) 14/07/2024

(732) Shenzhen Saibang Electrical Appliance Co.,  
Ltd

Room 603, 6th Floor, Building 1, Jiali  
Industrial Zone, Queshan Road, Taoyuan  
Community, Dalang Street, Longhua District,  
Shenzhen Guangdong, China

(540)Madrid Application

**PICK2WIN**

(511) 41

(210) No. M/1818578

(220) 17/09/2024

(732) INTERBLOCK D.O.O.

6900 S. Decatur Boulevard, Suite 100 Las  
Vegas NV 89118, United States of America

(540)Madrid Application



(511) 29 and 30

(210) No. M/1818595

(220) 09/07/2024

(732) F-Plus Co., Ltd.

58/3 Moo 6 Prapathon-Banpaew Road,  
Taladjinda Sub-district, Sampran District  
73110 Nakhon Pathom Province, Thailand

(540)Madrid Application

The logo for 'Fa Thai' is written in a stylized, blue, 3D-effect font. The letters are bold and rounded, with a slight shadow underneath, giving it a three-dimensional appearance. The 'F' and 'T' are particularly prominent.

(511) 29 and 30

(210) No. M/1818596

(220) 09/07/2024

(732) F-Plus Co., Ltd.

58/3 Moo 6 Prapathon-Banpaew Road,  
Taladjinda Sub-district, Sampran District  
73110 Nakhon Pathom Province, Thailand

(540)Madrid Application

The logo for 'MAOGEPING LIGHT' features the word 'MAOGEPING' in a large, bold, black, serif font. Below it, the word 'LIGHT' is written in a smaller, all-caps, black, sans-serif font. The overall design is clean and professional.

(511) 03 and 21

(210) No. M/1818606

(220) 30/07/2024

(732) Mao Geping Cosmetics Co., Ltd.

Room 1001, Wanyin Building, Shangcheng  
District, Hangzhou City 310000 Zhejiang  
Province, China

(540)Madrid Application

**dasfour**

(511) 18 and 25

(210) No. M/1818612

(220) 22/07/2024

(732) Suixi County Yisuo Industry & Trade Co.,  
Ltd.

Industrial Park, Economic Development  
Zone, Suixi County, Huaibei City 235000  
Anhui Province, China

(540)Madrid Application

**VENTION**

(511) 35

(210) No. M/1818620

(220) 17/07/2024

(732) Ningbo Fulman Communication Technology  
Co., Ltd.

No.98, Yuanzhong Road, Economic  
Development Zone, Xiangshan County,  
Ningbo 315000 Zhejiang, China

(540)Madrid Application

**okey hugge**

(511) 05

(210) No. M/1818628

(220) 18/07/2024

(732) Hangzhou Jiashi Brand Management Co., Ltd  
Room 416, Building 1, Shutai Fuchun  
Zhichuang Park, No. 516 Majia Road,  
Fengchuan Street, Tonglu County, Hangzhou  
City 311510 Zhejiang Province, China

(540)Madrid Application

**CERA**

(511) 11

(210) No. M/1818638

(220) 16/09/2024

(732) Zhuhai Xiangzhijun Technology Co., Ltd.  
Room 301-086, Scientific Research  
Headquarters Building, Guangdong-Macao  
Cooperation TCM Science and Technology  
Industrial Park, No. 1 Doukou Road, Hengqin  
New District, Zhuhai City Guangdong  
Province, China

(540)Madrid Application

**RHEA FERTILITY**

(511) 05, 40 and 44

(210) No. M/1818647

(220) 25/09/2024

(732) RHEA FERTILITY SINGAPORE PTE. LTD.

245 Fifth Avenue, 1001 New York NY 10016,  
United States of America

(540)Madrid Application

  
LONGYANG  
龙羊峡

(511) 29

(210) No. M/1818726

(220) 11/07/2024

(732) Longyang Fresh(Qinghai)Co., Ltd.

North Street, Longyangxia Town, Gonghe  
County, Hainan Tibetan Autonomous  
Prefecture 813000 Qinghai Province, China

(540)Madrid Application

**金沙河**  
**JINSHAKE**

(511) 30

(210) No. M/1818728

(220) 12/07/2024

(732) Hebei Jin Sha He Flour Manufacturing Group  
Co., Ltd

Eastbound 200 meters along Shahe Crossing,  
G107 National Highway, Shahe City 054100  
Hebei Province, China

(540)Madrid Application

**Pure: Moment:**

(511) 25

(210) No. M/1818743

(220) 09/08/2024

(732) Shanghai Yiyi Fashion Co., Ltd.

3rd and 4th floors, Building 2, No. 598,  
Guanghua Road, Minhang District Shanghai  
City, China



(540)Madrid Application

**GENPRIME**

(511) 05, 40 and 44

(210) No. M/1818798

(220) 24/09/2024

(732) RHEA FERTILITY SINGAPORE PTE. LTD.

245 Fifth Avenue, 1001 New York NY 10016,

United States of America

(540)Madrid Application

**BRIGHTHALE**

(511) 03, 05, 09, 10, 11, 35, 41, 42 and 44

(210) No. M/1818820

(220) 18/08/2023

(732) 3M Healthcare Intellectual Properties

Company

2501 Hudson Road, 3M Center St Paul MN

55144, United States of America

(540)Madrid Application

The logo for 'WELT' is displayed in a bold, red, italicized sans-serif font. The letters are closely spaced, and the 'T' has a distinctive shape with a horizontal bar that extends to the right.

(511) 12

(210) No. M/1818965

(220) 23/07/2024

(732) Obshchestvo s ogranichennoy  
otvetstvennost'yu "SK KANT"  
Elektrolitnyy pr-d, d. 7, korp. 2 RU-115230  
Moskva, Russian Federation

(540)Madrid Application

The logo for 'GLUZABET' is displayed in a bold, black, serif font. The letters are widely spaced and have a classic, slightly ornate appearance.

(511) 29

(210) No. M/1819000

(220) 23/04/2024

(732) Dragon Trading Businessment Joint Stock  
Company  
No. 3 alley 112/15/38 Dinh Cong Thuong,  
Dinh Cong ward, Hoang Mai district Hanoi,  
Vietnam

(540)Madrid Application



FLAMING BONUS  
SELECTION

(511) 09, 28 and 41

(210) No. M/1819063

(220) 06/06/2024

(732) Euro Games Technology Ltd.

Panorama Sofia Str. 6, Richhill Business  
Center, ground floor, Vitosha Region  
BG-1766 Sofia, Bulgaria

(540)Madrid Application



INAX

(511) 06, 11, 19, 20, 21, 37 and 42

(210) No. M/1819089

(220) 21/03/2024

(732) LIXIL Corporation

Osaki Garden Tower, 1-1-1 Nishishinagawa,  
Shinagawa-ku Tokyo 141-0033, Japan

(540)Madrid Application

**Solo Corner**

(511) 01, 20, 21, 24, 25 and 27

(210) No. M/1819118

(220) 15/08/2024

(732) Shenzhen Blue Origin Brand Management  
Co., Ltd.

Room 3302, Building 2, Shenzhen New  
Generation Industrial Park, No. 136,  
Zhongkang Road, Meidu Community,  
Meilin Street, Futian District, Shenzhen City  
Guangdong Province, China

(540)Madrid Application

**REDnote**

(511) 09, 35, 38, 41, 42 and 45

(210) No. M/1819165

(220) 22/07/2024

(732) GALAPAND HOLDING PTE. LIMITED  
9 RAFFLES PLACE, #26-01 REPUBLIC  
PLAZA SINGAPORE 048619

(540)Madrid Application

**G8HOME**

(511) 07, 09, 11, 21 and 35

(210) No. M/1819171

(220) 23/04/2024

(732) G8 MOSQUITO SWATTER &  
FLASHLIGHT MANUFACTURING  
COMPANY LIMITED

Land lot No.: 1184, Map sheet No.: 4, Nguyen Xa  
Xa Industrial Complex, Nguyen Xa  
Commune, Dong Hung District Thai Binh  
Province, Vietnam

(540)Madrid Application

**GENTLE MONSTER**

(511) 35

(210) No. M/1819196

(220) 01/08/2024

(732) IICOMBINED Co., Ltd.

41, Eoulmadang-ro 5-gil, Mapo-gu Seoul,  
Republic of Korea

(540)Madrid Application

**PHARE**

(511) 16

(210) No. M/1819267

(220) 04/06/2024

(732) BLUE ORIGIN MANAGEMENT  
CONSULTANT PTE. LTD.

73 UPPER PAYA LEBAR ROAD, #07-02J  
CENTRO BIANCO SINGAPORE 534818

(540)Madrid Application

**Flaming Bonus  
Selection**

(511) 09, 28 and 41

(210) No. M/1819268

(220) 31/05/2024

(732) Euro Games Technology Ltd.

Panorama Sofia Str. 6, Richhill Business  
Center, ground floor, Vitosha Region  
BG-1766 Sofia, Bulgaria

(540)Madrid Application



(511) 16

(210) No. M/1819443

(220) 04/06/2024

(732) BLUE ORIGIN MANAGEMENT  
CONSULTANT PTE. LTD.

73 UPPER PAYA LEBAR ROAD, #07-02J  
CENTRO BIANCO SINGAPORE 534818

(540)Madrid Application



(511) 28 and 35

(210) No. M/1819495

(220) 31/05/2024

(732) GOLF DO CO., LTD.

2-3-1 KAMIOCHIAI, CHUO-KU,  
SAITAMASHI SAITAMA 338-0001,  
JAPAN

(540)Madrid Application



(511) 30, 35 and 43

(210) No. M/1819499

(220) 17/04/2024

(732) FengXia

No.101, Xizhang Village,Wangfen Town,  
Qingzhou City, Weifang City Shandong  
Province, China

(540)Madrid Application

Discover the beauty of the world with your eyes

(511) 09

(210) No. M/1819697

(220) 12/09/2024

(732) SEED CO., LTD.

40-2, Hongo 2-chome, Bunkyo-ku Tokyo  
113-0033, Japan



(540)Madrid Application



(511) 09

(210) No. M/1819698

(220) 12/09/2024

(732) SEED CO., LTD.

40-2, Hongo 2-chome, Bunkyo-ku Tokyo  
113-0033, Japan

(540)Madrid Application



(511) 09, 28 and 41

(210) No. M/1819738

(220) 18/04/2024

(732) Euro Games Technology Ltd.

6 Panorama Sofia Str., Richhill Business  
Center, ground floor, Vitosha region  
BG-1766 Sofia, Bulgaria

(540)Madrid Application

**LIGHTBOX**

*Lab-Crown Diamonds*

(511) 14 and 35

(210) No. M/1819850

(220) 28/08/2024

(732) Lightbox Jewelry Ltd

17 Charterhouse Street London EC1N 6RA,  
United Kingdom

(540)Madrid Application

  
**EASTERN LIGHT**  
— DISTILLING —

(511) 40

(210) No. M/1819867

(220) 18/09/2024

(732) Eastern Light Distilling LLC

920 Dupont Rd. Louisville KY 40207,  
United States of America

(540)Madrid Application



(511) 29

(210) No. M/1820050

(220) 16/05/2024

(732) Anhui Guangtai food technology Co., LTD  
Fenglin Road North, Shuangdun Town  
Industrial Park, Changfeng County,  
Hefei City Anhui Province, China

(540)Madrid Application



(511) 09, 28 and 41

(210) No. M/1820064

(220) 31/05/2024

(732) Euro Games Technology Ltd.  
Panorama Sofia Str. 6, Richhill Business  
Center, ground floor, Vitosha Region  
BG-1766 Sofia, Bulgaria

(540)Madrid Application



**DONG CHANG**

(511) 01 and 02

(210) No. M/1820103

(220) 14/06/2024

(732) Dongchang Industry Co., Ltd Linhai Branch.  
No.158, Jingjiang South Road, Linhai City  
Taizhou City, Zhejiang Province, China

(540)Madrid Application

**ETHEREAL EYES**

(511) 03

(210) No. M/1820112

(220) 20/09/2024

(732) Ljulja Beauty Inc.

70 East 55th Street, 6th Floor New York NY  
10022, United States of America

(540)Madrid Application

**GRAFOLOG**

(511) 01 and 04

(210) No. M/1820128

(220) 18/09/2024

(732) LUBRILOG

18 Rue Nicolas Appert, ZI LES CHASSES  
F-26100 Romans-sur-Isère, France

(540)Madrid Application

**SONOSCAPE**

(511) 05, 10 and 35

(210) No. M/1820142

(220) 08/05/2024

(732) SONOSCAPE MEDICAL CORP.

Room 201, 202, Building 12, Phase 2  
Shenzhen Software Park, No. 1 Keji Zhong  
2nd Road, High-tech Central Zone, Maling  
Community, Yuehai Street, Nanshan District,  
Shenzhen Guangdong, China

(540)Madrid Application



(511) 09, 12, 38 and 42

(210) No. M/1820143

(220) 13/05/2024

(732) XIAOMI INC.

No.006, floor 6, building 6, yard 33, middle  
Xierqi Road Haidian District Beijing, China

(540)Madrid Application



(511) 07 and 11

(210) No. M/1820144

(220) 04/06/2024

(732) XIAOMI INC.

No.006, floor 6, building 6, yard 33, middle  
Xierqi Road Haidian District Beijing, China

(540)Madrid Application



(511) 29, 30, 32, 35 and 43

(210) No. M/1820334

(220) 29/05/2024

(732) PT NANYANG FOOD MANAGEMENT

Puri Indah Financial Tower, Unit 1601 Jl.

Puri Lingkar Dalam Blok T8, Kembangan

Selatan, Jakarta Barat, Kota Administrasi

Jakarta Barat DKI Jakarta 11610, Indonesia

(540)Madrid Application



(511) 03

(210) No. M/1820357

(220) 09/07/2024

(732) LAP VIET NAM PHARMACEUTICAL

PRODUCT COMPANY LIMITED

No. 21/56 Tu Lap Street, Ward 04, Tan Binh

District Ho Chi Minh City, Vietnam

(540)Madrid Application



(511) 03

(210) No. M/1820395

(220) 29/07/2024

(732) MULTANI PHARMACEUTICALS  
LIMITED

H-36, Connaught Place New Delhi 110001,  
India

(540)Madrid Application



(511) 05 and 30

(210) No. M/1820396

(220) 29/07/2024

(732) MULTANI PHARMACEUTICALS  
LIMITED

H-36, Connaught Place New Delhi 110001,  
India



(540)Madrid Application



(511) 07, 09 and 11

(210) No. M/1820579

(220) 06/05/2024

(732) Shanghai Electric Group Co., Ltd.  
30F, No.8 Xingyi Road 200336 Shanghai,  
China

(540)Madrid Application

**ORENO**

(511) 03

(210) No. M/1820638

(220) 28/05/2024

(732) JETHARAM NEMARAM GEHLOT  
101, Shree White Heights Apartment,  
Saraswati Nagar, Hirawadi Road, Panchavati,  
Nashik 422003 Maharashtra, India

(540)Madrid Application



(511) 01, 09, 29, 30, 31, 32 and 35

(210) No. M/1820655

(220) 16/07/2024

(732) PT NANYANG CHEMICAL

TECHNOLOGY INDONESIA

Puri Indah Financial Tower, Unit 1601. Jl.

Puri Indah Raya Blok T No.8, Kel.

Kembangan Selatan, Kec. Kembangan, Kota

Administrasi Jakarta Barat DKI Jakarta

11610, Indonesia

(540)Madrid Application

**LINDY**

(511) 09 and 42

(210) No. M/1820656

(220) 17/07/2024

(732) LINDY-Elektronik GmbH

Markircher Str. 20 68229 Mannheim, Germany

(540)Madrid Application

**Leprechaun Hot**

(511) 09, 28 and 41

(210) No. M/1820794

(220) 31/05/2024

(732) Euro Games Technology Ltd.

Panorama Sofia Str. 6, Richhill Business  
Center, ground floor, Vitosha Region  
BG-1766 Sofia, Bulgaria

(540)Madrid Application

**OH!  
SOME**

(511) 01, 03, 04, 17, 20, 21, 22, 24, 26, 27, 29, 30  
and 31

(210) No. M/1820797

(220) 28/05/2024

(732) BLUE ORIGIN MANAGEMENT

CONSULTANT PTE. LTD.

73 UPPER PAYA LEBAR ROAD, #07-02J  
CENTRO BIANCO SINGAPORE 534818

(540)Madrid Application



(511) 09, 18 and 25

(210) No. M/1820833

(220) 19/07/2024

(732) INDUSTRIA DE DISEÑO TEXTIL, S.A.  
(INDITEX, S.A.)

Avenida de la Diputación "Edificio Inditex"  
E-15142 Arteixo (A Coruña), Spain

(540)Madrid Application



(511) 35 and 37

(210) No. M/1820857

(220) 01/07/2024

(732) Midea Group Co., Ltd.

B26-28F, Midea Headquarter Building, No.6  
Midea Avenue, Beijiao, Shunde, Foshan  
Guangdong, China

(540)Madrid Application

**Ola Vito**

(511) 09, 28 and 41

(210) No. M/1820955

(220) 19/07/2024

(732) EGT DIGITAL LTD.

"Panorama Sofia" Str. 6, Business Center

"Richhill", block A BG-1766 Sofia, Bulgaria

(540)Madrid Application

**Hannibal**

(511) 09

(210) No. M/1820965

(220) 28/08/2024

(732) THE ONLY SOUND - FZCO

32478-001, Dubai Silicon Oasis, DDP,

Building A1 Dubai, United Arab Emirates

(540)Madrid Application

The logo for BEAUTRIUM consists of the word "BEAUTRIUM" in white, uppercase, sans-serif font, centered within a solid red rectangular background.

(511) 35

(210) No. M/1821049

(220) 20/08/2024

(732) Beautrium Co., Ltd.

394 Bangkok Bank Building, 2nd floor,  
Siamsquare Soi 5, Rama 1 Road, Pathumwan  
10330 Pathumwan, Bangkok, Thailand

(540)Madrid Application

The logo for LUMO consists of the word "LUMO" in a bold, black, serif font.

(511) 09

(210) No. M/1821058

(220) 20/08/2024

(732) Neuer Wall Treuhand GmbH

Am Sandtorkai 41 20457 Hamburg, Germany

(540)Madrid Application



(511) 31

(210) No. M/1821068

(220) 27/08/2024

(732) Manit Genetics Co., Ltd.

525 Phetkasem Road, Bangkhae Sub-district,  
Bangkhae District 10160 Bangkok, Thailand

## ພາກທີ IV

### (Part IV)

#### ເຄື່ອງໝາຍການຄ້າຜ່ານລະບົບມາດຣິດ

### Trademarks via Madrid Protocol

## 2. ຜົນການຈົດທະບຽນ

### (Registration)

#### ຄຳອະທິບາຍກ່ຽວກັບລະຫັດຫຍໍ້

#### (Introduction of Codes)

- (540) ເຄື່ອງໝາຍການຄ້າ (Trademark)
- (511) ໝວດ (Nice Classification)
- (210) ເລກທີ ຄຳຮ້ອງ (Number of the application)
- (220) ວັນທີ ຍື່ນຄຳຮ້ອງ (Date of filing of the application)
- (732) ຊື່ ແລະ ທີ່ຢູ່ ຂອງຜູ້ຍື່ນຄຳຮ້ອງ (Name and Address of applicant)
- (111) ເລກທີການຈົດທະບຽນເຄື່ອງໝາຍການຄ້າ (Number of the registration)
- (180) ວັນໝົດອາຍຸຂອງການຈົດທະບຽນ (Expiration date of the registration)



(540) Madrid Registration



(511)

(210) No. M/1656967

(220) 16/08/2023

(732) SHANGHAI M&G STATIONERY INC.

Building 3, No. 3469, Jinqian Road, Fengxian  
District 200000 Shanghai, China

(111) No. M/1656967

(180) 11/03/2032

(540) Madrid Registration



(511)

(210) No. M/1773153

(220) 18/10/2023

(732) CONG TY TNHH TAISUN VIET NAM

(TAISUN VIETNAM CO., LTD)

Lo A1-6, duong so N5, Khu cong nghiep Tay  
Bac Cu Chi, xa Tan An Hoi, huyen Cu Chi  
Thanh pho Ho Chi Minh, Vietnam

(111) No. M/1773153

(180) 18/10/2033

(540) Madrid Registration

**Pharaoh's Heritage**

(511)

(210) No. M/1773203

(220) 19/09/2023

(732) Euro Games Technology Ltd.

4, "Maritsa" Str., "Vranya-Lozen-Triugulnika"

BG-1151 Sofia, Bulgaria

(111) No. M/1773203

(180) 19/09/2033

(540) Madrid Registration

**SYENSQO**

(511)

(210) No. M/1773284

(220) 26/06/2023

(732) SYENSQO

Rue de la Fusée 98 B-1130 Brussels, Belgium

(111) No. M/1773284

(180) 26/06/2033

(540) Madrid Registration

The logo for Tokico, featuring the word "TOKICO" in a bold, stylized, black font. Each letter is composed of thick, horizontal bars with a central gap, giving it a mechanical or industrial appearance.

(511)

(210) No. M/1773340

(220) 21/08/2023

(732) Tokico System Solutions, Ltd.

3-9-27 TSURUMI CHUO, TSURUMI-KU,  
YOKOHAMA-SHI KANAGAWA 230-0051,  
JAPAN

(111) No. M/1773340

(180) 21/08/2033

(540) Madrid Registration

**HONOR Ultra-  
Bounce**

(511)

(210) No. M/1773350

(220) 06/12/2023

(732) Honor Device Co., Ltd.

Suite 3401, Unit A, Building 6, Shum Yip Sky  
Park, No. 8089, Hongli West Road, Xiangmihu  
Street, Futian District, Shenzhen 518040  
Guangdong, China

(111) No. M/1773350

(180) 06/12/2033

(540) Madrid Registration



(511)

(210) No. M/1773381

(220) 14/09/2023

(732) ARISE IIP INDIA PRIVATE LIMITED

1010, indra prakash, 21 barakhamba road new  
delhi 110001, India

(111) No. M/1773381

(180) 14/09/2033

(540) Madrid Registration

**MEDIMPACT**

(511)

(210) No. M/1773474

(220) 21/09/2023

(732) MedImpact Healthcare Systems, Inc.

10181 Scripps Gateway Court San Diego CA  
92131, United States of America

(111) No. M/1773474

(180) 21/09/2033

(540) Madrid Registration



(511)

(210) No. M/1773526

(220) 18/10/2023

(732) CONG TY TNHH TAISUN VIET NAM

(TAISUN VIETNAM CO., LTD.)

Lo A1-6, duong so N5, Khu Cong nhiep Tay

Bac Cu Chi, xa Tan An Hoi, huyen Cu Chi

Thanh pho Ho Chi Minh, Vietnam

(111) No. M/1773526

(180) 18/10/2033

(540) Madrid Registration



(511)

(210) No. M/1773611

(220) 14/12/2023

(732) GREEN OLIVE GROUP PTE. LTD.

1 PARK ROAD, #02-70 PEOPLE'S PARK

COMPLEX SINGAPORE 059108

(111) No. M/1773611

(180) 14/12/2033

(540) Madrid Registration

**JASCALE**

(511)

(210) No. M/1773879

(220) 07/12/2023

(732) HONOR MACHINERY CO., PTE. LTD.

7 TEMASEK BOULEVARD, #12-07

SUNTEC TOWER ONE SINGAPORE

038987

(111) No. M/1773879

(180) 07/12/2033

(540) Madrid Registration

**DAHACI**

(511)

(210) No. M/1773901

(220) 30/06/2023

(732) General Climate DOO Novi Sad

Novi Sad, Zheleznichka 13, Serbia

(111) No. M/1773901

(180) 30/06/2033

(540) Madrid Registration



(511)

(210) No. M/1773918

(220) 25/11/2023

(732) Estetra SRL

Rue Saint-Georges 5 B-4000 Liège, Belgium

(111) No. M/1773918

(180) 25/11/2033

(540) Madrid Registration

**EQUICORT**

(511)

(210) No. M/1774009

(220) 30/11/2023

(732) Dermcare-Vet Pty Ltd

7 Centenary Rd Slacks Creek QLD 4127,

Australia

(111) No. M/1774009

(180) 30/11/2033

(540) Madrid Registration

**EQUIPEL**

(511)

(210) No. M/1774116

(220) 29/11/2023

(732) Dermcare-Vet Pty Ltd

7 Centenary Rd Slacks Creek QLD 4127,

Australia

(111) No. M/1774116

(180) 29/11/2033

(540) Madrid Registration

**Shining Rainbow**

(511)

(210) No. M/1774230

(220) 19/09/2023

(732) Euro Games Technology Ltd.

4, "Maritsa" Str., "Vranya-Lozen-Triugulnika"

BG-1151 Sofia, Bulgaria

(111) No. M/1774230

(180) 19/09/2033



(540) Madrid Registration

**DEVELON**

(511)

(210) No. M/1774335

(220) 16/02/2023

(732) HD HYUNDAI INFRACORE CO., LTD.

489, Injung-ro, Dong-gu Incheon,

Republic of Korea

(111) No. M/1774335

(180) 16/02/2033

(540) Madrid Registration

**BRILLIANT**

(511)

(210) No. M/1774362

(220) 31/07/2023

(732) Euro Games Technology Ltd.

4, "Maritsa" Str., "Vranya-Lozen-Triugulnika"

BG-1151 Sofia, Bulgaria

(111) No. M/1774362

(180) 31/07/2033

(540) Madrid Registration



(511)

(210) No. M/1774490

(220) 08/01/2024

(732) b.box for kids developments Pty Ltd

SE 301 1 Acacia Pl Notting Hill VIC 3168,

Australia

(111) No. M/1774490

(180) 08/01/2034

(540) Madrid Registration



(511)

(210) No. M/1774528

(220) 27/09/2023

(732) GSM Green and Smart Mobility Joint Stock  
Company

Symphony Office Tower, Chu Huy Man

Street, Vinhomes Riverside Urban Area, Phuc

Loi Ward, Long Bien District Hanoi City,

Vietnam

(111) No. M/1774528

(180) 27/09/2033

(540) Madrid Registration

**Y-TRAC**

(511)

(210) No. M/1774591

(220) 22/09/2023

(732) YAMAHA HATSUDOKI KABUSHIKI

KAISHA

2500 Shingai, Iwata-shi Shizuoka-ken

438-8501, Japan

(111) No. M/1774591

(180) 22/09/2033

(540) Madrid Registration

**VICOVI**

(511)

(210) No. M/1774701

(220) 06/09/2023

(732) Yiwu Pangxue Plastic Co., Ltd

1st Floor, 1235 Chengxin Avenue, Yidong

Industrial Park, Nianshanli Street, Yiwu City

Zhejiang Province, China

(111) No. M/1774701

(180) 06/09/2033

(540) Madrid Registration



(511)

(210) No. M/1774801

(220) 07/12/2023

(732) REMINISCENCE PRODUCTION ET  
DIFFUSION

37 rue d'Antibes F-06400 Cannes, France

(111) No. M/1774801

(180) 07/12/2033

(540) Madrid Registration

**YRC Settings**

(511)

(210) No. M/1774855

(220) 22/09/2023

(732) YAMAHA HATSUDOKI KABUSHIKI  
KAISHA

2500 Shingai, Iwata-shi Shizuoka-ken

438-8501, Japan

(111) No. M/1774855

(180) 22/09/2033

(540) Madrid Registration

**YOMARO**

(511)

(210) No. M/1774872

(220) 17/11/2023

(732) Yomaro Freundeskreis GmbH & Co. KG

Karl-Anton-Straße 16 40211 Düsseldorf,

Germany

(111) No. M/1774872

(180) 17/11/2033

(540) Madrid Registration

**OCCA**

(511)

(210) No. M/1775017

(220) 08/09/2023

(732) GUANGDONG SINGWEAR GARMENTS  
CO., LTD.

XIANGANG INDUSTRIAL PARK,

SIMAPU TOWN, CHAONAN DISTRICT,

SHANTOU CITY GUANGDONG

PROVINCE, CHINA

(111) No. M/1775017

(180) 08/09/2033

(540) Madrid Registration

**BYD DOLPHIN MINI**

(511)

(210) No. M/1775021

(220) 05/12/2023

(732) BYD COMPANY LIMITED

No. 1, Yan'an Road, Kuichong Street,  
Dapeng New District, Shenzhen Guangdong,  
China

(111) No. M/1775021

(180) 05/12/2033

(540) Madrid Registration

**东方甄选**

(511)

(210) No. M/1775112

(220) 18/01/2023

(732) Beijing New Oriental Xuncheng Network

Technology Co., Ltd  
Room 1801-08, Floor 18, No. 2, Haidian East  
Third Street, Haidian District Beijing, China

(111) No. M/1775112

(180) 18/01/2033

(540) Madrid Registration

**6x5 Flaming Shots**

(511)

(210) No. M/1775335

(220) 13/09/2023

(732) EGT DIGITAL LTD.

6, "Panorama Sofia" Str., Business Center

"Richhill", block A BG-1766 Sofia, Bulgaria

(111) No. M/1775335

(180) 13/09/2033

(540) Madrid Registration

 Purcotton

(511)

(210) No. M/1775350

(220) 22/09/2023

(732) Shenzhen Purcotton Technology Co., Ltd.

No. 660 Bulong Road, Longhua Street,

Longhua District, Shenzhen 518110

Guangdong, China

(111) No. M/1775350

(180) 22/09/2033

(540) Madrid Registration



(511)

(210) No. M/1775351

(220) 22/09/2023

(732) Shenzhen Purcotton Technology Co., Ltd.

Winner Industrial Park, No. 660 Bulong

Road, Longhua Street, Longhua New District,

Shenzhen 518110 Guangdong, China

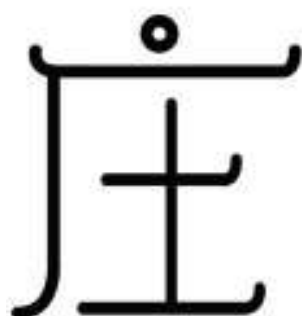
(111) No. M/1775351

(180) 22/09/2023

(540) Madrid Registration



TANGZHUANG



(511)

(210) No. M/1775399

(220) 31/10/2023

(732) Guizhou Tangzhuang Brewing Co., Ltd.

Group 10 of Yantan Village, Maotai Town,

Renhuai, Zunyi City Guizhou Province, China

(111) No. M/1775399

(180) 31/10/2023



(540) Madrid Registration

## **6x5 Juicy Shots**

(511)

(210) No. M/1775514

(220) 13/09/2023

(732) EGT DIGITAL LTD.

6, "Panorama Sofia" Str., Business Center

"Richhill", block A BG-1766 Sofia, Bulgaria

(111) No. M/1775514

(180) 13/09/2033

(540) Madrid Registration

## **6x5 Fruity Shots**

(511)

(210) No. M/1775526

(220) 13/09/2023

(732) EGT DIGITAL LTD.

6, "Panorama Sofia" Str., Business Center

"Richhill", block A BG-1766 Sofia, Bulgaria

(111) No. M/1775526

(180) 13/09/2033

(540) Madrid Registration



(511)

(210) No. M/1775529

(220) 21/09/2023

(732) ARISE IIP INDIA PRIVATE LIMITED

1010, Indra Prakash, 21 Barakhamba Road

New Delhi 110001, India

(111) No. M/1775529

(180) 21/09/2033

(540) Madrid Registration

**MEDOPTIMIZE**

(511)

(210) No. M/1775757

(220) 21/09/2023

(732) MedImpact Healthcare Systems, Inc.

10181 Scripps Gateway Court San Diego CA

92131, United States of America

(111) No. M/1775757

(180) 21/09/2033

(540) Madrid Registration

**IGOLSAILING**

(511)

(210) No. M/1775811

(220) 10/11/2023

(732) IGOL FRANCE

614 rue de Cagny F-80090 Amiens, France

(111) No. M/1775811

(180) 10/11/2033

(540) Madrid Registration

 **BLOSSOM HOUSE**

(511)

(210) No. M/1775955

(220) 12/01/2024

(732) H WORLD HOLDINGS SINGAPORE PTE.  
LTD.

11 PENANG LANE, JI HOTEL ORCHARD  
SINGAPORE SINGAPORE 238485

(111) No. M/1775955

(180) 12/01/2034

(540) Madrid Registration



(511)

(210) No. M/1776056

(220) 14/10/2023

(732) ZHEJIANG GEELY HOLDING GROUP  
CO., LTD.

1760 JIANGLING ROAD, BINJIANG  
DISTRICT, HANGZHOU ZHEJIANG,  
CHINA

(111) No. M/1776056

(180) 14/10/2033

(540) Madrid Registration



(511)

(210) No. M/1776344

(220) 13/09/2023

(732) Zhejiang Xile Industry Co., Ltd.

No. 577, Gaoxin West 2nd Road, Tongxiang  
Economic Development Zone, Tongxiang  
City, Jiaxing City Zhejiang Province, China

(111) No. M/1776344

(180) 13/09/2033

(540) Madrid Registration



(511)

(210) No. M/1776433

(220) 31/08/2023

(732) Guangxi Double Coins Health Industry Co.,  
Ltd.

No.1 Industrial Avenue, Industrial Park,  
Wuzhou Guangxi, China

(111) No. M/1776433

(180) 31/08/2033

(540) Madrid Registration

**MNTLKIDS**

(511)

(210) No. M/1776705

(220) 27/12/2023

(732) Niu Yabing

Room 25-2-101, Yue'an Jiafu, Dingqiao,  
Shangcheng District, Hangzhou City 310000  
Zhejiang, China

(111) No. M/1776705

(180) 27/12/2033

(540) Madrid Registration

**Magic Capsule**

(511)

(210) No. M/1776806

(220) 19/01/2024

(732) Honor Device Co., Ltd.

Suite 3401, Unit A, Building 6, Shum Yip Sky  
Park, No. 8089, Hongli West Road, Xiangmihu  
Street, Futian District, Shenzhen 518040  
Guangdong, China

(111) No. M/1776806

(180) 19/01/2034

(540) Madrid Registration

**Riches Touch**

(511)

(210) No. M/1776853

(220) 19/09/2023

(732) Euro Games Technology Ltd.

4, "Maritsa" Str., "Vranya-Lozen-Triugulnika"  
BG-1151 Sofia, Bulgaria

(111) No. M/1776853

(180) 19/09/2033

(540) Madrid Registration

**Cleopatra's Legacy**

(511)

(210) No. M/1776913

(220) 19/09/2023

(732) Euro Games Technology Ltd.

4, "Maritsa" Str., "Vranya-Lozen-Triugulnika"

BG-1151 Sofia, Bulgaria

(111) No. M/1776913

(180) 19/09/2033

(540) Madrid Registration



(511)

(210) No. M/1777147

(220) 26/09/2023

(732) Euro Games Technology Ltd.

4, "Maritsa" Str., "Vranya-Lozen-

Triugulnika" BG-1151 Sofia, Bulgaria

(111) No. M/1777147

(180) 26/09/2033

(540) Madrid Registration

**TAMRISA**

(511)

(210) No. M/1777196

(220) 12/01/2024

(732) Antibiolabs

10 boulevard Emile Augier F-75116 Paris,  
France

(111) No. M/1777196

(180) 12/01/2034

(540) Madrid Registration

**Mouthful Creations**

(511)

(210) No. M/1777332

(220) 11/10/2023

(732) NISSEI KABUSHIKI KAISHA

1-1-47, Unobe, Ibaraki-shi Osaka 567-0042,  
Japan

(111) No. M/1777332

(180) 11/10/2033



(540) Madrid Registration



(511)

(210) No. M/1777546

(220) 07/12/2023

(732) FUCHS SE

Einsteinstraße 11 68169 Mannheim, Germany

(111) No. M/1777546

(180) 07/12/2033

(540) Madrid Registration

**Selectel**

(511)

(210) No. M/1777681

(220) 04/10/2023

(732) JSC "Selectel"

Tsvetochnaya Street, 21, liter A RU-196006

Saint Petersburg, Russian Federation

(111) No. M/1777681

(180) 04/10/2033

(540) Madrid Registration



(511)

(210) No. M/1777690

(220) 26/09/2023

(732) Euro Games Technology Ltd.

4, "Maritsa" Str., "Vranya-Lozen-

Triugulnika" BG-1151 Sofia, Bulgaria

(111) No. M/1777690

(180) 26/09/2033

(540) Madrid Registration



(511)

(210) No. M/1777799

(220) 26/09/2023

(732) Euro Games Technology Ltd.

4, "Maritsa" Str., "Vranya-Lozen-

Triugulnika" BG-1151 Sofia, Bulgaria

(111) No. M/1777799

(180) 26/09/2033

(540) Madrid Registration

**Parallel Space**

(511)

(210) No. M/1778066

(220) 18/12/2023

(732) Baoding Huanhao Miaozi Network

Technology Co., Ltd.

2011, Block E, Shanggu Dagan, Huibo, 2238

Chaoyang North Road, Hi-Tech Development

District, Baoding Hebei, China

(111) No. M/1778066

(180) 18/12/2033

(540) Madrid Registration

**MANSI**

(511)

(210) No. M/1778082

(220) 09/10/2023

(732) Manxi (Shandong) Cosmetics Co., Ltd.

4027, 4th Floor, Building 4, Shuangchuang

Base, No. 7888 Jingshi East Road,

Shuangshan Street, Zhangqiu District, Jinan

City 250200 Shandong Province, China

(111) No. M/1778082

(180) 09/10/2033

(540) Madrid Registration

The logo consists of the letters 'LK-99' in a bold, blue, sans-serif font. The 'L' and 'K' are connected, and the '99' is slightly larger and positioned to the right of the 'K'.

(511)

(210) No. M/1778175

(220) 04/10/2023

(732) Quantum Energy Research Centre (Q-centre)

(Garak-dong)B1, 46-24 Songi-ro 23-gil,

Songpa-gu Seoul 05822, Republic of Korea

(111) No. M/1778175

(180) 04/10/2033

(540) Madrid Registration

The logo features a stylized heart shape formed by a thick, golden-brown line. Inside the heart, the words 'Quality at heart' are written in a golden-brown, sans-serif font. Below the heart, the word 'FERRERO' is written in a bold, dark brown, sans-serif font.

(511)

(210) No. M/1778266

(220) 01/02/2024

(732) FERRERO INTERNATIONAL S.A.

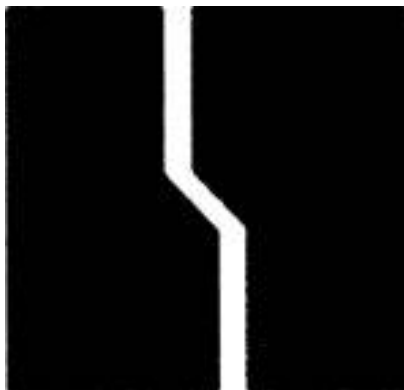
16, Route de Trèves L-2633 Senningerberg,

Luxembourg

(111) No. M/1778266

(180) 01/02/2034

(540) Madrid Registration



(511)

(210) No. M/1778275

(220) 25/09/2023

(732) ZHEJIANG GEELY HOLDING GROUP  
CO., LTD.

1760 JIANGLING ROAD, BINJIANG  
DISTRICT, HANGZHOU ZHEJIANG,  
CHINA

(111) No. M/1778275

(180) 25/09/2033

(540) Madrid Registration

**ULTRAPASS**

(511)

(210) No. M/1778506

(220) 02/02/2024

(732) Amphenol Corporation

358 Hall Avenue Wallingford CT 06492,  
United States of America

(111) No. M/1778506

(180) 02/02/2034

(540) Madrid Registration



(511)

(210) No. M/1642959

(220) 02/11/2023

(732) SHANGHAI M&G STATIONERY INC.

Building 3, No. 3469, Jinqian Road, Fengxian  
District 200000 Shanghai, China

(111) No. M/1642959

(180) 30/11/2031

(540) Madrid Registration

**FANCY**

(511)

(210) No. M/1728316

(220) 08/11/2023

(732) Fancy Pump (Zhejiang) Co., Ltd.

Room 1002, Building 2, Chuangye Building,  
No. 1333 Wanchang Middle Road,  
Chengdong Street, Wenling City, Taizhou  
City 317500 Zhejiang Province, China

(111) No. M/1728316

(180) 21/02/2033

(540) Madrid Registration



(511)

(210) No. M/1773161

(220) 07/11/2023

(732) FLOAT PRIVATE LIMITED

5 JALAN KILANG BARAT, #01-05 PETRO  
CENTRE SINGAPORE 159349

(111) No. M/1773161

(180) 07/11/2033

(540) Madrid Registration



(511)

(210) No. M/1773518

(220) 18/10/2023

(732) Khomenko Valerii Hryhorovych

Makiivska, 11, apt. 8 Donetsk 83031, Ukraine

(111) No. M/1773518

(180) 18/10/2033

(540) Madrid Registration

**bumas**

(511)

(210) No. M/1773544

(220) 27/10/2023

(732) BUMAS COMPANY LIMITED

No. 1, Alley 247/211, Khuong Trung street,

Khuong Dinh ward, Thanh Xuan district

Ha Noi city, Vietnam

(111) No. M/1773544

(180) 27/10/2033

(540) Madrid Registration

**Four Pride**

(511)

(210) No. M/1773884

(220) 11/01/2024

(732) FOUR PRIDE PTE. LTD.

10 ANSON ROAD, #17-20

INTERNATIONAL PLAZA SINGAPORE

079903

(111) No. M/1773884

(180) 11/01/2034



(540) Madrid Registration

**GUANY**

(511)

(210) No. M/1774147

(220) 23/10/2023

(732) Changzhou High-Tech Industry Development

Zone Sanwei Industrial Technology Research

Instit Co., Ltd.

Unit 454, 456, 469, 471, Xinbei District

Entrepreneurship Center Second Base,

Changzhou City 213002 Jiangsu Province,

China

(111) No. M/1774147

(180) 23/10/2033

(540) Madrid Registration

**OutPro**

(511)

(210) No. M/1774148

(220) 10/10/2023

(732) Guangzhou Dehengqinxin Industrial

Operation Management Co., Ltd.

Shop A116, Huayuan Commercial Market,

Nanji Lane, East of Huadi Avenue, Fangcun,

Liwan District, Guangzhou City Guangdong

Province, China

(111) No. M/1774148

(180) 10/10/2033

(540) Madrid Registration

**DOKMA**

(511)

(210) No. M/1774446

(220) 10/11/2023

(732) DOKMA TEXTILE COMPANY LIMITED

No. 13, Lane 20 Truong Dinh, Truong Dinh  
Ward, Hai Ba Trung District Hanoi City,  
Vietnam

(111) No. M/1774446

(180) 10/11/2033

(540) Madrid Registration



(511)

(210) No. M/1774667

(220) 16/11/2023

(732) NOBLEWOOD LIMITED

Arch. Makariou III, 206, CHRYSALIA  
COURT, 5TH Floor CY-3030 Limassol,  
Cyprus

(111) No. M/1774667

(180) 16/11/2033

(540) Madrid Registration

**LOLANE**

(511)

(210) No. M/1774899

(220) 02/11/2023

(732) Mr. Seri Somboonsakdikul

38 Soi Lasalle 77, Bangna Bangna, Bangkok  
10260, Thailand

(111) No. M/1774899

(180) 02/11/2033

(540) Madrid Registration



(511)

(210) No. M/1775006

(220) 25/10/2023

(732) WeFood Brand Management (Shanghai)

Co.,Ltd

Room 301, 3F, Building 1, 151 Daxiu Road,  
Pudong Shanghai, China

(111) No. M/1775006

(180) 25/10/2033

(540) Madrid Registration



(511)

(210) No. M/1775089

(220) 20/11/2023

(732) STAVROS MITSIS SINGLE MEMBER

P.C.; CHRISTINA MITSI SINGLE

MEMBER P.C. AND EYGENIA MITSI

SINGLE MEMBER P.C.

FILOTHEIS 12 STREET, GALATSI GR-

111 47 ATHENS, GREECE; FILOTHEIS 12

STREET, GALATSI GR-111 47 ATHENS,

GREECE AND FILOTHEIS 12 STREET,

GALATSI GR-111 47 ATHENS, GREECE

(111) No. M/1775089

(180) 20/11/2033

(540) Madrid Registration



(511)

(210) No. M/1775400

(220) 17/11/2023

(732) Hangzhou Yaobao Infant Products Co., Ltd.

14th Floor, Building 1, Xiaoshan Agricultural

Building, Ningwei Street, Xiaoshan District,

Hangzhou City Zhejiang province, China

(111) No. M/1775400

(180) 17/11/2033

(540) Madrid Registration

TERAFLEX

(511)

(210) No. M/1775421

(220) 09/11/2023

(732) Yuanxin Tyre Co., Ltd.

Residence Of Chen'guan Town Government,  
Guangrao County, Dongying Shandong,  
China

(111) No. M/1775421

(180) 09/11/2033

(540) Madrid Registration

米景  
MIJING

(511)

(210) No. M/1775429

(220) 03/11/2023

(732) Li Nanji

Room 8D, Building B, Deming Tower, Tiyu  
Road, Dali, Nanhai District, Foshan City  
528200 Guangdong Province, China

(111) No. M/1775429

(180) 03/11/2033

(540) Madrid Registration

CREATE YOUR OWN STORY

(511)

(210) No. M/1775475

(220) 14/11/2023

(732) K. MITSIS FILOXENIA S.A.

FILOTHEIS 12 STREET, GALATSI GR-111

47 ATHENS, GREECE

(111) No. M/1775475

(180) 14/11/2033

(540) Madrid Registration



(511)

(210) No. M/1775665

(220) 02/11/2023

(732) PT Siantar Madju

Warugunung 42 RT. 001 RW. 002 Kelurahan

Warugunung Kecamatan Karangpilang Kota

Surabaya, Kota Surabaya Jawa Timur 60221,

Indonesia

(111) No. M/1775665

(180) 02/11/2033

(540) Madrid Registration



(511)

(210) No. M/1776197

(220) 30/10/2023

(732) C98 COMPANY LIMITED

No. 2 Truong Quoc Dung, Ward 08, Phu

Nhuan District Ho Chi Minh City, Vietnam

(111) No. M/1776197

(180) 30/10/2033

(540) Madrid Registration



(511)

(210) No. M/1776199

(220) 02/11/2023

(732) Mr. Seri Somboonsakdikul

38 Soi Lasalle 77, Bangna Bangna, Bangkok

10260, Thailand

(111) No. M/1776199

(180) 02/11/2033

(540) Madrid Registration



(511)

(210) No. M/1777116

(220) 19/10/2023

(732) C98 COMPANY LIMITED

No. 2 Truong Quoc Dung, Ward 08, Phu

Nhuan District Ho Chi Minh City, Vietnam

(111) No. M/1777116

(180) 19/10/2033

(540) Madrid Registration



(511)

(210) No. M/1777628

(220) 24/01/2024

(732) Kia Corporation

12, Heolleung-ro, Seocho-gu Seoul 06797,

Republic of Korea

(111) No. M/1777628

(180) 24/01/2034



(540) Madrid Registration

**EVZ Air**

(511)

(210) No. M/1777629

(220) 24/01/2024

(732) Kia Corporation

12, Heolleung-ro, Seocho-gu Seoul 06797,

Republic of Korea

(111) No. M/1777629

(180) 24/01/2034

(540) Madrid Registration

**EV1 Earth**

(511)

(210) No. M/1777633

(220) 24/01/2024

(732) Kia Corporation

12, Heolleung-ro, Seocho-gu Seoul 06797,

Republic of Korea

(111) No. M/1777633

(180) 24/01/2034

(540) Madrid Registration

**EVZ Earth**

(511)

(210) No. M/1777634

(220) 24/01/2024

(732) Kia Corporation

12, Heolleung-ro, Seocho-gu Seoul 06797,

Republic of Korea

(111) No. M/1777634

(180) 24/01/2034

(540) Madrid Registration

**EVZ Water**

(511)

(210) No. M/1777635

(220) 24/01/2024

(732) Kia Corporation

12, Heolleung-ro, Seocho-gu Seoul 06797,

Republic of Korea

(111) No. M/1777635

(180) 24/01/2034

(540) Madrid Registration

**EV1 Light**

(511)

(210) No. M/1777636

(220) 24/01/2024

(732) Kia Corporation

12, Heolleung-ro, Seocho-gu Seoul 06797,

Republic of Korea

(111) No. M/1777636

(180) 24/01/2034

(540) Madrid Registration

**EV3 Water**

(511)

(210) No. M/1777637

(220) 24/01/2024

(732) Kia Corporation

12, Heolleung-ro, Seocho-gu Seoul 06797,

Republic of Korea

(111) No. M/1777637

(180) 24/01/2034

(540) Madrid Registration

**EV5 Light**

(511)

(210) No. M/1777638

(220) 24/01/2024

(732) Kia Corporation

12, Heolleung-ro, Seocho-gu Seoul 06797,

Republic of Korea

(111) No. M/1777638

(180) 24/01/2034

(540) Madrid Registration

**EV7 Light**

(511)

(210) No. M/1777639

(220) 24/01/2024

(732) Kia Corporation

12, Heolleung-ro, Seocho-gu Seoul 06797,

Republic of Korea

(111) No. M/1777639

(180) 24/01/2034

(540) Madrid Registration

**EV8 Light**

(511)

(210) No. M/1777640

(220) 24/01/2024

(732) Kia Corporation

12, Heolleung-ro, Seocho-gu Seoul 06797,

Republic of Korea

(111) No. M/1777640

(180) 24/01/2034

(540) Madrid Registration

**EV5 Earth**

(511)

(210) No. M/1777762

(220) 24/01/2024

(732) Kia Corporation

12, Heolleung-ro, Seocho-gu Seoul 06797,

Republic of Korea

(111) No. M/1777762

(180) 24/01/2034

(540) Madrid Registration

**EV7 Earth**

(511)

(210) No. M/1777763

(220) 24/01/2024

(732) Kia Corporation

12, Heolleung-ro, Seocho-gu Seoul 06797,

Republic of Korea

(111) No. M/1777763

(180) 24/01/2034

(540) Madrid Registration

**EV8 Earth**

(511)

(210) No. M/1777764

(220) 24/01/2024

(732) Kia Corporation

12, Heolleung-ro, Seocho-gu Seoul 06797,

Republic of Korea

(111) No. M/1777764

(180) 24/01/2034

(540) Madrid Registration

**EV1 Water**

(511)

(210) No. M/1777765

(220) 24/01/2024

(732) Kia Corporation

12, Heolleung-ro, Seocho-gu Seoul 06797,

Republic of Korea

(111) No. M/1777765

(180) 24/01/2034

(540) Madrid Registration

**EV7 Water**

(511)

(210) No. M/1777766

(220) 24/01/2024

(732) Kia Corporation

12, Heolleung-ro, Seocho-gu Seoul 06797,

Republic of Korea

(111) No. M/1777766

(180) 24/01/2034

(540) Madrid Registration

Glueasy

(511)

(210) No. M/1777888

(220) 23/11/2023

(732) Shanghai Zhongxing Enterprise Management

Center (Limited Partnership)

Room 5050, Building 3, No. 201, Aihui

Road, Baoshan District 201900 Shanghai

City, China

(111) No. M/1777888

(180) 23/11/2033

(540) Madrid Registration

**OHERZIO**

(511)

(210) No. M/1778551

(220) 09/01/2024

(732) BioNTech SE

An der Goldgrube 12 55131 Mainz, Germany

(111) No. M/1778551

(180) 09/01/2034



(540) Madrid Registration

**OHERZYO**

(511)

(210) No. M/1778552

(220) 09/01/2024

(732) BioNTech SE

An der Goldgrube 12 55131 Mainz, Germany

(111) No. M/1778552

(180) 09/01/2034

(540) Madrid Registration

**ADCHERLO**

(511)

(210) No. M/1778553

(220) 09/01/2024

(732) BioNTech SE

An der Goldgrube 12 55131 Mainz, Germany

(111) No. M/1778553

(180) 09/01/2034

## ພາກທີ IV

### (Part IV)

#### ເຄື່ອງໝາຍການຄ້າຜ່ານລະບົບມາດຣິດ

### Trademarks via Madrid Protocol

#### 3. ຜົນການຕໍ່ອາຍຸ

#### (Renewal)

##### ຄໍາອະທິບາຍກ່ຽວກັບລະຫັດຫຍໍ້

##### (Introduction of Codes)

- (540) ເຄື່ອງໝາຍການຄ້າ (Trademark)
- (511) ໝວດ (Nice Classification)
- (210) ເລກທີ ຄໍາຮ້ອງ (Number of the application)
- (220) ວັນທີ ຍື່ນຄໍາຮ້ອງ (Date of filing of the application)
- (732) ຊື່ ແລະ ທີ່ຢູ່ ຂອງຜູ້ຍື່ນຄໍາຮ້ອງ (Name and Address of applicant)
- (111) ເລກທີການຈົດທະບຽນເຄື່ອງໝາຍການຄ້າ (Number of the registration)
- (180) ການຕໍ່ອາຍຸຂອງການຈົດທະບຽນ (Expiration date of the renewal)

**ພາກທີ IV**

**(Part IV)**

**ເຄື່ອງໝາຍການຄ້າຜ່ານລະບົບມາດຣິດ**

**Trademarks via Madrid Protocol**

**4. ການປ່ຽນແປງ**

**(Changes)**

**ພາກທີ IV**

**(Part IV)**

**ເຄື່ອງໝາຍການຄ້າຜ່ານລະບົບມາດຣິດ**

**Trademarks via Madrid Protocol**

**5. ການດັດແກ້**

**(Amendments)**

ພາກທີ V  
(Part V)  
ຖິ່ນກຳເນີດ  
**Geographical Indications**

1. ຄຳຮ້ອງ  
(Applications)

ພາກທີ V  
(Part V)  
ຖິ່ນກຳເນີດ  
**Geographical Indications**

2. ຜົນການຈົດທະບຽນ  
(Registration)

ພາກທີ V  
(Part V)  
ຖິ່ນກຳເນີດ  
**Geographical Indications**

2.1 ຜົນການຈົດທະບຽນ ຜ່ານລະບົບສາກົນ  
(Lisbon Registration)

ພາກທີ V

(Part V)

ຖິ່ນກຳເນີດ

**Geographical Indications**

2.2 ຜົນການຈົດທະບຽນ ຊື່ຖິ່ນກຳເນີດສະເພາະ ຜ່ານລະບົບສາກົນ

**(Lisbon Appellation of Origin Registration)**



**ພາກທີ V**

**(Part V)**

**ຖິ່ນກຳເນີດ**

**Geographical Indications**

**3. ການປ່ຽນແປງ**

**(Changes)**

**ພາກທີ V**  
**(Part V)**  
**ຖິ່ນກຳເນີດ**  
**Geographical Indications**

**4. ການດັດແກ້**  
**(Amendments)**

**ພາກທີ VI**

**(Part VI)**

**ພັນພືດໃໝ່**

**New Plant Varieties**

**1. ຄໍາຮ້ອງ**

**(Applications)**

**ພາກທີ VI**

**(Part VI)**

**ພັນພືດໃໝ່**

**New Plant Varieties**

**2. ຜົນການຈັດທະບຽນ**

**(Registration)**

**ພາກທີ VI**

**(Part VI)**

**ພັນພືດໃໝ່**

**New Plant Varieties**

**3. ການປ່ຽນແປງ**

**(Changes)**

**ພາກທີ VI**

**(Part VI)**

**ພັນພືດໃໝ່**

**New Plant Varieties**

**4. ການດັດແກ້**

**(Amendments)**

**ພາກທີ VII**

**(Part VII)**

**ລິຂະສິດ ແລະ ສິດກ່ຽວຂ້ອງກັບລິຂະສິດ**

**Copyrights and Related Rights**

**1. ການແຈ້ງຂໍ້ມູນ**

**(Notifications)**

**ພາກທີ VII**

**(Part VII)**

**ລິຂະສິດ ແລະ ສິດກ່ຽວຂ້ອງກັບລິຂະສິດ**

**Copyrights and Related Rights**

**2. ການປ່ຽນແປງ**

**(Changes)**



**ພາກທີ VIII**

**(Part VIII)**

**ການແກ້ໄຂຂໍ້ຂັດແຍ່ງທາງດ້ານບໍລິຫານກ່ຽວກັບການຈັດທະບຽນຊັບ  
ສິນອຸດສາຫະກຳ ແລະ ພັນພືດໃໝ່**

**Administrative Dispute Resolutions on the Registration of  
Industrial Property and New Plant Varieties**

**1. ຜົນການຄັດຄ້ານຄຳຮ້ອງ**

**(Result of Oppositions)**

**ພາກທີ VIII**

**(Part VIII)**

**ການແກ້ໄຂຂໍ້ຂັດແຍ່ງທາງດ້ານບໍລິຫານກ່ຽວກັບການຈັດທະບຽນຊັບ  
ສິນອຸດສາຫະກຳ ແລະ ພັນພືດໃໝ່**

**Administrative Dispute Resolutions on the Registration of  
Industrial Property and New Plant Varieties**

**2. ຜົນການແຈ້ງປະຕິເສດ**

**(Result of Refusals)**

**ພາກທີ VIII**

**(Part VIII)**

**ການແກ້ໄຂຂໍ້ຂັດແຍ່ງທາງດ້ານບໍລິຫານກ່ຽວກັບການຈັດທະບຽນຊັບ  
ສິນອຸດສາຫະກຳ ແລະ ພັນພືດໃໝ່**

**Administrative Dispute Resolutions on the Registration of  
Industrial Property and New Plant Varieties**

**3. ຜົນການຍົກເລີກ ຫຼື ລົບລ້າງ ຂອງການຈັດທະບຽນ  
(Result of Cancellation or Invalidation of Registration)**