



ສາທາລະນະລັດ ປະຊາທິປະໄຕ ປະຊາຊົນລາວ  
LAO PEOPLE'S DEMOCRATIC REPUBLIC

ກະຊວງ ອຸດສາຫະກຳ ແລະ ການຄ້າ  
ກົມຊັບສິນທາງປັນຍາ  
MINISTRY OF INDUSTRY AND COMMERCE  
DEPARTMENT OF INTELLECTUAL PROPERTY

ຈົດໝາຍເຫດທາງລັດຖະການ  
ກ່ຽວກັບ ຊັບສິນທາງປັນຍາ  
ຢູ່ ສປປ ລາວ

OFFICIAL GAZETTE ON INTELLECTUAL PROPERTY  
IN LAO PDR

# ພາກທີ I

## (Part I)

### ສິດທິບັດ ແລະ ອະນຸສິດທິບັດ (Patent and Petty Patent)

#### 1. ຄໍາຮ້ອງ (Applications)

##### ຄໍາອະທິບາຍກ່ຽວກັບລະຫັດຫຍໍ້ (Introduction of Codes)

- (21) ເລກທີ ຄໍາຮ້ອງ (Filing Number)
- (22) ວັນທີ ຍືນຄໍາຮ້ອງ (Filing Date)
- (30) ວັນທີ ບຸລິມະສິດ (Priority Date)
- (43) ວັນທີເຜີຍແຜ່ (Publication Date)
- (51) ໝວດ (International Patent Classification)
- (54) ຊື່ຂອງການປະດິດ (Title)
- (57) ບົດຄັດຫຍໍ້ (Abstract)
- (71) ຊື່ ແລະ ທີ່ຢູ່ ເຈົ້າຂອງສິດທິບັດ ແລະ ອະນຸສິດທິບັດ (Owner Name and Address)
- (72) ຊື່ຜູ້ປະດິດ (Inventor Name)
- (74) ຊື່ຕົວແທນ (Representative Name)
- (55) ຮູບພາບ (Pictures)

# ພາກທີ I

## (Part I)

### ສິດທິບັດ ແລະ ອະນຸສິດທິບັດ (Patent and Petty Patent)

#### 2. ຜົນການອອກສິດທິບັດ ແລະ ອະນຸສິດທິບັດ (Grant of Patents and Petty Patents)

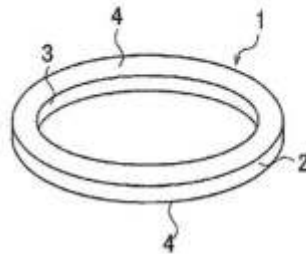
##### ຄຳອະທິບາຍກ່ຽວກັບລະຫັດຫຍໍ້

##### (Introduction of Codes)

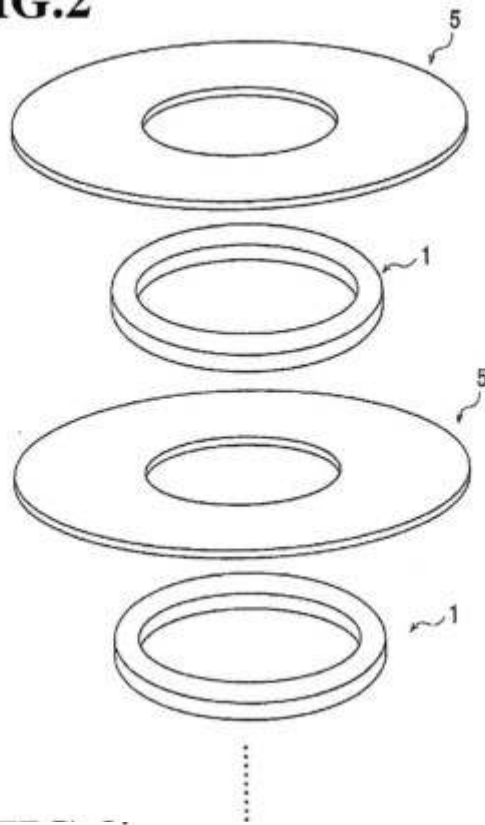
- (11) ເລກທິ (Grant Number)
- (21) ເລກທິ ຄຳຮ້ອງ (Filing Number)
- (22) ວັນທິຍືນຄຳຮ້ອງ (Filing Date)
- (30) ວັນທິ ບຸລິມະສິດ (Priority Date)
- (43) ວັນທິເຜີຍແຜ່ (Publication Date)
- (51) ໝວດ (International Patent Classification)
- (54) ຫົວຂໍ້ການປະດິດ (Title)
- (57) ບົດຄັດຫຍໍ້ (Abstract)
- (71) ຊື່ ແລະ ທີ່ຢູ່ ເຈົ້າຂອງສິດທິບັດ ແລະ ອະນຸສິດທິບັດ (Owner Name and Address)
- (72) ຊື່ຜູ້ປະດິດ (Inventor Name)
- (74) ຊື່ຕົວແທນ (Representative Name)
- (55) ຮູບພາບ (Pictures)

- (11) No. 839
- (21) PA 839
- (22) 27/07/2022
- (30)
- (43)
- (51) Int.Cl.G 11B 17/038(2006.01), G 11B 5/65(2006.01), G 11B 25/04(2006.01), G 11B 23/00(2006.01)
- (54) Glass Spacer and Hard Disc Drive Device
- (57) In order to suppress the occurrence of adhesion between magnetic disks and spacers when the magnetic disks and the spacers are removed from a hard disk drive apparatus in which the magnetic disks and the spacers are installed, a surface roughness Ra of a main surface of a ring-shaped glass spacer to be arranged in contact with a magnetic disk is set to be not larger than 1.0 pm, and an average inclination RAa of the main surface is set to be at least 0.02.
- (71) HOYA CORPORATION  
6-1 0- 1 Nishi-Shinjuku, Shinjuku-ku, Tokyo 1608347, Japan
- (72) EDA, Shinji and TAKANO Masao.
- (74) Tilleke & Gibbins International Ltd.
- (55)

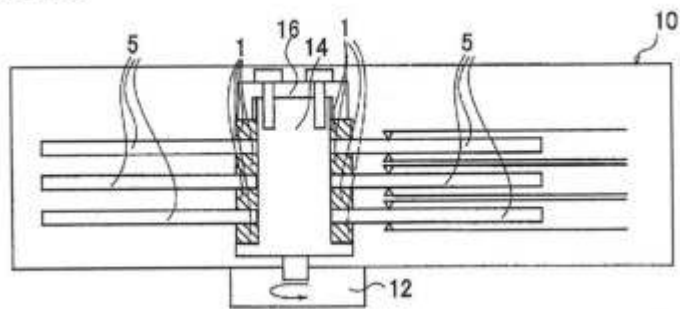
**FIG.1**



**FIG.2**



**FIG.3**



**FIG.4**



- (11) No. 87
- (21) PP 87
- (22) 27/06/2022
- (30)
- (43)
- (51) Int.Cl.
- (54) ຮ່າງຄົງທີ່ນອກດູກ KFIX (Khammoune Fixator)
- (57) ການປະດິດນີ້ກ່ຽວກັບການຄົງທີ່ນອກກະດູກ Kfix ແມ່ນຮ່າງຄົງທີ່ນອກກະດູກທີ່ກະທັດຫັດ, ຄົງທີ່ດູກຫັກໄດ້ແໜ້ນແກ່ນ ແລະ ມີຄວາມສະຫຼາດໃນໂຕ, ນຳໃຊ້ເຂົ້າໃນການປິ່ນປົວກະດູກຫັກເປີດສັບສິນ ຜິເສດປິ່ນປົວ ກໍລະນີຫັກເປີດສູນເສຍດູກ ເຫັນວ່າມີຄວາມປອດໄພສູງ ແລະ ເປັນວິທີການທີ່ດີ, ການນຳໃຊ້ວິທີການດັ່ງກ່າວບໍ່ມີຄວາມ ຫຼຸ້ຍຫຼາຍ, ເປັນອຸປະກອນກະກຽມໄວ້ເມື່ອເກີດມີດູກຫັກເປີດ ມາຢ່າງຫຼວງຫລາຍ ຍ້ອນໄພຜິບັດຕ່າງໆ ແລະ ທັງເປັນ ອຸປະກອນກຽມພ້ອມເພື່ອປິ່ນປົວໃນໂຮງໝໍພາກສະໜາມ ເມື່ອເກີດໄພສິງຄາມ.
- (71) ທ່ານ ຄຳມູນ ສິມຕະກຸນ, ບ້ານ ໂພນປ່າເປົ້າ, ເມືອງສີສັດຕະນາກ, ນະຄອນຫຼວງ, ສປປ ລາວ
- (72)
- (74)
- (55)

**ພາກທີ I**

**(Part I)**

**ສິດທິບັດ ແລະ ອະນຸສິດທິບັດ**

**(Patent and Petty Patent)**

**3. ການປ່ຽນແປງ**

**(Changes)**



**ພາກທີ I**

**(Part I)**

**ສິດທິບັດ ແລະ ອະນຸສິດທິບັດ**

**(Patent and Petty Patent)**

**4. ການດັດແກ້**

**(Amendments)**

**ພາກທີ II**  
**(Part II)**  
**ແບບອຸດສາຫະກຳ**  
**(Industrial Design)**

**1. ຄຳຮ້ອງ**  
**(Applications)**

**ຄຳອະທິບາຍກ່ຽວກັບລະຫັດຫຍໍ້**  
**(Introduction of Codes)**

- (21) ເລກທີ ຄຳຮ້ອງ (Filing Number)
- (22) ວັນທີ ຄຳຮ້ອງ (Filing Date)
- (30) ວັນທີ ບຸລິມາສິດ (Priority Date)
- (51) ໝວດ (Locarno Classification)
- (54) ຊື່ຂອງແບບອຸດສາຫະກຳ (Title)
- (71) ຊື່ ແລະ ທີ່ຢູ່ ຂອງເຈົ້າຂອງ (Owner Name and Address)
- (72) ຊື່ຜູ້ອອກແບບ (Designer Name)
- (74) ຊື່ຕົວແທນ (Representative Name)
- (55) ຮູບພາບ (Pictures)

ພາກທີ II  
(Part II)  
ແບບອຸດສາຫະກຳ  
(Industrial Design)

2. ຜົນການຈົດທະບຽນ  
(Registration)

ຄຳອະທິບາຍກ່ຽວກັບລະຫັດຫຍໍ້  
(Introduction of Codes)

- (11) ເລກທີ ຈົດທະບຽນ (Registration Number)  
(15) ວັນທີ ຈົດທະບຽນ (Registration Date)  
(21) ເລກທີ ຍືນຄຳຮ້ອງ (Filing Number)  
(22) ວັນທີ ຍືນຄຳຮ້ອງ (Filing Date)  
(30) ວັນທີ ບຸລິມາສິດ (Priority Date)  
(17) ວັນທີ ໝົດອາຍຸ (Expiration Date)  
(51) ໝວດ (Locarno Classification)  
(54) ຊື່ຂອງແບບອຸດສາຫະກຳ (Title)  
(71) ຊື່ ແລະ ທີ່ຢູ່ ຂອງເຈົ້າຂອງ (Owner Name and Address)  
(72) ຊື່ຜູ້ອອກແບບ (Designer Name)  
(74) ຊື່ຕົວແທນ (Representative Name)  
(55) ຮູບພາບ (Pictures)

**ພາກທີ II**

**(Part II)**

**ແບບອຸດສາຫະກຳ**

**(Industrial Design)**

**3. ການປ່ຽນແປງ**

**(Changes)**

**ພາກທີ II**

**(Part II)**

**ແບບອຸດສາຫະກຳ**

**(Industrial Design)**

**4. ການດັດແກ້**

**(Amendments)**

**ພາກທີ III**  
**(Part III)**  
**ເຄື່ອງໝາຍການຄ້າ**  
**Trademarks**

**1. ຄໍາຮ້ອງ**  
**(Applications)**

**ຄໍາອະທິບາຍກ່ຽວກັບລະຫັດຫຍໍ້**  
**(Introduction of Codes)**

- (540) ເຄື່ອງໝາຍການຄ້າ (Trademark)
- (511) ໝວດ (Nice Classification)
- (210) ເລກທີ ຄໍາຮ້ອງ (Number of the application)
- (220) ວັນທີ ຄໍາຮ້ອງ (Date of filing of the application)
- (732) ຊື່ ແລະ ທີ່ຢູ່ ຂອງຜູ້ຍື່ນຄໍາຮ້ອງ (Name and Address of applicant)

## ພາກທີ III

### (Part III)

## ເຄື່ອງໝາຍການຄ້າ

### Trademarks

#### 2. ຜົນການຈົດທະບຽນ

##### (Registration)

##### ຄຳອະທິບາຍກ່ຽວກັບລະຫັດຫຍໍ້

##### (Introduction of Codes)

- (540) ເຄື່ອງໝາຍການຄ້າ (Trademark)
- (511) ໝວດ (Nice Classification)
- (210) ເລກທີ ຄຳຮ້ອງ (Number of the application)
- (220) ວັນທີ ຄຳຮ້ອງ (Date of filing of the application)
- (732) ຊື່ ແລະ ທີ່ຢູ່ ຂອງຜູ້ຍື່ນຄຳຮ້ອງ (Name and Address of applicant)
- (111) ເລກທີ ການຈົດທະບຽນເຄື່ອງໝາຍການຄ້າ (Number of the registration)
- (180) ວັນໝົດອາຍຸຂອງການຈົດທະບຽນ (Expiration date of the registration)

(540) Registration



(511) 31

(210) No. 48869

(220) 28/08/2023

(732) ບໍລິສັດ ຈະເລີນພອກພັນໂພຣດິວສ໌(ລາວ) ຈຳກັດ  
CHAROEN POKPHAND PRODUCE(LAO)  
CO.,LTD

ຖະໜົນ 13 ໃຕ້, ບ້ານ ໂນນທອງ, ເມືອງ ໄຊທານີ,  
ສປປ ລາວ

(111) No. 61583

(180) 28/08/2033

(540) Registration



(511) 12

(210) No. 49150

(220) 24/10/2023

(732) ບໍລິສັດ ລາວ ລຸຊຸລຸຢາງ ຊິນເນີງຢວນ ການຄ້າຂາອອກ-  
ຂາເຂົ້າ ຈຳກັດຜູ້ດຽວ

ບ້ານ ໂນນຂີ້ເຫຼັກ, ເມືອງ ສີໂຄດຕະບອງ,  
ນະຄອນຫຼວງວຽງຈັນ, ສປປ ລາວ

(111) No. 61584

(180) 24/10/2033



(540) Registration



(511) 11, 30, 35, 37 and 39

(210) No. 49151

(220) 24/10/2023

(732) ບໍລິສັດ ໜຶ່ງຫວ່າງ ອຸດສາຫະກຳ ຈຳກັດ

ບ້ານ ອາກາດ, ເມືອງ ສີໂຄດຕະບອງ, ສປປ ລາວ

(111) No. 61585

(180) 24/10/2033

(540) Registration



(511) 11, 30, 35, 37 and 39

(210) No. 49152

(220) 24/10/2023

(732) ບໍລິສັດ ໜຶ່ງຫວ່າງ ອຸດສາຫະກຳ ຈຳກັດ

ບ້ານ ອາກາດ, ເມືອງ ສີໂຄດຕະບອງ,

ນະຄອນຫຼວງວຽງຈັນ, ສປປ ລາວ

(111) No. 61586

(180) 24/10/2033

(540) Registration



(511) 11, 30, 35, 37 and 39

(210) No. 49153

(220) 24/10/2023

(732) ບໍລິສັດ ໜຶ່ງຫວຽງ ອຸດສາຫະກຳ ຈຳກັດ

ບ້ານ ອາກາດ, ເມືອງ ສີໂຄດຕະບອງ,

ນະຄອນຫຼວງວຽງຈັນ, ສປປ ລາວ

(111) No. 61587

(180) 24/10/2033

(540) Registration



(511) 05

(210) No. 46165

(220) 30/08/2021

(732) ບໍລິສັດ ຜະລິດຕະພັນອາຫານຮຸ່ງເຮືອງວຽງຈັນ

ຈຳກັດຜູ້ດຽວ

ບ້ານໜອງປາໃນ, ເມືອງສີໂຄດຕະບອງ,

ນະຄອນຫຼວງວຽງຈັນ, ສປປ ລາວ

(111) No. 61594

(180) 30/08/2031

(540) Registration

**VIVO**

(511) 07, 11, 12, 14, 16, 28, 37, 41 and 42

(210) No. 40320

(220) 29/11/2017

(732) VIVO MOBILE COMMUNICATION CO.,  
LTD.

283#, BBK Road, Wusha, Chang'An,

Dongguan, Guangdong, China.

(111) No. 61618

(180) 21/11/2034

**ພາກທີ III**  
**(Part III)**  
**ເຄື່ອງໝາຍການຄ້າ**  
**Trademarks**

**3. ການຕໍ່ອາຍຸ**  
**(Renewal)**

**ຄຳອະທິບາຍກ່ຽວກັບລະຫັດຫຍໍ້**  
**(Introduction of Codes)**

- (540) ເຄື່ອງໝາຍການຄ້າ (Trademark)
- (511) ໝວດ (Nice Classification)
- (210) ເລກທີ ຄຳຮ້ອງ (Number of the application)
- (220) ວັນທີ ຄຳຮ້ອງ (Date of filing of the application)
- (732) ຊື່ ແລະ ທີ່ຢູ່ ຂອງຜູ້ຍື່ນຄຳຮ້ອງ (Name and Address of applicant)
- (111) ເລກທີການຈັດທະບຽນເຄື່ອງໝາຍການຄ້າ (Number of the registration)
- (180) ການຕໍ່ອາຍຸການຈັດທະບຽນ (Expiration date of the renewal)

(540) Trademark Renewal

**FANTA**

(511) 32

(210) No. 626

(220) 06/03/1992

(732) THE COCA - COLA COMPANY.

310 North Avenue, N.W. City of Atlanta, State  
of Georgia 30313, United States Of America

(111) No. 623

(180) 06/03/2032

(540) Trademark Renewal

**FRESCA**

(511) 32

(210) No. 627

(220) 06/03/1992

(732) The Coca-Cola Company

310 North Avenue, N.W. City of Atlanta, State  
of Georgia 30313, United States Of America

(111) No. 624

(180) 06/03/2032

(540) Trademark Renewal

**AQUARIUS**

(511) 32

(210) No. 628

(220) 06/03/1992

(732) The Coca-Cola Company

310 North Avenue, N.W. City of Atlanta,

State of Georgia 30313,

United States Of America

(111) No. 625

(180) 06/03/2032

(540) Trademark Renewal

**SPRITE**

(511) 32

(210) No. 629

(220) 06/03/1992

(732) The Coca-Cola Company

310 North Avenue, N.W. City of Atlanta, State

of Georgia 30313, United States Of America

(111) No. 626

(180) 06/03/2032

(540) Trademark Renewal



(511) 32

(210) No. 630

(220) 06/03/1992

(732) The Coca-Cola Company

310 North Avenue, N.W. City of Atlanta,

State of Georgia 30313,

United States Of America

(111) No. 627

(180) 06/03/2032

(540) Trademark Renewal



(511) 32

(210) No. 631

(220) 06/03/1992

(732) The Coca-Cola Company

310 North Avenue, N.W. City of Atlanta,

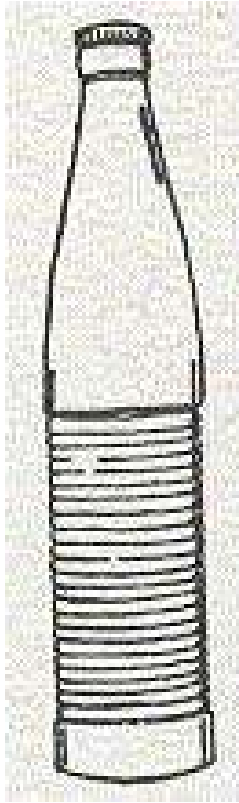
State of Georgia 30313,

United States Of America

(111) No. 628

(180) 06/03/2032

(540) Trademark Renewal



(511) 32

(210) No. 633

(220) 06/03/1992

(732) The Coca-Cola Company

310 North Avenue, N.W. City of Atlanta, State  
of Georgia 30313, United States Of America

(111) No. 630

(180) 06/03/2032

(540) Trademark Renewal



(511) 32

(210) No. 634

(220) 06/03/1992

(732) The Coca-Cola Company

310 North Avenue, N.W. City of Atlanta,  
State of Georgia 30313,  
United States Of America

(111) No. 631

(180) 06/03/2032



(540) Trademark Renewal

**COCA-COLA (**  
**Laotian word )**

(511) 32

(210) No. 636

(220) 06/03/1992

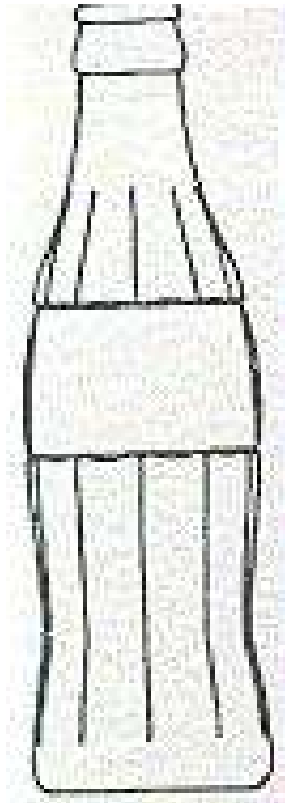
(732) The Coca-Cola Company

310 North Avenue, N.W. City of Atlanta, State  
of Georgia 30313, United States Of America

(111) No. 633

(180) 06/03/2032

(540) Trademark Renewal



(511) 32

(210) No. 637

(220) 06/03/1992

(732) The Coca-Cola Company

310 North Avenue, N.W. City of Atlanta,  
State of Georgia 30313,  
United States Of America

(111) No. 634

(180) 06/03/2032

(540) Trademark Renewal

**Coke**

(511) 32

(210) No. 638

(220) 06/03/1992

(732) The Coca-Cola Company

310 North Avenue, N.W. City of Atlanta, State  
of Georgia 30313, United States Of America

(111) No. 635

(180) 06/03/2032

(540) Trademark Renewal

**COKE**

(511) 30

(210) No. 639

(220) 06/03/1992

(732) The Coca-Cola Company

310 North Avenue, N.W. City of Atlanta, State  
of Georgia 30313, United States Of America

(111) No. 636

(180) 06/03/2032

(540) Trademark Renewal

**COKE**

(511) 33

(210) No. 640

(220) 06/03/1992

(732) The Coca-Cola Company

310 North Avenue, N.W. City of Atlanta, State  
of Georgia 30313, United States Of America

(111) No. 637

(180) 06/03/2032

(540) Trademark Renewal

**COCA-COLA**

(511) 33

(210) No. 641

(220) 06/03/1992

(732) The Coca-Cola Company

310 North Avenue, N.W. City of Atlanta, State  
of Georgia 30313, United States Of America

(111) No. 638

(180) 06/03/2032

(540) Trademark Renewal

**COCA-COLA**

(511) 30

(210) No. 642

(220) 06/03/1992

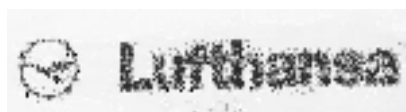
(732) The Coca-Cola Company

310 North Avenue, N.W. City of Atlanta, State  
of Georgia 30313, United States Of America

(111) No. 639

(180) 06/03/2032

(540) Trademark Renewal



(511) 39

(210) No. 1952

(220) 10/03/1993

(732) DEUTSCHE LUFTHANSA AG

Von-Gablenz-Strasse 2-6, D-50679 Cologne,  
Germany

(111) No. 1922

(180) 10/03/2033

(540) Trademark Renewal

**ALLURE**

(511) 03

(210) No. 2995

(220) 10/05/1994

(732) CHANEL

135, avenue Charles de Gaulle, 92200

NEUILLY SUR SEINE, FRANCE

(111) No. 2668

(180) 10/05/2034

(540) Trademark Renewal

**PERBUNAN**

(511) 17

(210) No. 3297

(220) 14/09/1994

(732) ARLANXEO Deutschland GmbH

Alte Heerstr. 2, 41540 Dormagen, Germany

(111) No. 2702

(180) 14/09/2034

(540) Trademark Renewal



(511) 34

(210) No. 3018

(220) 16/05/1994

(732) CTBAT International Co., Limited

29th Floor, Oxford House, Taikoo Place, 979

King's Road, Island East, Hong Kong

(111) No. 2942

(180) 16/05/2034

(540) Trademark Renewal



(511) 34

(210) No. 3019

(220) 16/05/1994

(732) CTBAT International Co., Limited

29th Floor, Oxford House, Taikoo Place, 979

King's Road, Island East, Hong Kong

(111) No. 2943

(180) 16/05/2034

(540) Trademark Renewal

**THE PENINSULA ( series )**

(511) 42

(210) No. 3184

(220) 01/08/1994

(732) Peninsula Intellectual Property Limited

Vistra Corporate Services Centre, Wickhams

Cay II, Road Town, Tortola, VG1110,

Virgin Islands (British)

(111) No. 3077

(180) 01/08/2034

(540) Trademark Renewal



(511) 03

(210) No. 3164

(220) 27/07/1994

(732) S.C. JOHNSON & SON, INC

1525 Howe Street, Racine, Wisconsin 53403,

United States Of America

(111) No. 3297

(180) 27/07/2034

(540) Trademark Renewal

**KOTEX**

(511) 05

(210) No. 3015

(220) 13/05/1994

(732) Kimberly-Clark Worldwide, Inc  
Neenah, Wisconsin 54956, U.S.A,  
United States Of America

(111) No. 3743

(180) 13/05/2034

(540) Trademark Renewal

**RCA**

(511) 09

(210) No. 3069

(220) 07/06/1994

(732) TALISMAN BRANDS, INC.  
1013 Centre Road, Suite 403-B, City of  
Wilmington, country of  
New Castle, State of Delaware 19805, France

(111) No. 3754

(180) 07/06/2034



(540) Trademark Renewal

**AKIRA**

(511) 07

(210) No. 9788

(220) 25/11/2002

(732) AKI HABARA ELECTRIC CORPORATION  
PTE LTD

10 Toh Guan Road, # 10-00 TT International  
Trdepark, SG 608838, Singapore

(111) No. 9314

(180) 21/11/2044

(540) Trademark Renewal

**AKIRA**

(511) 09

(210) No. 9789

(220) 25/11/2002

(732) AKI HABARA ELECTRIC CORPORATION  
PTE LTD

10 Toh Guan Road, # 10-00 TT International  
Tradepark, Singapore 608838.

(111) No. 9315

(180) 21/11/2044

(540) Trademark Renewal

**AKIRA**

(511) 11

(210) No. 9790

(220) 25/11/2002

(732) AKI HABARA ELECTRIC CORPORATION  
PTE LTD

10 Toh Guan Road, # 10-00 TT International  
Tradepark, Singapore 608838.

(111) No. 9316

(180) 21/11/2044

(540) Trademark Renewal

**COMMAX**

(511) 09

(210) No. 11229

(220) 29/04/2004

(732) Commax Co., Ltd.

494, Dunchon-daero, Jungwon-gu, Seongnam-  
si, Gyeonggi-do, Republic of Korea

(111) No. 10718

(180) 30/04/2034

(540) Trademark Renewal

The logo consists of the letters 'NTN' in a bold, black, sans-serif font. The letters are slightly stylized, with the 'N' and 'T' having a blocky appearance. The 'T' is positioned between the two 'N's.

(511) 07

(210) No. 11230

(220) 29/04/2004

(732) NTN CORPORATION

3-17, Kyomachibori 1-chome, Nishi-ku,  
Osaka-shi, Osaka-fu, Japan

(111) No. 10719

(180) 28/04/2034

(540) Trademark Renewal

The logo consists of the word 'GABRIEL' in a bold, black, serif font. The letters are evenly spaced and have a classic, slightly ornate appearance.

(511) 12

(210) No. 11330

(220) 02/06/2004

(732) RIDE CONTROL, LLC

39300 Country Club Drive, Farmington Hills,  
Michigan 48331, United States of America

(111) No. 10822

(180) 02/06/2034

(540) Trademark Renewal

**TREK**

(511) 12

(210) No. 11356

(220) 07/06/2004

(732) Trek Bicycle Corporation.

801 West Madison Street, Waterloo, Wisconsin  
53594, United States of America

(111) No. 10847

(180) 07/06/2034

(540) Trademark Renewal

**PENTAX**

(511) 09

(210) No. 11650

(220) 23/08/2004

(732) HOYA CORPORATION

6-10-1 Nishi-Shinjuku, Shinjuku-ku,  
Tokyo 160-8347 Japan

(111) No. 11088

(180) 07/06/2034

(540) Trademark Renewal

**PENTAX**

(511) 10

(210) No. 11651

(220) 23/08/2004

(732) HOYA CORPORATION

6-10-1 Nishi-Shinjuku, Shinjuku-ku,  
Tokyo 160-8347 Japan

(111) No. 11089

(180) 07/06/2034

(540) Trademark Renewal

**NAF NAF**

(511) 25

(210) No. 11721

(220) 30/08/2004

(732) NEW NAF NAF

55 Chemin Latéral, 93140 BONDY, France

(111) No. 11148

(180) 10/05/2034

(540) Trademark Renewal

**BAYPREN**

(511) 01

(210) No. 11794

(220) 30/08/2004

(732) ARLANXEO Deutschland GmbH

Alte Heerstr. 2, 41540 Dormagen, Germany

(111) No. 11221

(180) 14/09/2034

(540) Trademark Renewal

**BAYPREN**

(511) 17

(210) No. 11795

(220) 30/08/2004

(732) ARLANXEO Deutschland GmbH

Alte Heerstr. 2, 41540 Dormagen, Germany

(111) No. 11222

(180) 14/09/2034

(540) Trademark Renewal



(511) 25

(210) No. 12002

(220) 19/10/2004

(732) Burlington Industries Philippines Inc  
7375 Bakawan Street, Makati City,  
Metro Manila, Philippines

(111) No. 11532

(180) 19/10/2034

(540) Trademark Renewal



(511) 05

(210) No. 12075

(220) 29/10/2004

(732) COMPAGNIE GERVAIS DANONE,  
(SOCIETE ANONYME)  
17 Boulevard Haussmann, 75009 Paris,  
France

(111) No. 11582

(180) 29/10/2034

(540) Trademark Renewal



(511) 29

(210) No. 12076

(220) 29/10/2004

(732) COMPAGNIE GERVAIS DANONE,  
(SOCIETE ANONYME)

17 Boulevard Haussmann, 75009 Paris,  
France

(111) No. 11583

(180) 29/10/2034

(540) Trademark Renewal



(511) 30

(210) No. 12077

(220) 29/10/2004

(732) COMPAGNIE GERVAIS DANONE,  
(SOCIETE ANONYME)

17 Boulevard Haussmann, 75009 Paris,  
France

(111) No. 11584

(180) 29/10/2034



(540) Trademark Renewal



(511) 32

(210) No. 12078

(220) 29/10/2004

(732) COMPAGNIE GERVAIS DANONE,  
(SOCIETE ANONYME)

17 Boulevard Haussmann, 75009 Paris,  
France

(111) No. 11585

(180) 29/10/2034

(540) Trademark Renewal



(511) 35

(210) No. 12079

(220) 29/10/2004

(732) COMPAGNIE GERVAIS DANONE,  
(SOCIETE ANONYME)

17 Boulevard Haussmann, 75009 Paris,  
France

(111) No. 11586

(180) 29/10/2034

(540) Trademark Renewal



(511) 43

(210) No. 12081

(220) 29/10/2004

(732) COMPAGNIE GERVAIS DANONE,  
(SOCIETE ANONYME)

17 Boulevard Haussmann, 75009 Paris,  
France

(111) No. 11588

(180) 29/10/2034

(540) Trademark Renewal

**RONDNOIR**

(511) 30

(210) No. 21831

(220) 04/08/2010

(732) SOREMARTEC S.A

16, Route de Trèves, L-2633 Senningerberg,  
Luxembourg

(111) No. 21208

(180) 04/08/2030

(540) Trademark Renewal



(511) 29

(210) No. 21855

(220) 13/08/2010

(732) KENTUCKY FRIED CHICKEN

INTERNATIONAL HOLDINGS LLC

7100 Corporate Drive, Plano, Texas 75024,

United States Of America

(111) No. 21229

(180) 13/08/2030

(540) Trademark Renewal



(511) 30

(210) No. 21856

(220) 13/08/2010

(732) Kentucky Fried Chicken International

Holdings LLC

7100 Corporate Drive, Plano, Texas 75024,

United States Of America

(111) No. 21230

(180) 13/08/2030

(540) Trademark Renewal



(511) 43

(210) No. 21857

(220) 13/08/2010

(732) Kentucky Fried Chicken International

Holdings LLC

7100 Corporate Drive, Plano, Texas 75024,

United States Of America

(111) No. 21231

(180) 13/08/2030

(540) Trademark Renewal

**XYLITOL**

(511) 30

(210) No. 27488

(220) 01/10/2012

(732) LOTTE CO., LTD

20-1, Nishi-Shinjuku 3-chome,

Shinjuku-ku, Tokyo, Japan

(111) No. 28233

(180) 29/05/2034

(540) Trademark Renewal



(511) 20

(210) No. 27494

(220) 01/10/2012

(732) Dreamwell, Ltd.

2451 Industry Avenue, Doraville,

Georgia 30360, United States of America

(111) No. 28240

(180) 30/05/2034

(540) Trademark Renewal

**SIMMONS**

(511) 20

(210) No. 27493

(220) 01/10/2012

(732) Dreamwell, Ltd.

2451 Industry Avenue, Doraville, Georgia

30360, United States of America

(111) No. 28241

(180) 30/05/2034

(540) Trademark Renewal



(511) 24

(210) No. 27495

(220) 01/10/2012

(732) Dreamwell, Ltd.

2451 Industry Avenue, Doraville, Georgia  
30360, United States of America

(111) No. 28242

(180) 30/05/2034

(540) Trademark Renewal



(511) 32

(210) No. 28413

(220) 18/01/2013

(732) OTKRYTOE AKTSIONERNOE

OBSHESTVO "NARZAN" ("Narzan" Open  
Joint-Stock Company)

43, Kirova Str., RU-357743 Kislovodsk,  
Stavropolsky krai, Russian Federation

(111) No. 28296

(180) 30/06/2034

(540) Trademark Renewal

**DEVY**

(511) 25

(210) No. 28563

(220) 07/02/2013

(732) V.S.L. INDUSTRY CO., LTD

6/10 M.9 Soi Watbangpueng,

Phrarajiviriyaporn Rond, Bangpueng,

Phrapradang, Samutprakarn 10130, Thailand

(111) No. 28408

(180) 13/08/2034

(540) Trademark Renewal



(511) 29

(210) No. 28564

(220) 07/02/2013

(732) COMPAGNIE GERVAIS DANONE

17, boulevard Haussmann, 75009 Paris,

France

(111) No. 28409

(180) 13/08/2034

(540) Trademark Renewal



(511) 32

(210) No. 28565

(220) 07/02/2013

(732) COMPAGNIE GERVAIS DANONE  
17, boulevard Haussmann, 75009 Paris,  
France

(111) No. 28410

(180) 13/08/2034

(540) Trademark Renewal



(511) 29

(210) No. 28566

(220) 07/02/2013

(732) COMPAGNIE GERVAIS DANONE  
17, boulevard Haussmann, 75009 Paris,  
France

(111) No. 28411

(180) 13/08/2034



(540) Trademark Renewal



(511) 32

(210) No. 28567

(220) 07/02/2013

(732) COMPAGNIE GERVAIS DANONE

17, boulevard Haussmann, 75009 Paris,

France

(111) No. 28412

(180) 13/08/2034

(540) Trademark Renewal

**INCRUSE**

(511) 05

(210) No. 28666

(220) 28/02/2013

(732) Glaxo Group Limited

GSK Medicines Research Centre, Gunnels

Wood Road, Stevenage, SG1 2NY,

United Kingdom

(111) No. 28505

(180) 13/08/2034

(540) Trademark Renewal



(511) 12

(210) No. 28843

(220) 19/03/2013

(732) S.Y.K. Autopart Import-Export Co., Ltd  
243 Soi Thakarm 8, Samae Dum,  
Bangkhuntien, Bangkok, 10150, Thailand

(111) No. 28676

(180) 29/08/2034

(540) Trademark Renewal

**CLUB ANGEL**

(511) 28

(210) No. 29006

(220) 08/04/2013

(732) Angel Playing Cards Co., Ltd.  
4600 Aono-Cho, Higashiomi, Shiga, Japan,  
Japan

(111) No. 28816

(180) 04/09/2034

(540) Trademark Renewal

**CRUZER BLADE**

(511) 09

(210) No. 29110

(220) 19/04/2013

(732) SanDisk LLC.

951 SanDisk Drive, Milpitas, California

95035-7933, United States Of America

(111) No. 28918

(180) 04/09/2034

(540) Trademark Renewal

**CRUZER EDGE**

(511) 09

(210) No. 29111

(220) 19/04/2013

(732) SanDisk LLC.

951 SanDisk Drive, Milpitas, California

95035-7933, United States Of America

(111) No. 28919

(180) 04/09/2034

(540) Trademark Renewal

**ANORO**

(511) 10

(210) No. 29158

(220) 29/04/2013

(732) Glaxo Group Limited

GSK Medicines Research Centre, Gunnels

Wood Road, Stevenage, SG1 2NY,

United Kingdom

(111) No. 28966

(180) 04/09/2034

(540) Trademark Renewal



(511) 29

(210) No. 29229

(220) 14/05/2013

(732) ICHIBANYA CO., LTD

6-12-23, Mitsui, Ichinomiya-shi, Aichi-ken,

491-8601, Japan

(111) No. 29036

(180) 08/10/2034

(540) Trademark Renewal



(511) 30

(210) No. 29230

(220) 14/05/2013

(732) ICHIBANYA CO., LTD

6-12-23, Mitsui, Ichinomiya-shi, Aichi-ken,  
491-8601, Japan

(111) No. 29037

(180) 08/10/2034

(540) Trademark Renewal



(511) 43

(210) No. 29231

(220) 14/05/2013

(732) ICHIBANYA CO., LTD

6-12-23, Mitsui, Ichinomiya-shi, Aichi-ken,  
491-8601, Japan

(111) No. 29038

(180) 08/10/2034

(540) Trademark Renewal



(511) 29

(210) No. 29232

(220) 14/05/2013

(732) ICHIBANYA CO., LTD

6-12-23, Mitsui, Ichinomiya-shi, Aichi-ken,  
491-8601, Japan

(111) No. 29039

(180) 08/10/2034

(540) Trademark Renewal



(511) 30

(210) No. 29233

(220) 14/05/2013

(732) ICHIBANYA CO., LTD

6-12-23, Mitsui, Ichinomiya-shi, Aichi-ken,  
491-8601, Japan

(111) No. 29040

(180) 08/10/2034

(540) Trademark Renewal



(511) 43

(210) No. 29234

(220) 14/05/2013

(732) ICHIBANYA CO., LTD

6-12-23, Mitsui, Ichinomiya-shi, Aichi-ken,  
491-8601, Japan

(111) No. 29041

(180) 08/10/2034

(540) Trademark Renewal



(511) 07

(210) No. 29292

(220) 22/05/2013

(732) Mrs. Pavena Pornchotithaverat

64 Soi Watphrapirain, Banbath,  
Pomprabsatrupai, Bangkok, 10100, Thailand

(111) No. 29098

(180) 08/10/2034

(540) Trademark Renewal

**Nitto in monochrome**

(511) 17

(210) No. 29354

(220) 04/06/2013

(732) NITTO DENKO CORPORATION

1-2, Shimohozumi 1-chome, Ibaraki-shi,  
Osaka 567-8680, Japan

(111) No. 29174

(180) 12/11/2034

(540) Trademark Renewal

**BASKIN ROBBINS**

(511) 43

(210) No. 29639

(220) 12/07/2013

(732) BR IP HOLDER LLC

130 Royall Street, Canton, Massachusetts  
02021, United States of America

(111) No. 29406

(180) 01/12/2034



(540) Trademark Renewal

**BASKIN ROBBINS**

(511) 30

(210) No. 29640

(220) 12/07/2013

(732) BR IP HOLDER LLC

130 Royall Street, Canton, Massachusetts

02021, United States of America

(111) No. 29407

(180) 01/12/2034

(540) Trademark Renewal



(511) 33

(210) No. 30653

(220) 29/10/2013

(732) Lotte Chilsung Beverage Co., Ltd.

1322-1 Seocho-Dong, Seocho-Ku, Seoul,

Republic of Korea

(111) No. 30381

(180) 05/12/2034

(540) Trademark Renewal

**Royalstar**

(511) 07

(210) No. 31201

(220) 06/01/2014

(732) Hefei State-owned Assets Holding Co., Ltd  
17-18F, Scitech Building, 4 Huayuan Rd,  
Hefei, Anhui, China

(111) No. 31148

(180) 13/03/2035

(540) Trademark Renewal

**Royalstar**

(511) 11

(210) No. 31202

(220) 06/01/2014

(732) Hefei State-owned Assets Holding Co., Ltd  
17-18F, Scitech Building, 4 Huayuan Rd,  
Hefei, Anhui, China

(111) No. 31199

(180) 13/03/2035

(540) Trademark Renewal



(511) 07

(210) No. 11291

(220) 21/05/2004

(732) DAIDO METAL CO., LTD

13F, Nagoya Hirokoji Bldg., 3-1, Sakae  
2-chome, Naka-ku, Nagoya, Japan

(111) No. 34177

(180) 09/10/2035

(540) Trademark Renewal



(511) 12

(210) No. 11292

(220) 21/05/2004

(732) DAIDO METAL CO., LTD

13F, Nagoya Hirokoji Bldg., 3-1, Sakae  
2-chome, Naka-ku, Nagoya, Japan

(111) No. 34178

(180) 09/10/2035

(540) Trademark Renewal



(511) 07

(210) No. 11293

(220) 21/05/2004

(732) DAIDO METAL CO., LTD

13F, Nagoya Hirokoji Bldg., 3-1, Sakae 2-  
chome, Naka-ku, Nagoya, Japan

(111) No. 34179

(180) 09/10/2035

(540) Trademark Renewal



(511) 12

(210) No. 11294

(220) 21/05/2004

(732) DAIDO METAL CO., LTD

13F, Nagoya Hirokoji Bldg., 3-1, Sakae  
2-chome, Naka-ku, Nagoya, Japan

(111) No. 34180

(180) 09/10/2035

(540) Trademark Renewal



(511) 07

(210) No. 11295

(220) 21/05/2004

(732) DAIDO METAL CO., LTD

13F, Nagoya Hirokoji Bldg., 3-1, Sakae  
2-chome, Naka-ku, Nagoya, Japan

(111) No. 34181

(180) 09/10/2035

(540) Trademark Renewal



(511) 12

(210) No. 11296

(220) 21/05/2004

(732) DAIDO METAL CO., LTD

13F, Nagoya Hirokoji Bldg., 3-1, Sakae  
2-chome, Naka-ku, Nagoya, Japan

(111) No. 34182

(180) 09/10/2035

(540) Trademark Renewal



(511) 07

(210) No. 11297

(220) 21/05/2004

(732) DAIDO METAL CO., LTD

13F, Nagoya Hirokoji Bldg., 3-1, Sakae  
2-chome, Naka-ku, Nagoya, Japan

(111) No. 34183

(180) 09/10/2035

(540) Trademark Renewal



(511) 12

(210) No. 11298

(220) 21/05/2004

(732) DAIDO METAL CO., LTD

13F, Nagoya Hirokoji Bldg., 3-1, Sakae  
2-chome, Naka-ku, Nagoya, Japan

(111) No. 34184

(180) 09/10/2035

(540) Trademark Renewal

**CONTIPREMIUMCONTACT**

(511) 12

(210) No. 11414

(220) 29/06/2004

(732) Continental Reifen

Deutschland GmbH

Valrenwalder Str. 9, 30165

Hannover, Germany

(111) No. 10904

(180) 29/06/2034

**ພາກທີ III**

**(Part III)**

**ເຄື່ອງໝາຍການຄ້າ**

**Trademarks**

**4. ການປ່ຽນແປງ**

**(Changes)**



**ພາກທີ III**  
**(Part III)**  
**ເຄື່ອງໝາຍການຄ້າ**  
**Trademarks**

**5. ການດັດແກ້**  
**(Amendments)**

## ພາກທີ IV

### (Part IV)

## ເຄື່ອງໝາຍການຄ້າຜ່ານລະບົບມາດຣິດ

### Trademarks via Madrid Protocol

#### 1. ຄໍາຮ້ອງ

#### (Applications)

##### ຄໍາອະທິບາຍກ່ຽວກັບລະຫັດຫຍໍ້

##### (Introduction of Codes)

- (540) ເຄື່ອງໝາຍການຄ້າ (Trademark)
- (511) ໝວດ (Nice Classification)
- (210) ເລກທີ ຄໍາຮ້ອງ (Number of the application)
- (220) ວັນທີ ຄໍາຮ້ອງ (Date of filing of the application)
- (732) ຊື່ ແລະ ທີ່ຢູ່ ຂອງຜູ້ຍື່ນຄໍາຮ້ອງ (Name and Address of applicant)

(540)Madrid Application

(511) 17

(210) No. M/1175469

(220) 11/10/2024

(732) SHANGHAI NAR INDUSTRIAL CO.,LTD.

No.26, Xinhua Road, Xinchang Town,  
Pudong New District 201314 Shanghai,  
China

(540)Madrid Application

(511) 09, 16, 35, 36, 37, 38, 41, 42 and 45

(210) No. M/1527880

(220) 21/10/2024

(732) AFRY AB

Frösundaleden 2E SE-169 70 Stockholm,  
Sweden

(540)Madrid Application

**Jungheinrich**

(511) 04, 07, 09, 12, 16, 20, 35, 36, 37, 39, 41, 42  
and 45

(210) No. M/1655898

(220) 16/10/2024

(732) Jungheinrich Aktiengesellschaft  
Friedrich-Ebert-Damm 129 22047 Hamburg,  
Germany

(540)Madrid Application

(511) 29, 30, 32, 35 and 43

(210) No. M/1668513

(220) 05/09/2024

(732) Wuhan Yihui Drinking Technology Co., Ltd.  
No. 1, 24th Floor, Unit 2, Building C8,  
Rongke Zhigu Industrial Project (Phase 3),  
Liqiao Village, Hongshan District, Wuhan  
Hubei, China

(540)Madrid Application

回水镇

(511) 43

(210) No. M/1733916

(220) 11/10/2024

(732) Yanbin Zhang

Group 5, Dongfang Village, Xiangfu Town,  
Qingbaijiang District, Chengdu City Sichuan  
Province, China

(540)Madrid Application



(511) 01, 05, 09, 10 and 11

(210) No. M/1744070

(220) 09/10/2024

(732) ROYLAB GLOBAL PTE. LTD.

2 VENTURE DRIVE, #10-25 VISION  
EXCHANGE SINGAPORE 608526

(540)Madrid Application



(511) 09

(210) No. M/1745977

(220) 11/10/2024

(732) Li lingling

Room 801, No. 1, Baiyi Lane, Liwan District,  
Guangzhou City 510000 Guangdong  
Province, China

(540)Madrid Application

The image shows a logo for the word "STEEN". The letters are in a bold, serif font. The 'S' is the largest and most prominent letter. The logo is centered within a light gray rectangular background.

(511) 32

(210) No. M/1758534

(220) 28/08/2024

(732) CONG TY CO PHAN CHE BIEN THUC

PHAM VA NUOC GIAI KHAT VIET-MY  
So 55, ngo 670, duong Ha Huy Tap, xa Dinh  
Xuyen, huyen Gia Lam Ha Noi, Vietnam

(540)Madrid Application

**国轩高科**  
GOTION HIGH-TECH

(511) 09

(210) No. M/1782455

(220) 11/10/2024

(732) Hefei Gotion High-Tech Power Energy Co.,  
Ltd

No. 599 Daihe Road, Xinzhan District,  
Hefei Anhui, China

(540)Madrid Application



(511) 09

(210) No. M/1785014

(220) 11/10/2024

(732) Hefei Gotion High-Tech Power Energy Co.,  
Ltd

No. 599 Daihe Road, Xinzhan District,  
Hefei Anhui, China

(540)Madrid Application

**Gotion**

(511) 09

(210) No. M/1785094

(220) 11/10/2024

(732) HEFEI GOTION HIGH-TECH POWER  
ENERGY CO., LTD

No. 599 Daihe Road, Xinzhan District,  
Hefei Anhui, China

(540)Madrid Application

**宋柚**

(511) 32

(210) No. M/1809325

(220) 29/10/2024

(732) Zhejiang YUZU VALLEY Holding Co., Ltd.

No. 190-2, Xindu East Avenue, Economic  
Development Zone, Changshan County,  
Quzhou City 324200 Zhejiang Province,  
China



(540)Madrid Application

**INLEXZO**

(511) 05

(210) No. M/1810245

(220) 31/10/2024

(732) Janssen Pharmaceutica NV

Turnhouseweg 30 B-2340 Beerse, Belgium

(540)Madrid Application

**RIZZEN**

(511) 03

(210) No. M/1816134

(220) 24/10/2024

(732) RSH Global Private Limited

Unit 2C, 2nd Floor, "White House", 119, Park  
Street, Kolkata 700016 West Bengal, India

(540)Madrid Application

**L60**

(511) 12 and 28

(210) No. M/1817243

(220) 30/10/2024

(732) NIO (Anhui) Co., Ltd

Building F, Hengchuang Intelligent Technology  
Park, Susong Road 3963, Econ. and Technol.  
Dev. Area Hefei City, China

(540)Madrid Application

徠服

(511) 28

(210) No. M/1821212

(220) 21/08/2024

(732) Taizhou Pengde Sports Equipment Co., Ltd

No. 902, Zhongxing 9, Pharmaceutical High  
Tech Industrial Development Zone, Taizhou  
City 225500 Jiangsu Province, China

(540)Madrid Application

**Onchain**

(511) 36

(210) No. M/1821230

(220) 04/10/2024

(732) Mr Bishara Smeir

7 The Wylde BURY BL90NL,  
United Kingdom

(540)Madrid Application

**Haki Haki**

(511) 05 and 31

(210) No. M/1821268

(220) 16/08/2024

(732) MEGA SOFT(CHINA)CO., LTD.

No.1, Xinqiang Road, Machinery Printing  
Base, Gaoxin District, Hongshan Town,  
Shishi City, Quanzhou 362000 Fujian, China

(540)Madrid Application



(511) 29, 30 and 32

(210) No. M/1821271

(220) 20/09/2024

(732) THREE SQUIRRELS INC.

Jiusheng Road No. 8, Hi-Tech Industrial  
Development Zone, Yijiang District, Wuhu  
241000 Anhui Province, China

(540)Madrid Application

**Burning Crown**

(511) 09, 28 and 41

(210) No. M/1821304

(220) 24/07/2024

(732) Euro Games Technology Ltd.

Panorama Sofia Str. 6, Richhill Business  
Center, ground floor BG-1766 Vitosha Region,  
Sofia, Bulgaria

(540)Madrid Application

柒闯闯

(511) 25

(210) No. M/1821315

(220) 05/07/2024

(732) Fujian Seven Brand Fashion & Technology  
Co., Ltd.  
No. 1 Seven Brand Fashion Industry Park,  
Yinglin Town, Jinjiang City Fujian Province,  
China

(540)Madrid Application



(511) 30

(210) No. M/1821330

(220) 08/08/2024

(732) Chuangke Decoration New Materials (Hebei)  
Co., Ltd.  
South of West Section, Zhenxing Road,  
Quzhou County, Handan City 057250 Hebei  
Province, China

(540)Madrid Application

UUYP

(511) 35

(210) No. M/1821332

(220) 20/09/2024

(732) Guangzhou Youyou Yipin Beauty Cosmetics  
Co., Ltd

Room 102, No. 32-3, Helong 4th Road,  
Nancun, Longgui Street, Baiyun District,  
Guangzhou City Guangdong Province, China

(540)Madrid Application



(511) 33

(210) No. M/1821336

(220) 08/08/2024

(732) Chuangke Decoration New Materials (Hebei)  
Co., Ltd.

South of West Section, Zhenxing Road,  
Quzhou County, Handan City 057250 Hebei  
Province, China

(540)Madrid Application

The logo for KooSwalla, featuring the brand name in a stylized, lowercase font. The 'K' is large and bold, and the 'S' is also prominent. The letters are black and have a slightly irregular, hand-drawn appearance.

(511) 03

(210) No. M/1821347

(220) 08/08/2024

(732) Guangzhou KooSwalla Cosmetics Co., Ltd  
Room 709-713, No.7 Sanheng Road, Shijing  
Industrial Zone, Shisha Road, Shimen Street,  
Baiyun District, Guangzhou City 510430  
Guangdong Province, China

(540)Madrid Application

The logo for ZHONGCYT, featuring the brand name in a bold, uppercase, sans-serif font. The letters are black and have a slightly irregular, hand-drawn appearance.

(511) 09

(210) No. M/1821354

(220) 12/08/2024

(732) Zhongce Yongtong Cable Co.,Ltd.  
No. 111, High tech Industrial Park Luqiao  
Street, Luqiao District Taizhou City, Zhejiang  
Province, China

(540)Madrid Application



(511) 32

(210) No. M/1821355

(220) 08/08/2024

(732) Chuangke Decoration New Materials (Hebei)  
Co., Ltd.

South of West Section, Zhenxing Road,  
Quzhou County, Handan City 057250 Hebei  
Province, China

(540)Madrid Application



(511) 09

(210) No. M/1821358

(220) 27/09/2024

(732) Shenzhen Asenware Test And Control  
Technology Co., Ltd

D-26H, Shihong Garden, No.63 Fanshen Rd.,  
Anle Community, Xin'an Street Bao'an  
District, Shenzhen, 518000 Guangdong,  
China



(540)Madrid Application

The logo for 'reocoer' features the word in a bold, lowercase, sans-serif font. A circular graphic element, consisting of two overlapping arcs, is positioned behind the letters 'o' and 'c'.

(511) 23

(210) No. M/1821359

(220) 14/08/2024

(732) Jiangsu Guowang High-Technique Fiber Co.,  
Ltd.

Meiyan Development Area Wujiang, Suzhou  
City, Jiangsu Province, China

(540)Madrid Application

The logo for 'BYD BLADE' features the words in a bold, uppercase, serif font.

(511) 12

(210) No. M/1821376

(220) 26/08/2024

(732) BYD COMPANY LIMITED

No.1, Yan'an Road, Kuichong Street, Dapeng  
New District, Shenzhen Guangdong, China

(540)Madrid Application

**AVOUR**

(511) 03

(210) No. M/1821378

(220) 11/10/2024

(732) Huixia Chen

No.51, Reform Village, Sanjia Street,  
Jiaojiang District, Taizhou City 317700  
Zhejiang Province, China

(540)Madrid Application

**立立音育  
龍龍龍龍**

(511) 28

(210) No. M/1821379

(220) 21/08/2024

(732) Taizhou Jiakang Sports Equipment Co., Ltd

No. 902, Zhongxing 9, Pharmaceutical High  
tech Industrial Development Zone, Taizhou  
City 225500 Jiangsu Province, China

(540)Madrid Application



(511) 12

(210) No. M/1821381

(220) 16/08/2024

(732) Zhejiang Yazhixing Automobile Components  
Co., Ltd.

No.8 Chuangye Road, Standard Building,  
Zhenglou, Wanquan Town, Pingyang district,  
Wenzhou City Zhejiang, China

(540)Madrid Application

The logo is the word 'TOKQI' in a very bold, sans-serif font. The letters are thick and closely spaced. The 'Q' has a distinctive shape with a small tail.

(511) 09

(210) No. M/1821386

(220) 03/09/2024

(732) Shenzhen Yuansuchuangda Technology Co,  
Ltd.

Room 201, Building B5, Xiufeng Industrial  
City, Gankeng Community, Jihua Street,  
Longgang District, Shenzhen 518000  
Guangdong, China

(540)Madrid Application

婷美

(511) 28

(210) No. M/1821394

(220) 21/08/2024

(732) Taizhou Pengde Sports Equipment Co., Ltd  
No. 902, Zhongxing 9, Pharmaceutical High  
Tech Industrial Development Zone, Taizhou  
City 225500 Jiangsu Province, China

(540)Madrid Application

**sportneer**

(511) 28

(210) No. M/1821430

(220) 21/08/2024

(732) Yiwu Chenhu E-commerce Co., Ltd  
803, 8th Floor, Block A, No.512, Hehua South  
Road, Choujiang Sub-district, Yiwu City,  
Jinhua City 322000 Zhejiang Province, China

(540)Madrid Application

*Wrong Love*

(511) 25

(210) No. M/1821465

(220) 05/08/2024

(732) Zheng Yugui

Room 102, No.9, Sanzhi Lane,  
Shuangshanwei Residential Area, Jingdu  
Town, Chaonan District, Shantou City  
Guangdong Province, China

(540)Madrid Application

**SO MANY CATS**

(511) 16

(210) No. M/1821470

(220) 29/08/2024

(732) SHANGHAI M&G STATIONERY INC.

Building 3, No. 3469 Jinqian Road, Fengxian  
District 201612 Shanghai, China

(540)Madrid Application

**YOKING**

(511) 07

(210) No. M/1821478

(220) 12/08/2024

(732) YOKING PUMP INDUSTRY CO., LTD

First floor (west side), second floor (west side), fourth floor of Building No. 2 within the Dongan Village Economic, Dongan Village, Daxi Town, Wenling City, Taizhou City Zhejiang Province, China

(540)Madrid Application

**Solo Corner**

(511) 05

(210) No. M/1821480

(220) 11/09/2024

(732) Shenzhen Blue Origin Brand Management Co., Ltd.

Room 3302, Building 2, Shenzhen New Generation Industrial Park, No. 136, Zhongkang Road, Meidu Community, Meilin Street, Futian District, Shenzhen City Guangdong Province, China

(540)Madrid Application

**HESE**

(511) 06

(210) No. M/1821485

(220) 23/08/2024

(732) HESE (Shandong) Door and Window System  
Co., Ltd.

Room 1012, Floor 10, Jinniu Building,  
Intersection of Xiaoqinghe South Road and  
Wuyingshan North Road, Luokou Street,  
Tianqiao District, Jinan City Shandong  
Province, China

(540)Madrid Application

**DAIREN**

(511) 07

(210) No. M/1821487

(220) 11/10/2024

(732) Shaoxing Wuqiong Textile Co., Ltd.

Room 505-1, Building 1, Development Plaza-  
Light Textile Building B, No.228 Huxi Road,  
Keqiao District, Shaoxing City 312030  
Zhejiang Province, China

(540)Madrid Application

**mioption**

(511) 10 and 11  
(210) No. M/1821494  
(220) 15/10/2024  
(732) Zhejiang Mioption Technology Co., Ltd  
No. 828, Lianxing Road, Kandun Industrial  
Zone, Cixi City Zhejiang, China

(540)Madrid Application

**淑高**

(511) 28  
(210) No. M/1821518  
(220) 21/08/2024  
(732) Taizhou Pengde Sports Equipment Co., Ltd  
No. 902, Zhongxing 9, Pharmaceutical High  
Tech Industrial Development Zone, Taizhou  
City 225500 Jiangsu Province, China



(540)Madrid Application

The logo consists of the word "BIYOSO" in a bold, black, sans-serif font. The letters are closely spaced and have a slightly irregular, blocky appearance.

(511) 09

(210) No. M/1821519

(220) 11/10/2024

(732) Dongguan Biyoso Digital Technology Co.,  
Ltd

Room 701, No. 89 Shipai Longteng Road,  
Shipai Town, Dongguan City 523000  
Guangdong Province, China

(540)Madrid Application



(511) 09 and 42

(210) No. M/1821520

(220) 11/10/2024

(732) Honor Device Co., Ltd.

Suite 3401, Unit A, Building 6, Shum Yip  
Sky Park, No. 8089, Hongli West Road,  
Xiangmihu Street, Futian District, Shenzhen  
518040 Guangdong, China

(540)Madrid Application

**LIFETEC**

(511) 07, 09, 12, 13 and 42

(210) No. M/1821551

(220) 31/01/2024

(732) ZF FRIEDRICHSHAFEN AG

Löwentaler Str. 20 88046 Friedrichshafen,  
Germany

(540)Madrid Application

**compont**

(511) 05, 10 and 35

(210) No. M/1821615

(220) 02/08/2024

(732) Beijing Compont Medical Devices Co., Ltd.

Lv1-3 Building 9, NO.156 4th Jinghai Road,  
BDA 100176 Beijing, China

(540)Madrid Application



(511) 09 and 11

(210) No. M/1821643

(220) 11/10/2024

(732) He Ping

Room 2302, Building 14, Jiangnan Coast

Garden, No. 13 Jinnan Road, Guzhen Town,

Zhongshan City, Guangdong Province, China

(540)Madrid Application



(511) 01, 05, 09, 35, 41 and 42

(210) No. M/1821981

(220) 15/05/2024

(732) AnalytiChem Holding GmbH

Frankfurter Straße 80-82 65760 Eschborn,

Germany

(540)Madrid Application



(511) 01, 04, 06, 07, 08, 09, 11, 12, 14, 16, 18, 20,  
21, 24, 25, 26, 27, 28, 35, 36, 37, 38, 39, 40, 41, 42  
and 45

(210) No. M/1822002

(220) 08/02/2024

(732) MAN Marken GmbH

Dachauer Straße 667 München 80995,  
Germany

(540)Madrid Application

**MEADOW FRESH**

(511) 29

(210) No. M/1822086

(220) 13/09/2024

(732) GOODMAN FIELDER PTE. LTD.

28 BIOPOLIS ROAD, WILMAR  
INTERNATIONAL SINGAPORE 138568

(540)Madrid Application

**CASETIFY**

(511) 09

(210) No. M/1822091

(220) 20/09/2024

(732) CSETAGRAM LIMITED

18/F, NEO, 123 HOI BUN ROAD, KWUN  
TONG KOWLOON HONG KONG, CHINA

(540)Madrid Application

**CASETIFY**

(511) 09

(210) No. M/1822092

(220) 20/09/2024

(732) CSETAGRAM LIMITED

18/F, NEO, 123 HOI BUN ROAD, KWUN  
TONG KOWLOON HONG KONG, CHINA

(540)Madrid Application

## Professional Baseball Spirits

(511) 09 and 41

(210) No. M/1822138

(220) 19/08/2024

(732) Konami Digital Entertainment Co., Ltd.

1-11-1, Ginza, Chuo-ku Tokyo 104-0061,  
Japan

(540)Madrid Application



(511) 09, 28, 41 and 42

(210) No. M/1822192

(220) 26/07/2024

(732) Euro Games Technology Ltd.

Panorama Sofia Str. 6, Richhill Business  
Center, ground floor BG-1766 Vitosha  
Region, Sofia, Bulgaria

(540)Madrid Application



(511) 09, 28, 41 and 42

(210) No. M/1822193

(220) 26/07/2024

(732) Euro Games Technology Ltd.

Panorama Sofia Str. 6, Richhill Business  
Center, ground floor BG-1766 Vitosha  
Region, Sofia, Bulgaria

(540)Madrid Application



(511) 01, 02, 03, 04, 05, 09, 17, 24, 30, 37, 40 and  
42

(210) No. M/1822329

(220) 18/06/2024

(732) SYENSQO

Rue de la Fusée 98 B-1130 Bruxelles,  
Belgium

(540)Madrid Application

**GOLDWIN**

(511) 35

(210) No. M/1822379

(220) 26/08/2024

(732) GOLDWIN INC.

210 Kiyosawa, Oyabe-shi Toyama-ken  
932-0112, Japan

(540)Madrid Application

**TELEFUNKEN**

(511) 03, 08 and 21

(210) No. M/1822422

(220) 28/03/2024

(732) TELEFUNKEN Licenses GmbH

Bockenheimer Landstraße 101 60325  
Frankfurt am Main, Germany



(540)Madrid Application

**Ola Diego**

(511) 09, 28 and 41

(210) No. M/1822448

(220) 12/07/2024

(732) EGT DIGITAL LTD.

"Panorama Sofia" Str. 6, Business Center

"Richhill", block A BG-1766 Sofia, Bulgaria

## ພາກທີ IV

### (Part IV)

#### ເຄື່ອງໝາຍການຄ້າຜ່ານລະບົບມາດຣິດ

#### Trademarks via Madrid Protocol

### 2. ຜົນການຈົດທະບຽນ

#### (Registration)

##### ຄໍາອະທິບາຍກ່ຽວກັບລະຫັດຫຍໍ້

##### (Introduction of Codes)

- (540) ເຄື່ອງໝາຍການຄ້າ (Trademark)
- (511) ໝວດ (Nice Classification)
- (210) ເລກທີ ຄໍາຮ້ອງ (Number of the application)
- (220) ວັນທີ ຍື່ນຄໍາຮ້ອງ (Date of filing of the application)
- (732) ຊື່ ແລະ ທີ່ຢູ່ ຂອງຜູ້ຍື່ນຄໍາຮ້ອງ (Name and Address of applicant)
- (111) ເລກທີການຈົດທະບຽນເຄື່ອງໝາຍການຄ້າ (Number of the registration)
- (180) ວັນໝົດອາຍຸຂອງການຈົດທະບຽນ (Expiration date of the registration)

(540) Madrid Registration

(511) 33

(210) No. M/1773237

(220) 12/12/2023

(732) Guizhou Zhen Liquor Brewing Co., Ltd.  
Shizipu, North Suburb, Huichuan District,  
Zunyi City Guizhou Province, China

(111) No. M/1773237

(180) 12/12/2033

(540) Madrid Registration

(511) 25, 32 and 33

(210) No. M/1773453

(220) 14/12/2023

(732) Heineken Brouwerijen B.V.  
Tweede Weteringplantsoen 21 NL-1017 ZD  
Amsterdam, The Netherlands

(111) No. M/1773453

(180) 14/12/2033

(540) Madrid Registration

(511) 18, 25, 32 and 33

(210) No. M/1774792

(220) 14/12/2023

(732) Heineken Brouwerijen B.V.

Tweede Weteringplantsoen 21 NL-1017 ZD

Amsterdam, The Netherlands

(111) No. M/1774792

(180) 14/12/2033

(540) Madrid Registration

(511) 30

(210) No. M/1776887

(220) 14/12/2023

(732) Guangxi Wuzhou Liubaocha Co., Ltd.

No.1 Aoqili Road, Changzhou District,

Wuzhou City 543103 Guangxi Zhuang

Autonomous Region, China

(111) No. M/1776887

(180) 14/12/2033

(540) Madrid Registration

The logo for SHUMATT, featuring the word in a bold, stylized, blocky font with a slight shadow effect.

(511) 07

(210) No. M/1777675

(220) 12/12/2023

(732) Shenzhen Shumatt Technology Co., Ltd.

1411-1412, Building 13, Qinchengda Plaza,  
Zone 22 of Lingzhiyuan Community, Xin'an  
Street, Baoan District, Shenzhen 518000  
Guangdong, China

(111) No. M/1777675

(180) 12/12/2033

(540) Madrid Registration

The logo for VIASAT, featuring the word in a bold, serif font.

(511) 09 and 42

(210) No. M/0894425

(220) 18/12/2023

(732) ViaSat, Inc.

6155 El Camino Real Carlsbad, CA 92009,  
United States Of America

(111) No. M/0894425

(180) 10/03/2026

(540) Madrid Registration

**JUNICLAIR**

(511) 35, 36, 41 and 45

(210) No. M/1242625

(220) 15/01/2024

(732) Fondation JUNICLAIR

4-6 rue du Fort Rheinsheim L-2419

Luxembourg

(111) No. M/1242625

(180) 23/07/2024

(540) Madrid Registration

**HONOR CHOICE**

(511) 06, 07, 08, 09, 10, 11, 12, 14, 18, 20, 21, 28  
and 35

(210) No. M/1545476

(220) 29/12/2023

(732) Honor Device Co., Ltd.

Suite 3401, Unit A, Building 6, Shum Yip

Sky Park, No. 8089, Hongli West Road,

Xiangmihu Street, Futian District, Shenzhen

518040 Guangdong, China

(111) No. M/1545476

(180) 26/03/2030

(540) Madrid Registration



(511) 32

(210) No. M/1646586

(220) 11/01/2024

(732) Ripe Fruit (Nanjing) Food Inc.

12-1990, Zone A, Service Trade Zone, 268

Lidao Road, Baguazhou Street, Qixia District,

Nanjing Jiangsu, China

(111) No. M/1646586

(180) 11/11/2031

(540) Madrid Registration



(511) 32

(210) No. M/1774482

(220) 03/01/2024

(732) Löwenbräu AG

Nymphenburger Str. 7 80335 München,

Germany

(111) No. M/1774482

(180) 03/01/2034

(540) Madrid Registration

**AIKO** 

(511) 09

(210) No. M/1775044

(220) 22/12/2023

(732) Guangdong Aiko Solar Technology Co., Ltd.

No. 3, Qili Avenue South, Leping Town,

Sanshui District, Foshan City 528000

Guangdong Province, China

(111) No. M/1775044

(180) 22/12/2033

(540) Madrid Registration

**ADA OVERLAND**

(511) 22

(210) No. M/1775278

(220) 28/12/2023

(732) Zhejiang Ada Outdoor Products Co., Ltd.

Floor 1-3, South Factory Building, No. 66,

Dangui South Road, Xicheng Street,

Yongkang City, Jinhua City 321300 Zhejiang

Province, China

(111) No. M/1775278

(180) 28/12/2033



(540) Madrid Registration

The logo for WHAMPOA features a stylized circular emblem on the left, containing a horizontal line and a curved shape, followed by the word "WHAMPOA" in a bold, sans-serif font.

(511) 12

(210) No. M/1775391

(220) 29/12/2023

(732) Huangpu Tyre (Guangzhou) Technology Co.,  
Ltd.

414, Block H, Creativity Building, No. 2,  
Tengfei 2nd Road, (Sino-Singapore  
Guangzhou Knowledge City), Huangpu  
District, Guangzhou Guangdong, China

(111) No. M/1775391

(180) 29/12/2033

(540) Madrid Registration

The logo for 无名缘 (Wumingyuan) consists of the Chinese characters "无名缘" in a bold, stylized font.

(511) 30, 35 and 43

(210) No. M/1775407

(220) 29/12/2023

(732) Harbin Jieshangyuan Catering Management  
Co., Ltd.

Niujia Industrial Park, Harbin Heilongjiang,  
China

(111) No. M/1775407

(180) 29/12/2033

(540) Madrid Registration

BEQUEEN

(511) 03

(210) No. M/1775437

(220) 03/01/2024

(732) Guangdong Quaker Daily Chemical Co., LTD

No. 59,63,67, Xingshan North Road, Baisha

Industrial Park, Zhongluotan Town, Baiyun

District, Guangzhou City 510000 Guangdong

Province, China

(111) No. M/1775437

(180) 03/01/2034

(540) Madrid Registration



(511) 06, 09, 36, 39 and 42

(210) No. M/1776279

(220) 31/12/2023

(732) SESAMI CASH MANAGEMENT

TECHNOLOGIES CORPORATION

20th FLOOR, 1250 RENÉ-LÉVESQUE

BLVD WEST MONTREAL, Q.C. H3B4W8,

CANADA

(111) No. M/1776279

(180) 31/12/2033

(540) Madrid Registration



(511) 03

(210) No. M/1776653

(220) 15/01/2024

(732) Tianjin Yumeijing Group Co., Ltd.

No. 188 Hongqi Road, Nankai District

Tianjin, China

(111) No. M/1776653

(180) 15/01/2034

(540) Madrid Registration



(511) 09

(210) No. M/1776660

(220) 18/12/2023

(732) Zhejiang Pujiang Plum-blossom Lock

Industry Group Co., Ltd.

Zhengzhai Industry Development Zone,

Pujiang 322200 Zhejiang, China

(111) No. M/1776660

(180) 18/12/2033

(540) Madrid Registration

**WESTUL**

(511) 08

(210) No. M/1776674

(220) 19/12/2023

(732) Zhejiang Westul Trading Co., Ltd.

Room 503, Building 5B, Jinhua Information  
Economy Industrial Park, Liyu Road, Xiguan  
Street, Wucheng District, Jinhua City 321000  
Zhejiang Province, China

(111) No. M/1776674

(180) 19/12/2033

(540) Madrid Registration

广益

(511) 44

(210) No. M/1776756

(220) 04/01/2024

(732) Changzhou Guangyi Tem Hospital Co., Ltd.

Building 13, Hehai Second Village, Xinbei  
District, Changzhou City 213022 Jiangsu  
Province, China

(111) No. M/1776756

(180) 04/01/2034

(540) Madrid Registration



(511) 03

(210) No. M/1776769

(220) 15/01/2024

(732) Guangzhou Xika Technology Co., Ltd.

Room 385, No. 2429, Xingang East Road,

Haizhu District, Guangzhou City 510000

Guangdong Province, China

(111) No. M/1776769

(180) 15/01/2034

(540) Madrid Registration



(511) 07 and 17

(210) No. M/1776777

(220) 15/01/2024

(732) Henan Dalin Rubber and Telecommunications

Apparatus Co., Ltd.

No. 1 Donghuan Road, Huixian City,

Xinxiang City 453000 Henan, China

(111) No. M/1776777

(180) 15/01/2034

(540) Madrid Registration

The logo for YOOZ is displayed in a bold, black, sans-serif font. The letters are slightly irregular, with the 'Y' having a unique shape and the 'O's being circular.

(511) 34

(210) No. M/1776803

(220) 26/12/2023

(732) Bengbu Qiwu Electronic Technology Co.,  
Ltd.

Room 1301, Rongchuang Building, Huaihe  
East Road, Jiefang Street, Longzihu District,  
Bengbu City 233000 Anhui Province, China

(111) No. M/1776803

(180) 26/12/2033

(540) Madrid Registration

The logo for MARU is displayed in a bold, black, serif font. The letters are evenly spaced and have a classic, slightly rounded appearance.

(511) 33

(210) No. M/1776941

(220) 25/12/2023

(732) HAKUTSURU SAKE BREWING CO., LTD.

5-5, Sumiyoshiminami-machi 4-chome,  
Higashinada-ku, Kobe-shi Hyogo 658-0041,  
Japan

(111) No. M/1776941

(180) 25/12/2033

(540) Madrid Registration



(511) 07

(210) No. M/1776956

(220) 04/01/2024

(732) Shandong surui power technology Co., Ltd.

No.C11 Building, High-tech Electronic

Industry Park, Tancheng County, Linyi City

Shandong Province, China

(111) No. M/1776956

(180) 04/01/2034

(540) Madrid Registration



(511) 10

(210) No. M/1776964

(220) 25/12/2023

(732) SUZHOU AND SCIENCE&TECHNOLOGY  
DEVELOPMENT CORP.

NO. 2, ANSHENG ROAD, HEXING,

JINFENG TOWN, ZHANGJIAGANG CITY,

SUZHOU CITY JIANGSU PROVINCE,

CHINA

(111) No. M/1776964

(180) 25/12/2033

(540) Madrid Registration

**VOXA**

(511) 01

(210) No. M/1777836

(220) 18/12/2023

(732) PCG PCC OXYALKYLATES SDN. BHD.

Level 7, Menara Milenium, Jalan Damanlela,  
Pusat Bandar Damansara, Damansara Heights  
50490 Wilayah Persekutuan Kuala Lumpur,  
Malaysia

(111) No. M/1777836

(180) 18/12/2033

(540) Madrid Registration

**Suminato**

(511) 07

(210) No. M/1777946

(220) 28/12/2023

(732) Suminato Co.,Ltd

508, 28-5, Higashi Nihonbashi 2 chome,  
Chuo-ku Tokyo 103-0004, Japan

(111) No. M/1777946

(180) 28/12/2033



(540) Madrid Registration

**TOFAS**

(511) 09, 16 and 41

(210) No. M/1778002

(220) 05/01/2024

(732) SPRIX Inc.

2-2-1, Higashisakanouemachi, Nagaoka-shi

Niigata 940-0066, Japan

(111) No. M/1778002

(180) 05/01/2034

(540) Madrid Registration

**luckin coffee**

(511) 11, 30, 35 and 43

(210) No. M/1679061A

(220) 31/01/2024

(732) LUCKIN COFFEE INTELLECTUAL

PROPERTY (SGP) PTE. LTD.

6 Shenton Way, #37-03, OUE Downtown

Singapore 068809

(111) No. M/1679061A

(180) 10/06/2032

(540) Madrid Registration

**CELLMEN**

(511) 03

(210) No. M/0471883

(220) 01/02/2024

(732) Cellap Laboratoire S.A.

En Budron, A2 CH-1052 Le

Mont-sur-Lausanne, Switzerland

(111) No. M/0471883

(180) 03/09/2032

(540) Madrid Registration

**CELLCOSMET**

(511) 03

(210) No. M/0477940

(220) 01/02/2024

(732) Cellap Laboratoire S.A.

En Budron, A2 CH-1052 Le

Mont-sur-Lausanne, Switzerland

(111) No. M/0477940

(180) 31/05/2033

(540) Madrid Registration

**BIOREPAIR**

(511) 03, 05 and 21

(210) No. M/0991340

(220) 25/01/2024

(732) COSWELL S.p.A.

Via P. Gobetti, 4 I-40050 Funo di Argelato,  
Italy

(111) No. M/0991340

(180) 10/12/2028

(540) Madrid Registration

**Steingraeber**

(511) 15

(210) No. M/1025636

(220) 31/01/2024

(732) Steingraeber & Söhne, Piano- und Flügelabrik  
Kommanditgesellschaft

Friedrichstraße 2 95444 Bayreuth, Germany

(111) No. M/1025636

(180) 14/11/2029

(540) Madrid Registration



(511) 09, 35 and 42

(210) No. M/1461840

(220) 18/01/2024

(732) SHANGHAI XUNMENG INFORMATION  
TECHNOLOGY CO., LTD.  
ROOM 2902-2913, NO.533,  
LOUSHANGUAN ROAD, CHANGNING  
DISTRICT SHANGHAI, CHINA

(111) No. M/1461840

(180) 26/02/2029

(540) Madrid Registration

**LifeWear**

(511) 16

(210) No. M/1511858

(220) 30/01/2024

(732) FAST RETAILING CO., LTD.  
10717-1, Sayama, Yamaguchi City Yamaguchi  
754-0894, Japan

(111) No. M/1511858

(180) 10/12/2029

(540) Madrid Registration



(511) 28, 30 and 41

(210) No. M/1581787

(220) 02/02/2024

(732) FERRERO TRADING LUX S.A.

16, route de Trèves L-2633 Senningerberg,

Luxembourg

(111) No. M/1581787

(180) 29/01/2031

(540) Madrid Registration



(511) 32 and 33

(210) No. M/1593435

(220) 19/01/2024

(732) Carlsberg Breweries A/S

J.C. Jacobsens Gade 1 DK-1799 Copenhagen

V, Denmark

(111) No. M/1593435

(180) 11/03/2031

(540) Madrid Registration

**CytoPep**

(511) 03

(210) No. M/1615796

(220) 01/02/2024

(732) Cellap Laboratoire S.A.

En Budron, A2 CH-1052 Le

Mont-sur-Lausanne, Switzerland

(111) No. M/1615796

(180) 06/07/2031

(540) Madrid Registration

**LifeWear**

(511) 36, 37, 38, 40, 41, 42, 43 and 45

(210) No. M/1701954

(220) 30/01/2024

(732) FAST RETAILING CO., LTD.

10717-1, Sayama, Yamaguchi City Yamaguchi

754-0894, Japan

(111) No. M/1701954

(180) 17/06/2032

(540) Madrid Registration

The logo consists of the letters 'SKG' in a bold, black, sans-serif font. The 'S' and 'K' are connected at the top, and the 'G' is slightly larger and positioned to the right.

(511) 10

(210) No. M/1760310

(220) 09/10/2023

(732) SKG HEALTH TECHNOLOGIES CO.,  
LTD.

23A Floor, Building 3, Zhongke R&D Park,  
No. 009, Gaoxin South 1st Road, High-tech  
Zone Community, Yuehai Street, Nanshan  
District Shenzhen, China

(111) No. M/1760310

(180) 09/10/2033

(540) Madrid Registration



(511) 09, 35, 38 and 42

(210) No. M/1761716

(220) 05/02/2024

(732) ELEMENTARY INNOVATION PTE. LTD.  
6 RAFFLES QUAY, #14-06 SINGAPORE  
048580

(111) No. M/1761716

(180) 19/10/2033

(540) Madrid Registration

**temu**

(511) 09, 35, 38 and 42

(210) No. M/1762260

(220) 05/02/2024

(732) ELEMENTARY INNOVATION PTE. LTD.

6 RAFFLES QUAY, #14-06 SINGAPORE

048580

(111) No. M/1762260

(180) 19/10/2033

(540) Madrid Registration

**MYVU**

(511) 09, 35 and 42

(210) No. M/1767011

(220) 29/01/2024

(732) Hubei Xingji Meizu Group Co., Ltd

No. B1345 Chuanggu Start-up Area, Taizi

Lake Cultural and Digital Creative Industry

Park, No. 18, Shenlong Avenue, Wuhan

Economic and Technological Development

Zone, Wuhan Hubei, China

(111) No. M/1767011

(180) 02/08/2033



(540) Madrid Registration

The logo for GDST, consisting of the letters 'GDST' in a bold, italicized, sans-serif font.

(511) 12

(210) No. M/1775455

(220) 16/01/2024

(732) Anhui Goldenstar Import and Export Co.,  
Ltd.

Room703, 704, 705, Zhenxing Financial

Building, Yu'an District, Lu'an City Anhui

Province, China

(111) No. M/1775455

(180) 16/01/2034

(540) Madrid Registration

The logo for LTP PUPM, consisting of the letters 'LTP PUPM' in a bold, sans-serif font.

(511) 07

(210) No. M/1776670

(220) 16/01/2024

(732) Wuhu GDST Auto Parts Co., Ltd.

11F, Zhongwanzhiyou Industrial Park, No. 1

Hanglangshan Road, Wuhu Hi-tech Industrial

Development Zone, Yijiang District, Wuhu

City Anhui Province, China

(111) No. M/1776670

(180) 16/01/2034

(540) Madrid Registration

**WLN**

(511) 09

(210) No. M/1776762

(220) 15/01/2024

(732) Quan Zhou Kai Li Electronics Co., Ltd

Optoelectronic Information Industry Base,

Xiamei Town, Nanan City 362300 Fujian,

China

(111) No. M/1776762

(180) 15/01/2034

(540) Madrid Registration



(511) 29

(210) No. M/1777758

(220) 30/01/2024

(732) PT Inmas Surya Makmur

Kawasan Industri Kendal, Jalan Saptarengga

No.2A, Kel. Brangsong, Kec. Brangsong,

Kab. Kendal 51372 Jawa Tengah, Indonesia

(111) No. M/1777758

(180) 30/01/2034

(540) Madrid Registration



(511) 29

(210) No. M/1777824

(220) 30/01/2024

(732) PT Inmas Surya Makmur

Kawasan Industri Kendal, Jalan Saptarengga

No.2A, Kel. Brangsong, Kec. Brangsong,

Kab. Kendal 51372 Jawa Tengah, Indonesia

(111) No. M/1777824

(180) 30/01/2034

## ພາກທີ IV

### (Part IV)

## ເຄື່ອງໝາຍການຄ້າຜ່ານລະບົບມາດຣິດ

## Trademarks via Madrid Protocol

### 3. ຜົນການຕໍ່ອາຍຸ

#### (Renewal)

#### ຄຳອະທິບາຍກ່ຽວກັບລະຫັດຫຍໍ້

#### (Introduction of Codes)

- (540) ເຄື່ອງໝາຍການຄ້າ (Trademark)
- (511) ໝວດ (Nice Classification)
- (210) ເລກທີ ຄຳຮ້ອງ (Number of the application)
- (220) ວັນທີ ຍື່ນຄຳຮ້ອງ (Date of filing of the application)
- (732) ຊື່ ແລະ ທີ່ຢູ່ ຂອງຜູ້ຍື່ນຄຳຮ້ອງ (Name and Address of applicant)
- (111) ເລກທີການຈົດທະບຽນເຄື່ອງໝາຍການຄ້າ (Number of the registration)
- (180) ການຕໍ່ອາຍຸຂອງການຈົດທະບຽນ (Expiration date of the renewal)

**ພາກທີ IV**

**(Part IV)**

**ເຄື່ອງໝາຍການຄ້າຜ່ານລະບົບມາດຣິດ**

**Trademarks via Madrid Protocol**

**4. ການປ່ຽນແປງ**

**(Changes)**

**ພາກທີ IV**

**(Part IV)**

**ເຄື່ອງໝາຍການຄ້າຜ່ານລະບົບມາດຣິດ**

**Trademarks via Madrid Protocol**

**5. ການດັດແກ້**

**(Amendments)**

ພາກທີ V  
(Part V)  
ຖິ່ນກຳເນີດ  
**Geographical Indications**

1. ຄຳຮ້ອງ  
(Applications)

ພາກທີ V  
(Part V)  
ຖິ່ນກຳເນີດ  
**Geographical Indications**

2. ຜົນການຈົດທະບຽນ  
(Registration)



ພາກທີ V  
(Part V)  
ຖິ່ນກຳເນີດ  
**Geographical Indications**

2.1 ຜົນການຈົດທະບຽນ ຜ່ານລະບົບສາກົນ  
(Lisbon Registration)

ພາກທີ V

(Part V)

ຖິ່ນກຳເນີດ

**Geographical Indications**

2.2 ຜົນການຈົດທະບຽນ ຊື່ຖິ່ນກຳເນີດສະເພາະ ຜ່ານລະບົບສາກົນ

**(Lisbon Appellation of Origin Registration)**

**ພາກທີ V**

**(Part V)**

**ຖິ່ນກຳເນີດ**

**Geographical Indications**

**3. ການປ່ຽນແປງ**

**(Changes)**

**ພາກທີ V**  
**(Part V)**  
**ຖິ່ນກຳເນີດ**  
**Geographical Indications**

**4. ການດັດແກ້**  
**(Amendments)**

**ພາກທີ VI**

**(Part VI)**

**ພັນພືດໃໝ່**

**New Plant Varieties**

**1. ຄໍາຮ້ອງ**

**(Applications)**

**ພາກທີ VI**

**(Part VI)**

**ພັນພືດໃໝ່**

**New Plant Varieties**

**2. ຜົນການຈັດທະບຽນ**

**(Registration)**

**ພາກທີ VI**  
**(Part VI)**

**ພັນພືດໃໝ່**  
**New Plant Varieties**

**3. ການປ່ຽນແປງ**  
**(Changes)**

**ພາກທີ VI**

**(Part VI)**

**ພັນພືດໃໝ່**

**New Plant Varieties**

**4. ການດັດແກ້**

**(Amendments)**



**ພາກທີ VII**

**(Part VII)**

**ລິຂະສິດ ແລະ ສິດກ່ຽວຂ້ອງກັບລິຂະສິດ**

**Copyrights and Related Rights**

**1. ການແຈ້ງຂໍ້ມູນ**

**(Notifications)**

**ພາກທີ VII**

**(Part VII)**

**ລິຂະສິດ ແລະ ສິດກ່ຽວຂ້ອງກັບລິຂະສິດ**

**Copyrights and Related Rights**

**2. ການປ່ຽນແປງ**

**(Changes)**

**ພາກທີ VIII**

**(Part VIII)**

**ການແກ້ໄຂຂໍ້ຂັດແຍ່ງທາງດ້ານບໍລິຫານກ່ຽວກັບການຈົດທະບຽນຊັບ**

**ສິນອຸດສາຫະກຳ ແລະ ພັນພືດໃໝ່**

**Administrative Dispute Resolutions on the Registration of  
Industrial Property and New Plant Varieties**

**1. ຜົນການຄັດຄ້ານຄຳຮ້ອງ**

**(Result of Oppositions)**

**ພາກທີ VIII**

**(Part VIII)**

**ການແກ້ໄຂຂໍ້ຂັດແຍ່ງທາງດ້ານບໍລິຫານກ່ຽວກັບການຈັດທະບຽນຊັບ  
ສິນອຸດສາຫະກຳ ແລະ ພັນພືດໃໝ່**

**Administrative Dispute Resolutions on the Registration of  
Industrial Property and New Plant Varieties**

**2. ຜົນການແຈ້ງປະຕິເສດ**

**(Result of Refusals)**

**ພາກທີ VIII**

**(Part VIII)**

**ການແກ້ໄຂຂໍ້ຂັດແຍ່ງທາງດ້ານບໍລິຫານກ່ຽວກັບການຈັດທະບຽນຊັບ  
ສິນອຸດສາຫະກຳ ແລະ ພັນພືດໃໝ່**

**Administrative Dispute Resolutions on the Registration of  
Industrial Property and New Plant Varieties**

**3. ຜົນການຍົກເລີກ ຫຼື ລົບລ້າງ ຂອງການຈັດທະບຽນ  
(Result of Cancellation or Invalidation of Registration)**